

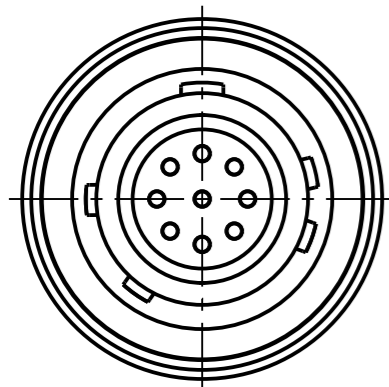
Fuer diese Unterlage behalten wir uns alle Rechte vor, auch fuer den Fall der Patenterteilung oder Gebrauchsmustereintragung. Sie darf ohne unsere vorherige schriftliche Zustimmung weder vervielfaeltigt noch sonstwie benutzt, noch Dritten zuganglich gemacht werden.

Nur rol gestempelte oder auf Laufrarte gedruckte Dokumente unterliegen dem Nachrungsrecht und sind zur Fertigung freigegeben. Only red stamped or on jobcard printed documents are managed. These documents are approved for production.

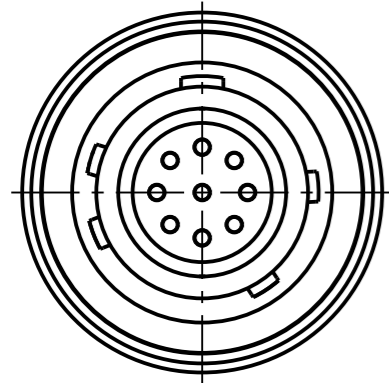
All Rights reserved, including possible patents or trademarks. Documents shall not be provided to a third party or duplicated in any form without prior written permission.

CAD: Creo Parametric

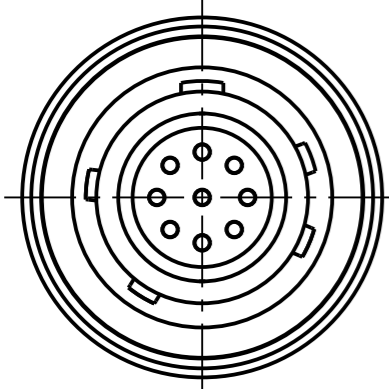
Additional coding
View in direction B
4:1



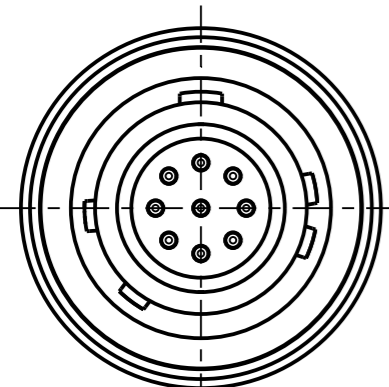
A10YBR-P09XCDO-0000
Mechanical coding: B
Color coding: red



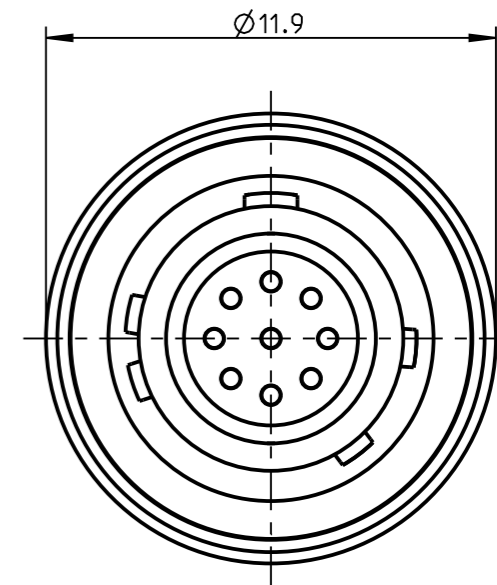
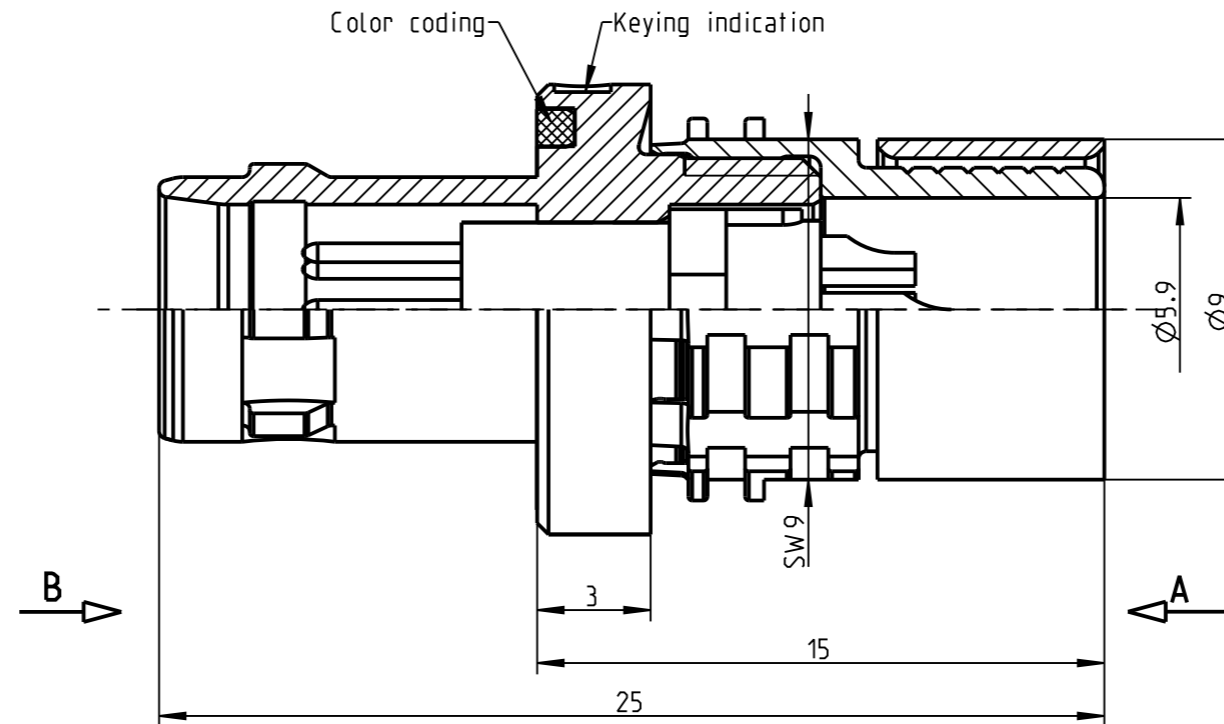
A10YCR-P09XCDO-0000
Mechanical coding: C
Color coding: blue



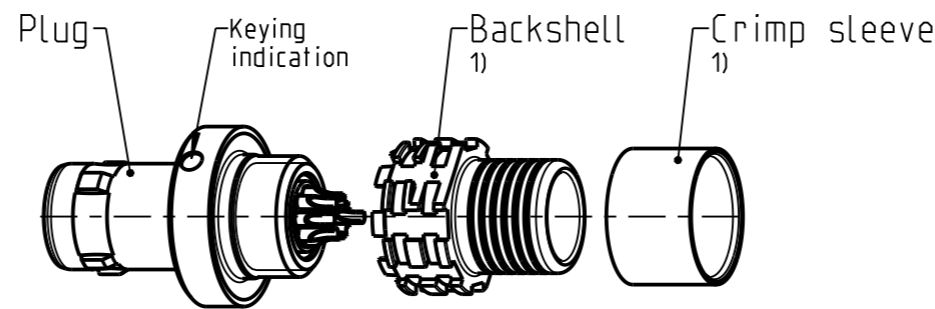
A10YDR-P09XCDO-0000
Mechanical coding: D
Color coding: green



A10YER-P09XCDO-0000
Mechanical coding: E
Color coding: grey

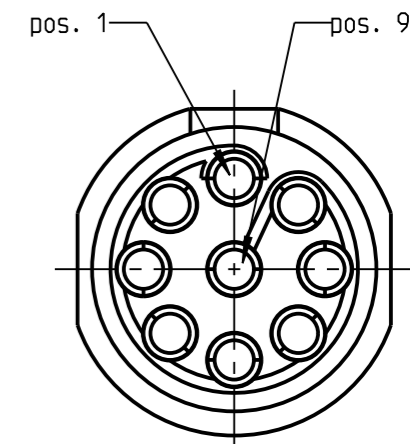


A10YAR-P09XCDO-0000
Mechanical coding: A
Color coding: light brown



Delivery condition
2:1

Only insert
View in direction A
8:1



Technical information


- Max. cable Ø5.5mm (Based on cable with one braided shield)
- Solder contacts: AWG26
- Current load: 5A@Δt40° (Single contact)
3.25A@Δt40° (Insert)
- Test voltage: 600V (acc. SAE AS 1344:1998, Contact to contact)
- Rated voltage: 200V (acc. SAE AS 1344:1998) 2)

- For more technical information and accessories see catalogue (www.odu.de/amc)

1) For crimp information, torque, etc. see assembly instruction 010.645.001.000.004 (www.odu.de/amc/assembly)

2) Maximal operating voltage at sea level up to 2.000m. Rated voltage applies no other electrical safety standard. In case other standards rule a specific use of the connector, the application specific safety criteria shall be considered first. This must be evaluated in the frame of equipment engineering.

Bei den hier dargestellten ODU-Steckverbindern handelt es sich nach DIN EN 61984:2009 um Steckverbinder ohne Schaltleistung (COC) ! /the pictured ODU-connectors are in relation to DIN EN 61984:2009 connectors without switching capacity (COC) !

 A PERFECT ALLIANCE.		Benennung/description: Break-Away Plug AMC Standard Version		Werkstoff: material: see BOM
Allgemeintoleranz/general tol.: DIN ISO 2768-mH Tolerierung / Tolerancing: DIN ISO 8015		CAD-Nr.: design-ID: 00050221		Maßstab: scale: 5:1
Status/state: Approved		Version: revision: A		Format: size: A3
Erstellt/prepared 12.09.2011 mmeier		Teile-ID: part-ID: A10Y.R-P09XCDO-0000		Einheit: dim.: mm
Geändert/revised 05.12.2016 cmeindl		Oxaion-Nr.: A10Y.R-P09XCDO-0000		Bl.: sheet: 1
Freigabe/released 08.12.2016 jweigand		Ursprung/origin.:		
ODU-MUEHL DORF Datum/date		Name/name		

Mouser Electronics

Authorized Distributor

Click to View Pricing, Inventory, Delivery & Lifecycle Information:

[ODU USA:](#)

[A10YAR-P09XCDO-0000](#)