



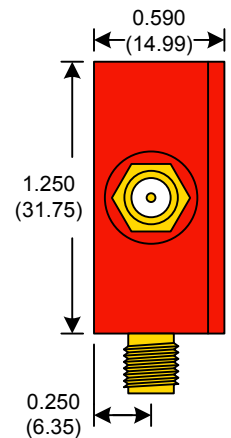
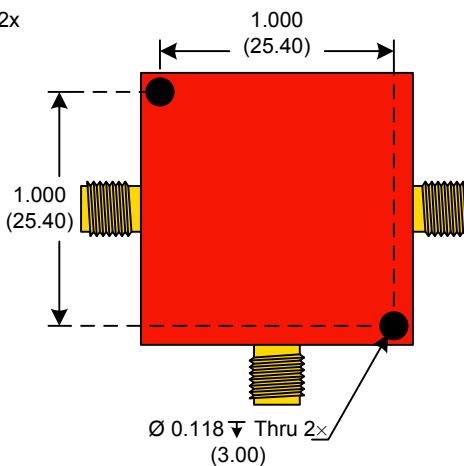
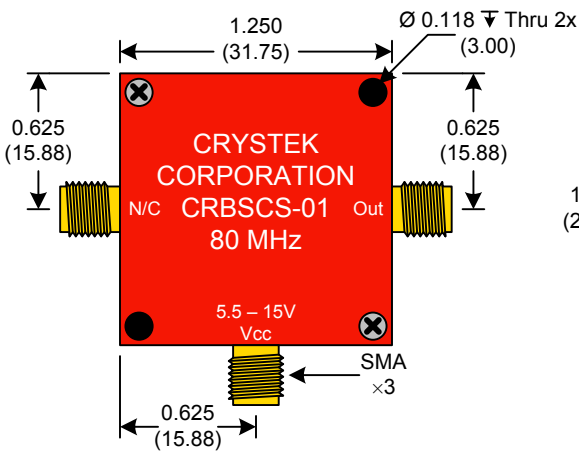
<b>Frequency:</b>	80.000 MHz
<b>Temperature Range:</b>	-40°C to 85°C
<b>Input Voltage:</b>	+5.5 V to +15 V
<b>Input Current:</b>	30 mA Max
<b>Output:</b>	TrueSineWave
<b>Frequency Stability:</b>	±25 ppm Max
<b>Output Power:</b>	+10 dBm Typical
<b>Start-up Time:</b>	2 ms Typical, 5 ms Max
<b>Load:</b>	50 Ω
<b>2<sup>nd</sup> Harmonic:</b>	-25 dBc Max
<b>Sub-Harmonics:</b>	None
<b>Period Jitter:</b> (20,000 periods)	<5 ps RMS (1-sigma) Max
<b>Phase Jitter:</b> 12 kHz ~ 20 MHz	<1 ps RMS (1-sigma) Max
50 kHz ~ 80 MHz	<1 ps RMS (1-sigma) Max
<b>Phase Noise Typical:</b>	
10 Hz	-80 dBc/Hz
100 Hz	-115 dBc/Hz
1 kHz	-140 dBc/Hz
10 kHz	-155 dBc/Hz
100 kHz	-170 dBc/Hz
1 MHz	-170 dBc/Hz
<b>Aging:</b>	<3 ppm 1 <sup>st</sup> year, <1 ppm every year thereafter



FRONT

BACK

SIDE



● Unless otherwise specified, Dimensions are in:  $\frac{IN}{(mm)}$

<b>Product Control:</b>			
Crystek Part Number:	CRBSCS-01-80.000	Release Date:	16-Jul-2015
Revision Level:	B	Responsible:	C. Vales

# Mouser Electronics

Authorized Distributor

Click to View Pricing, Inventory, Delivery & Lifecycle Information:

[Crystek:](#)

[CRBSCS-01-80.000](#)