

BLM7G1822S-80PB; BLM7G1822S-80PBG

LDMOS 2-stage power MMIC

Rev. 3 — 13 September 2018

AMPLEON

Product data sheet

1. Product profile

1.1 General description

The BLM7G1822S-80PB(G) is a dual section, 2-stage power MMIC using Ampleon's state of the art GEN7 LDMOS technology. This multiband device is perfectly suited as general purpose driver or small cell final in the frequency range from 1805 MHz to 2170 MHz. Available in gull wing or straight lead outline.

Table 1. Performance

Typical RF performance at $T_{case} = 25\text{ }^{\circ}\text{C}$. Test signal: 3GPP test model 1; 64 DPCH; PAR = 9.9 dB at 0.01 % probability on CCDF; per section unless otherwise specified in a class-AB production circuit.

Test signal	f (MHz)	I _{Dq1} [1] (mA)	I _{Dq2} [1] (mA)	V _{DS} (V)	P _{L(AV)} (W)	G _p (dB)	η _D (%)	ACPR _{5M} (dBc)
single carrier W-CDMA	2167.5	80	240	28	8	28	24	-36

[1] I_{Dq1} represents driver stage; I_{Dq2} represents final stage.

1.2 Features and benefits

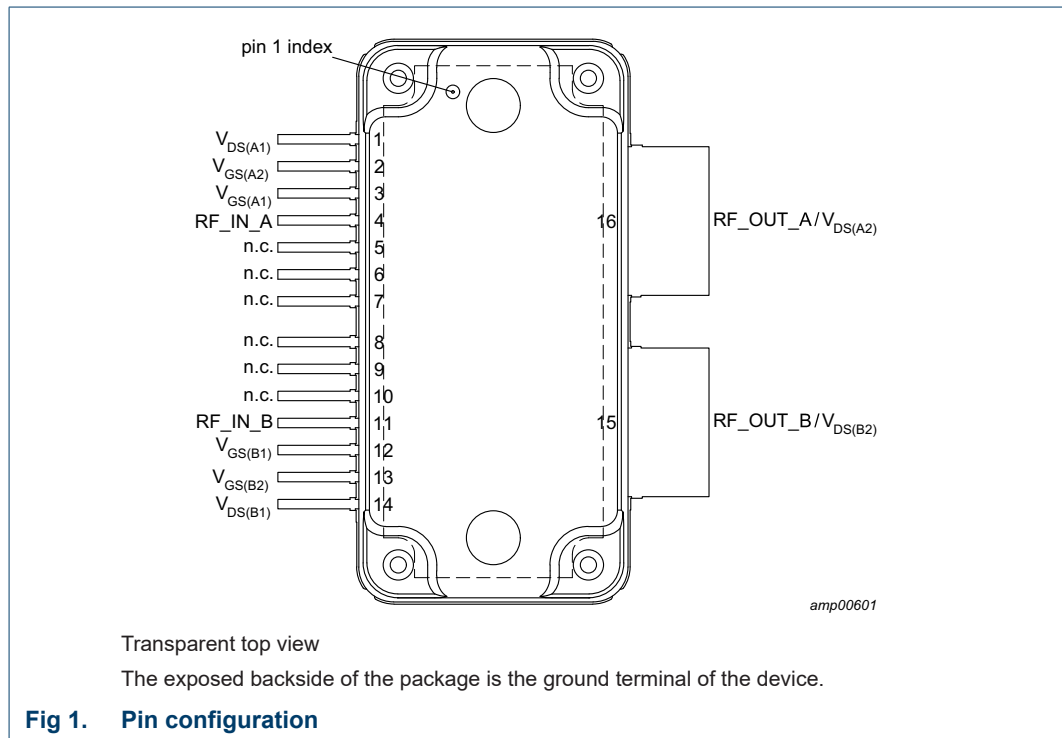
- Designed for broadband operation (frequency 1805 MHz to 2170 MHz)
- High section-to-section isolation enabling multiple combinations
- Integrated temperature compensated bias
- Biasing of individual stages is externally accessible
- Integrated ESD protection
- Excellent thermal stability
- High power gain
- On-chip matching for ease of use
- For RoHS compliance see the product details on the Ampleon website

1.3 Applications

- RF power MMIC for W-CDMA base stations in the 1805 MHz to 2170 MHz frequency range. Possible circuit topologies are the following as also depicted in [Section 8.1](#):
 - ◆ Dual section or single ended
 - ◆ Doherty
 - ◆ Quadrature combined
 - ◆ Push-pull

2. Pinning information

2.1 Pinning



2.2 Pin description

Table 2. Pin description

Symbol	Pin	Description
$V_{DS(A1)}$	1	drain-source voltage of section A, driver stage (A1)
$V_{GS(A2)}$	2	gate-source voltage of section A, final stage (A2)
$V_{GS(A1)}$	3	gate-source voltage of section A, driver stage (A1)
RF_IN_A	4	RF input section A
n.c.	5	not connected
n.c.	6	not connected
n.c.	7	not connected
n.c.	8	not connected
n.c.	9	not connected
n.c.	10	not connected
RF_IN_B	11	RF input section B
$V_{GS(B1)}$	12	gate-source voltage of section B, driver stage (B1)
$V_{GS(B2)}$	13	gate-source voltage of section B, final stage (B2)
$V_{DS(B1)}$	14	drain-source voltage of section B, driver stage (B1)

Table 2. Pin description ...continued

Symbol	Pin	Description
RF_OUT_B/ $V_{DS(B2)}$	15	RF output section B / drain-source voltage of section B, final stage (B2)
RF_OUT_A/ $V_{DS(A2)}$	16	RF output section A / drain-source voltage of section A, final stage (A2)
GND	flange	RF ground

3. Ordering information

Table 3. Ordering information

Type number	Package		Version
	Name	Description	
BLM7G1822S-80PB	-	plastic, heatsink small outline package; 16 leads (flat)	SOT1211-3
BLM7G1822S-80PBG	-	plastic, heatsink small outline package; 16 leads	SOT1212-3

4. Block diagram

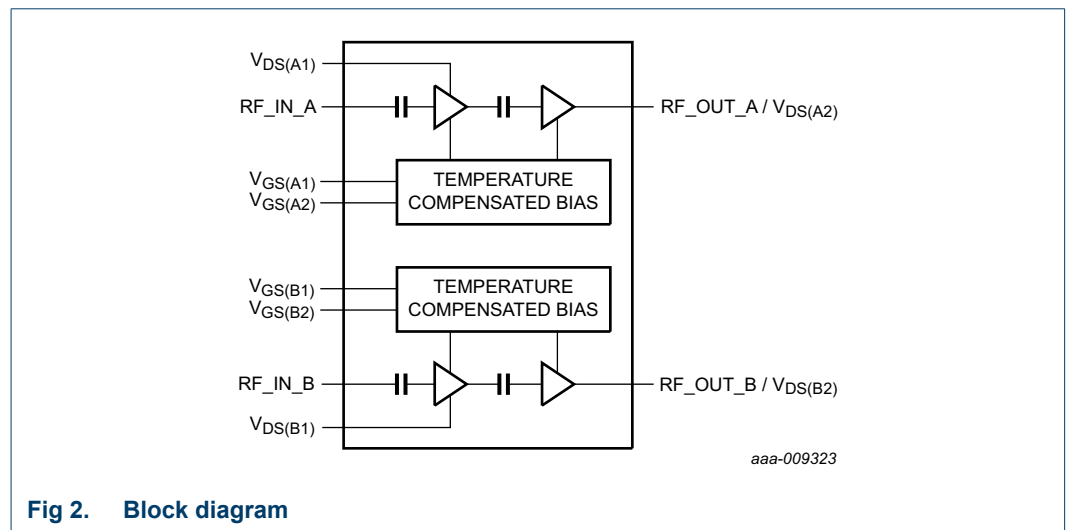


Fig 2. Block diagram

5. Limiting values

Table 4. Limiting values

In accordance with the Absolute Maximum Rating System (IEC 60134).

Symbol	Parameter	Conditions	Min	Max	Unit
V_{DS}	drain-source voltage		-	65	V
V_{GS}	gate-source voltage		-0.5	+13	V
T_{stg}	storage temperature		-65	+150	°C
T_j	junction temperature	[1]	-	225	°C
T_{case}	case temperature		-	150	°C

[1] Continuous use at maximum temperature will affect the reliability. For details refer to the online MTF calculator.

6. Thermal characteristics

Table 5. Thermal characteristics

Measured for total device.

Symbol	Parameter	Conditions	Value	Unit
R _{th(j-c)}	thermal resistance from junction to case	final stage; T _{case} = 90 °C; P _L = 5.04 W [1]	0.8	K/W
		driver stage; T _{case} = 90 °C; P _L = 5.04 W [1]	2.8	K/W

[1] When operated with a CW signal.

7. Characteristics

Table 6. DC characteristics

T_{case} = 25 °C; per section unless otherwise specified.

Symbol	Parameter	Conditions	Min	Typ	Max	Unit
Final stage						
V _{(BR)DSS}	drain-source breakdown voltage	V _{GS} = 0 V; I _D = 0.604 mA	65	-	-	V
V _{GSq}	gate-source quiescent voltage	V _{DS} = 28 V; I _D = 240 mA	1.6	2.0	2.5	V
		V _{DS} = 28 V; I _D = 240 mA [1]	2.1	2.8	3.6	V
ΔI _{Dq} /ΔT	quiescent drain current variation with temperature	-40 °C ≤ T _{case} ≤ +85 °C [1]	-	2	-	%
I _{DSS}	drain leakage current	V _{GS} = 0 V; V _{DS} = 28 V	-	-	1.4	μA
I _{DSX}	drain cut-off current	V _{GS} = 5.65 V; V _{DS} = 10 V	-	11	-	A
I _{GSS}	gate leakage current	V _{GS} = 1.0 V; V _{DS} = 0 V	-	-	140	nA
Driver stage						
V _{(BR)DSS}	drain-source breakdown voltage	V _{GS} = 0 V; I _D = 0.116 mA	65	-	-	V
V _{GSq}	gate-source quiescent voltage	V _{DS} = 28 V; I _D = 80 mA	1.7	2.1	2.6	V
		V _{DS} = 28 V; I _D = 80 mA [2]	2.1	2.7	3.4	V
ΔI _{Dq} /ΔT	quiescent drain current variation with temperature	-40 °C ≤ T _{case} ≤ +85 °C [2]	-	2	-	%
I _{DSS}	drain leakage current	V _{GS} = 0 V; V _{DS} = 28 V	-	-	1.4	μA
I _{DSX}	drain cut-off current	V _{GS} = 5.65 V; V _{DS} = 10 V	-	1.9	-	A
I _{GSS}	gate leakage current	V _{GS} = 1.0 V; V _{DS} = 0 V	-	-	140	nA

[1] In production circuit with 1205 Ω gate feed resistor.

[2] In production circuit with 460 Ω gate feed resistor.

Table 7. RF Characteristics

Typical RF performance at T_{case} = 25 °C; V_{DS} = 28 V; I_{Dq1} = 80 mA (driver stage); P_{L(AV)} = 8 W unless otherwise specified, measured in an Ampleon straight lead production circuit.

Symbol	Parameter	Conditions	Min	Typ	Max	Unit
Test signal: single carrier W-CDMA [1]						
G _p	power gain	f = 1877.5 MHz; I _{Dq2} = 200 mA (final stage)	-	29	-	dB
		f = 2167.5 MHz; I _{Dq2} = 240 mA (final stage)	26.5	28	29.5	dB
η _D	drain efficiency	f = 1877.5 MHz; I _{Dq2} = 200 mA (final stage)	-	26	-	%
		f = 2167.5 MHz; I _{Dq2} = 240 mA (final stage)	18	24	-	%

Table 7. RF Characteristics ...continued

Typical RF performance at $T_{case} = 25\text{ }^{\circ}\text{C}$; $V_{DS} = 28\text{ V}$; $I_{Dq1} = 80\text{ mA}$ (driver stage); $P_{L(AV)} = 8\text{ W}$ unless otherwise specified, measured in an Ampleon straight lead production circuit.

Symbol	Parameter	Conditions	Min	Typ	Max	Unit
RL _{in}	input return loss	f = 1877.5 MHz; I _{Dq2} = 200 mA (final stage)	-	-18	-	dB
		f = 2167.5 MHz; I _{Dq2} = 240 mA (final stage)	-	-20	-10	dB
ACPR _{5M}	adjacent channel power ratio (5 MHz)	f = 1877.5 MHz; I _{Dq2} = 200 mA (final stage)	-	-38	-	dBc
		f = 2167.5 MHz; I _{Dq2} = 240 mA (final stage)	-	-36	-28.5	dBc
PAR _O	output peak-to-average ratio	f = 1877.5 MHz; I _{Dq2} = 200 mA (final stage)	-	8.6	-	dB
		f = 2167.5 MHz; I _{Dq2} = 240 mA (final stage)	4.6	7	-	dB
Test signal: CW [2]						
Δφ _{s21}	phase response difference	between sections	-15	-	+15	deg
Δ s ₂₁ ²	insertion power gain difference	between sections	-0.6	-	+0.6	dB

[1] 3GPP test model 1; 64 DPCH; PAR = 9.9 dB at 0.01 % probability on CCDF.

[2] f = 2170 MHz.

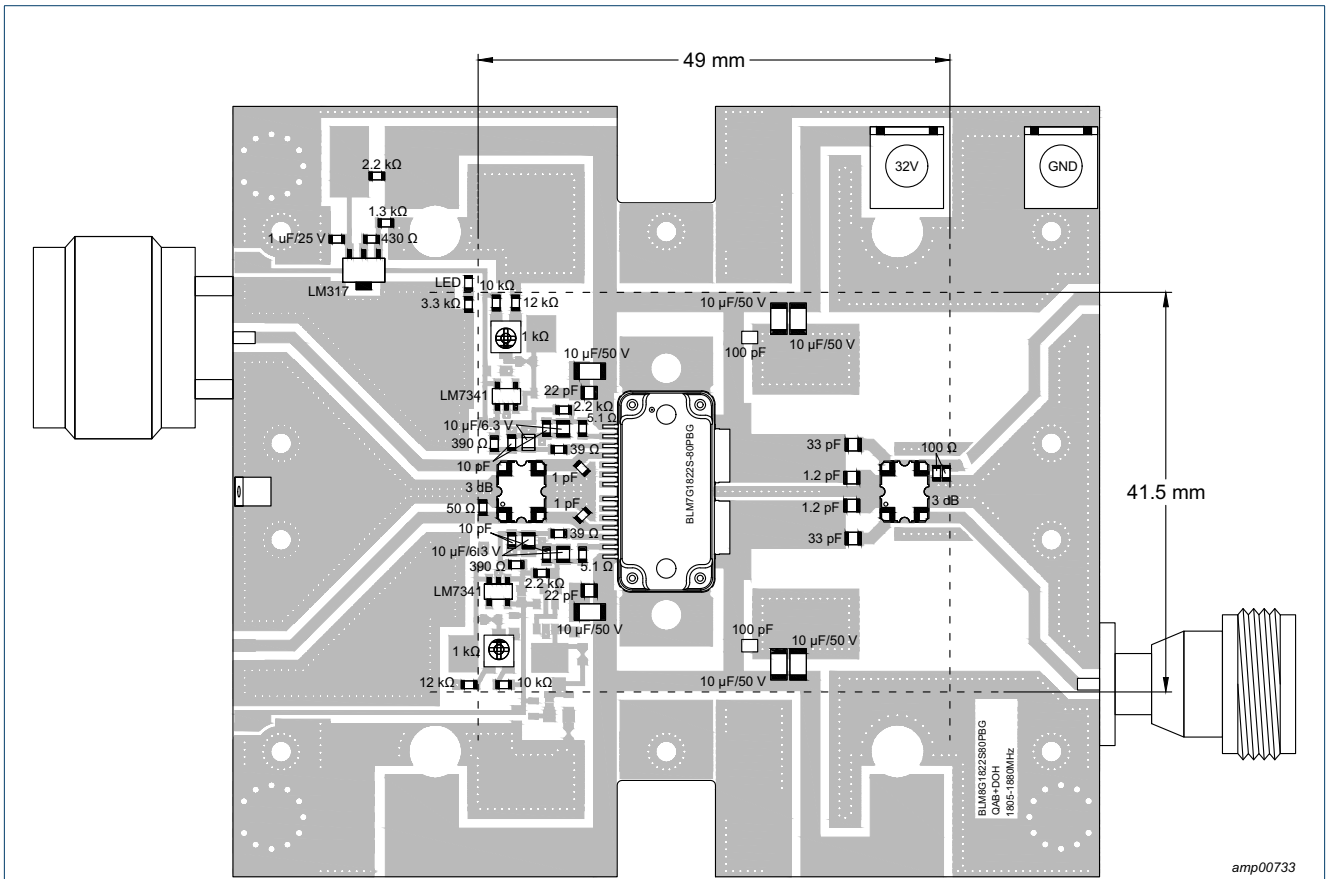
8. Application information

Table 8. Typical performance

$T_{case} = 25\text{ }^{\circ}\text{C}$; $V_{DS} = 32\text{ V}$; $I_{Dq} = 544\text{ mA}$ (driver and final stages); Test signal: 1-carrier W-CDMA; 64 DPCH; PAR = 9.9 dB at 0.01 % probability CCDF; unless otherwise specified, measured in an Ampleon, f = 1805 MHz to 1880 MHz, quadrature combined Class AB application circuit (see [Figure 3](#) and [Figure 4](#)).

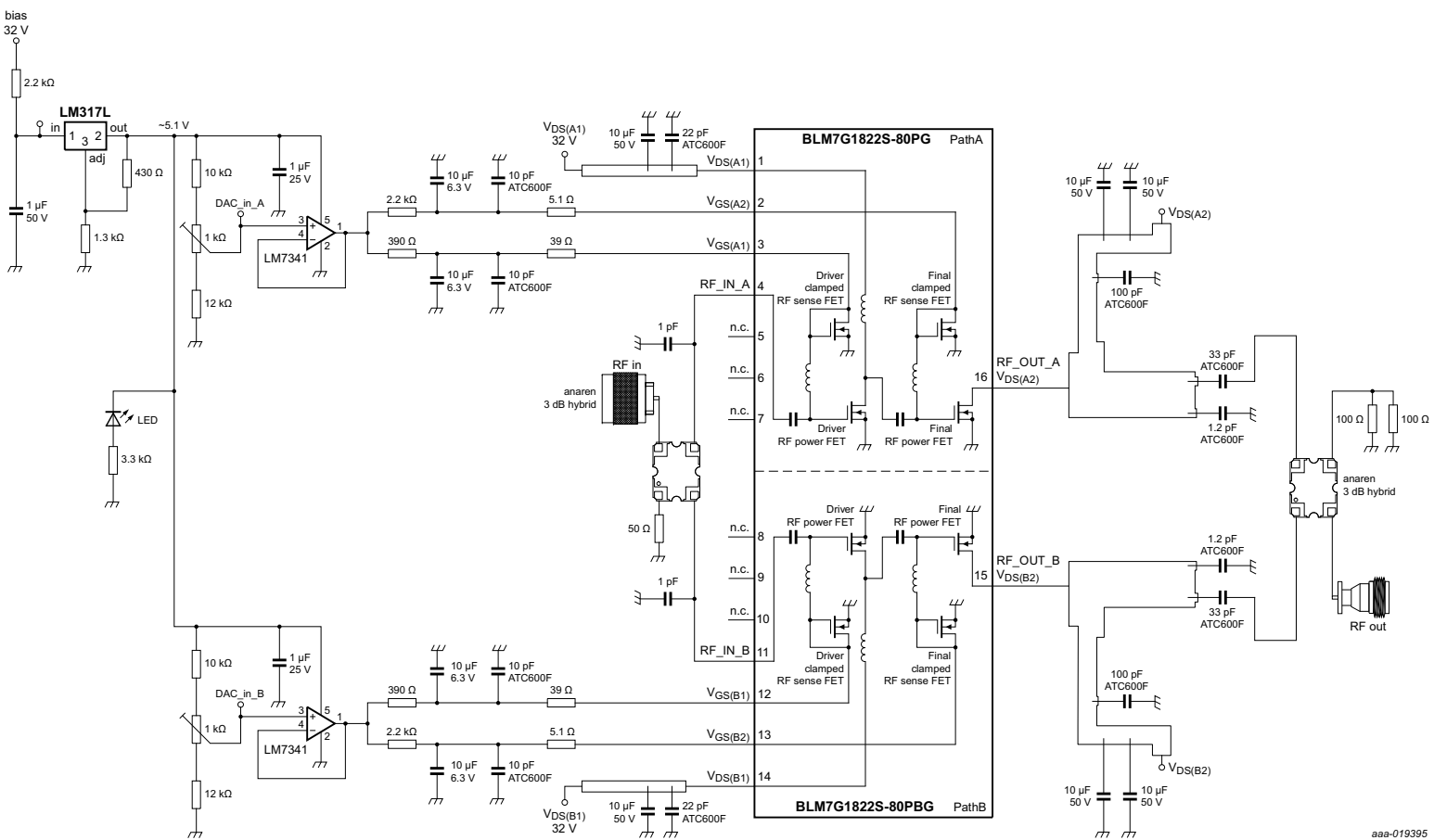
Symbol	Parameter	Conditions	Min	Typ	Max	Unit
P _{L(1dB)}	output power at 1 dB gain compression	f = 1840 MHz	-	48.9	-	dBm
P _{L(3dB)}	output power at 3 dB gain compression	f = 1840 MHz	-	49.6	-	dBm
η _D	drain efficiency	12 dB OBO (P _{L(AV)} = 37.6 dBm); f = 1840 MHz	-	13.7	-	%
G _p	power gain	P _{L(AV)} = 37.6 W; f = 1840 MHz	-	29	-	dB
B _{video}	video bandwidth	P _{L(AV)} = 41.6 W; 2-tone CW; f = 1840 MHz	-	90	-	MHz
G _{flat}	gain flatness	P _{L(AV)} = 37.6 W	-	0.2	-	dB
ΔG/ΔT	gain variation with temperature	f = 1840 MHz	[1]	0.04	-	dB/°C
s ₁₂ ²	isolation	between sections A and B; P _{L(AV)} = 9 dBm; f = 1840 MHz; measured on production board; I _{Dq} = 560 mA (both sections)	-	25	-	dB
K	Rollett stability factor	T _{case} = -40 °C; f = 0.1 GHz to 3 GHz	[1]	> 1	-	

[1] For both sections (S-parameters measured with load-pull jig).



Printed-Circuit Board (PCB): Rogers 4350; thickness = 0.508 mm.

Fig 3. Component layout



aaa-019395

Fig 4. Electrical schematic

8.1 Possible circuit topologies

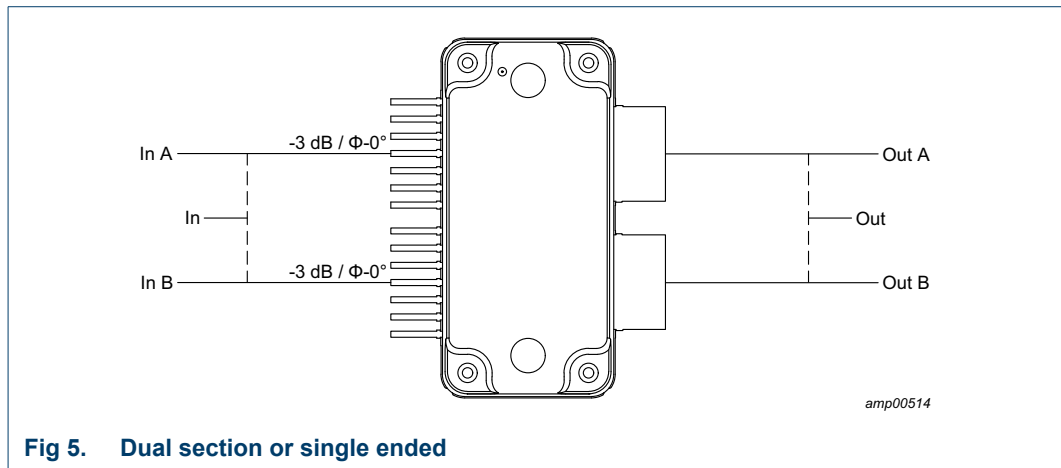


Fig 5. Dual section or single ended

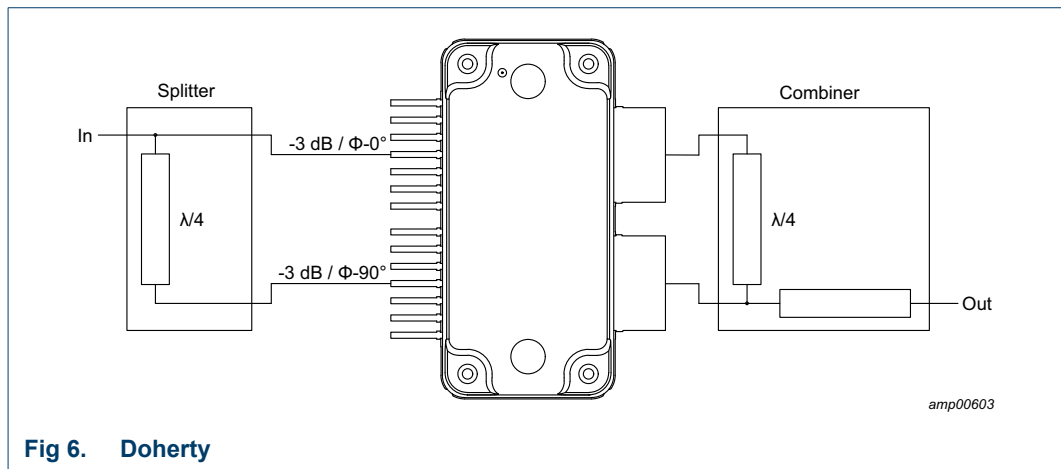


Fig 6. Doherty

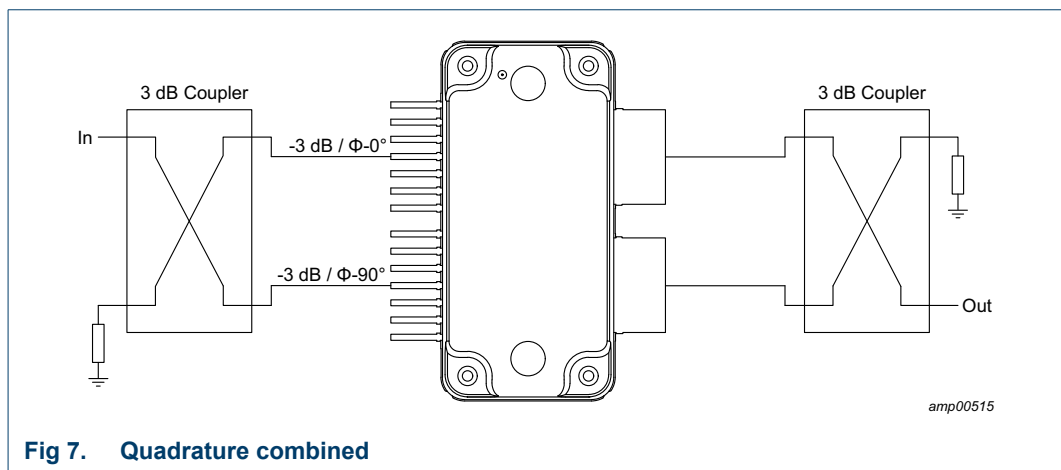


Fig 7. Quadrature combined

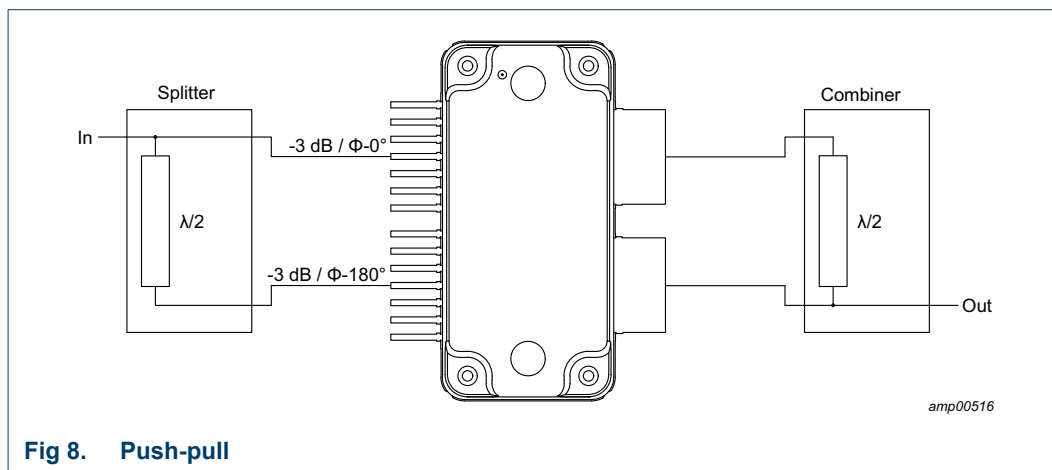


Fig 8. Push-pull

8.2 Ruggedness in class-AB operation

The BLM7G1822S-80PB and BLM7G1822S-80PBG are capable of withstanding a load mismatch corresponding to VSWR = 10 : 1 through all phases under the following conditions: $f = 2140 \text{ MHz}$; $V_{DS} = 32 \text{ V}$; $I_{Dq1} = 80 \text{ mA}$ (each section, driver stage); $I_{Dq2} = 180 \text{ mA}$ (each section, final stage); $P_i = 22 \text{ dBm}$ (each section). P_i is measured at CW and corresponding to $P_{L(3dB)}$ under $Z_S = 50 \Omega$ load.

8.3 Impedance information

Table 9. Typical impedance

Measured load-pull data per section at 3 dB gain compression point; test signal: pulsed CW; $T_{case} = 25 \text{ }^\circ\text{C}$; $V_{DS} = 28 \text{ V}$; $t_p = 100 \text{ } \mu\text{s}$; $\delta = 10 \%$; $Z_S = 50 \Omega$; $I_{Dq1} = 80 \text{ mA}$ (driver stage); $I_{Dq2} = 200 \text{ mA}$ (final stage). Typical values unless otherwise specified.

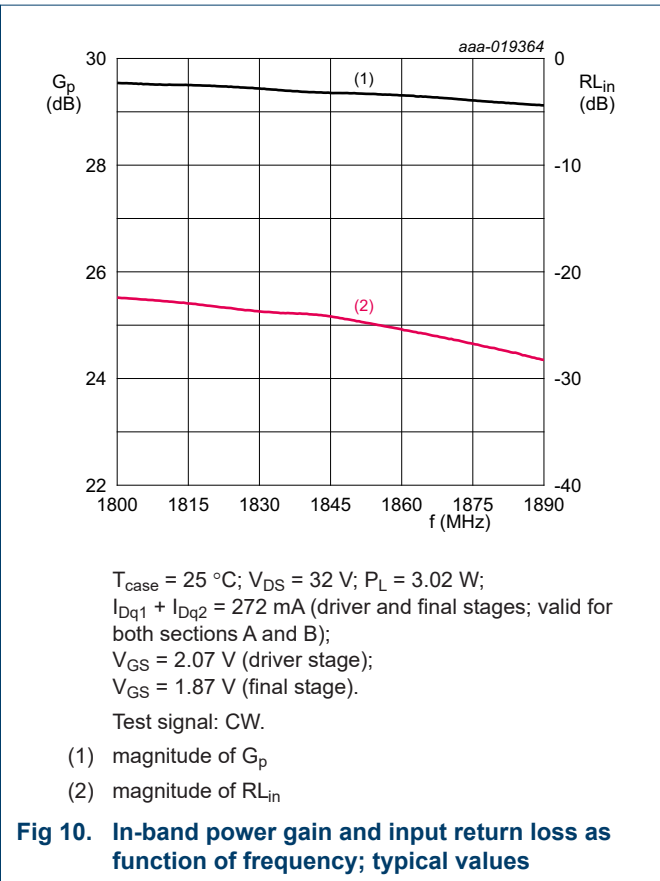
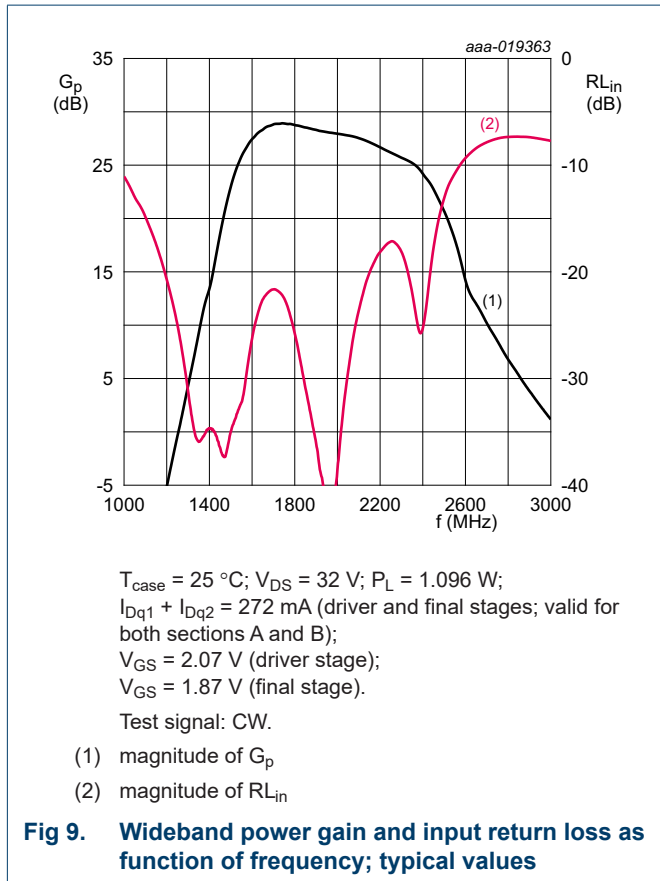
f	tuned for maximum output power					tuned for maximum power added efficiency				
	Z _L	G _{p(max)}	P _L	η_{add}	AM-PM conversion	Z _L	G _{p(max)}	P _L	η_{add}	AM-PM conversion
(MHz)	(Ω)	(dB)	(dBm)	(%)	(deg)	(Ω)	(dB)	(dBm)	(%)	(deg)
BLM7G1822S-80PB										
1810	2.6 – j5.9	29.2	48.6	49.6	-2.7	5.4 – j5.1	30.3	47.4	56.4	-5.6
1840	2.7 – j5.8	29.9	48.5	49.3	-3.8	4.9 – j4.8	30.9	47.5	56.3	-6.2
1880	2.6 – j5.8	29.6	48.5	48.5	-2.4	4.8 – j4.3	30.6	47.4	55.3	-5.0
1930	2.6 – j5.8	29.9	48.4	47.9	-1.1	4.3 – j4.2	30.8	47.4	54.3	-2.9
1960	2.6 – j5.8	29.9	48.4	48.0	-1.0	4.2 – j4.2	30.8	47.5	54.3	-2.2
1990	2.6 – j5.7	29.6	48.3	47.5	-2.1	3.6 – j4.0	30.4	47.4	53.8	-3.9
2110	2.6 – j5.8	29.8	48.3	48.3	-3.6	3.1 – j4.1	30.2	47.4	52.6	-4.7
2140	2.6 – j5.8	29.8	48.3	48.6	-4.1	3.1 – j4.7	30.3	47.6	51.9	-3.9
2170	2.6 – j5.8	29.5	48.2	46.0	-5.4	2.6 – j4.7	30.1	47.5	51.2	-6.4
BLM7G1822S-80PBG										
1810	3.0 – j8.9	29.3	48.4	50.6	-1.7	5.3 – j7.6	30.3	47.5	57.5	-5.3
1840	2.7 – j8.7	29.1	48.3	48.4	-4.4	5.0 – j7.5	30.2	47.5	56.9	-7.5
1880	3.0 – j8.8	29.4	48.4	50.5	-2.3	4.7 – j7.1	30.3	47.4	56.4	-5.1
1930	2.7 – j9.0	29.6	48.4	48.7	-2.7	4.4 – j7.0	30.6	47.4	56.1	-5.5

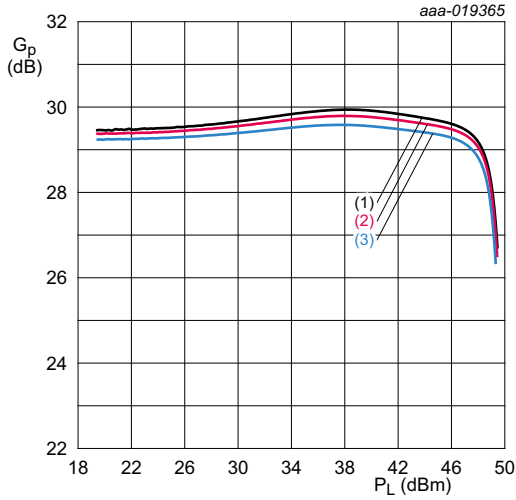
Table 9. Typical impedance ...continued

Measured load-pull data per section at 3 dB gain compression point; test signal: pulsed CW; $T_{case} = 25\text{ }^{\circ}\text{C}$; $V_{DS} = 28\text{ V}$; $t_p = 100\text{ }\mu\text{s}$; $\delta = 10\text{ }\%$; $Z_S = 50\text{ }\Omega$; $I_{Dq1} = 80\text{ mA}$ (driver stage); $I_{Dq2} = 200\text{ mA}$ (final stage). Typical values unless otherwise specified.

f	tuned for maximum output power					tuned for maximum power added efficiency				
	Z _L	G _{p(max)}	P _L	η_{add}	AM-PM conversion	Z _L	G _{p(max)}	P _L	η_{add}	AM-PM conversion
(MHz)	(Ω)	(dB)	(dBm)	(%)	(deg)	(Ω)	(dB)	(dBm)	(%)	(deg)
1960	2.7 - j9.0	29.6	48.4	48.7	-2.7	4.0 - j6.8	30.6	47.4	55.9	-5.3
1990	2.7 - j8.9	29.7	48.4	48.0	-2.0	3.8 - j7.1	30.6	47.5	55.0	-3.7
2110	2.7 - j9.5	29.9	48.5	49.5	-3.4	2.8 - j7.6	30.6	47.6	54.9	-4.2
2140	2.6 - j9.5	29.9	48.3	49.1	-4.0	2.6 - j7.9	30.5	47.6	53.7	-3.2
2170	2.4 - j9.7	29.7	48.3	47.4	-5.5	2.6 - j8.2	30.5	47.7	53.0	-4.6

8.4 Graphs



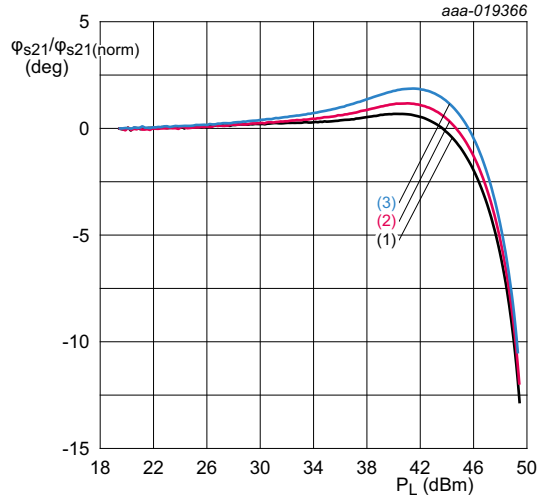


$T_{case} = 25\text{ }^{\circ}\text{C}$; $V_{DS} = 32\text{ V}$;
 $I_{Dq1} + I_{Dq2} = 272\text{ mA}$ (driver and final stages; valid for both sections A and B);
 $V_{GS} = 2.07\text{ V}$ (driver stage);
 $V_{GS} = 1.87\text{ V}$ (final stage).

Test signal: pulsed CW.

- (1) $f = 1805\text{ MHz}$
- (2) $f = 1840\text{ MHz}$
- (3) $f = 1880\text{ MHz}$

Fig 11. Power gain as a function of output power; typical values

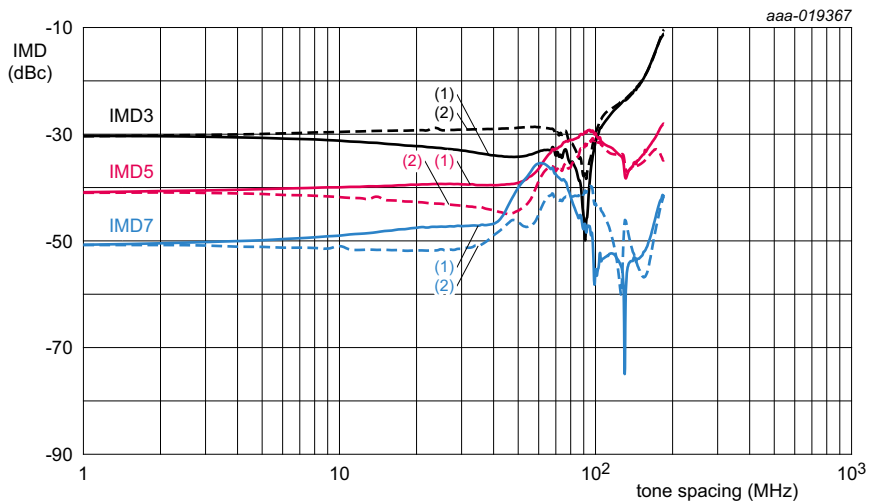


$T_{case} = 25\text{ }^{\circ}\text{C}$; $V_{DS} = 32\text{ V}$;
 $I_{Dq1} + I_{Dq2} = 272\text{ mA}$ (driver and final stages; valid for both sections A and B);
 $V_{GS} = 2.07\text{ V}$ (driver stage);
 $V_{GS} = 1.87\text{ V}$ (final stage).

Test signal: pulsed CW.

- (1) $f = 1805\text{ MHz}$
- (2) $f = 1840\text{ MHz}$
- (3) $f = 1880\text{ MHz}$

Fig 12. Normalized phase response as a function of output power; typical values

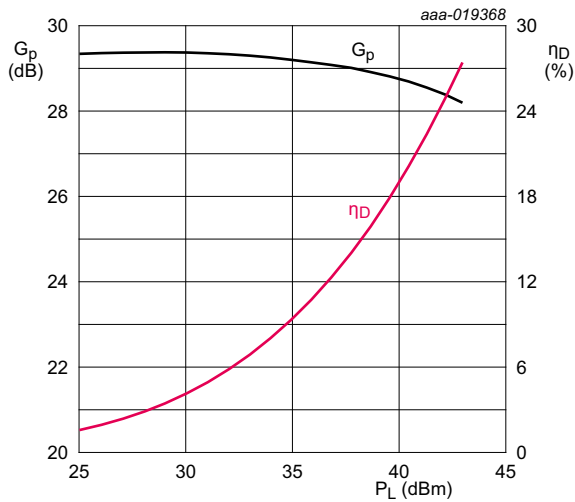


$T_{case} = 25\text{ }^{\circ}\text{C}$; $V_{DS} = 32\text{ V}$; $I_{Dq1} + I_{Dq2} = 272\text{ mA}$ (driver and final stages; valid for both sections A and B);
 $V_{GS} = 2.07\text{ V}$ (driver stage); $V_{GS} = 1.87\text{ V}$ (final stage).

Test signal: 2-tone CW; $f_c = 1840\text{ MHz}$.

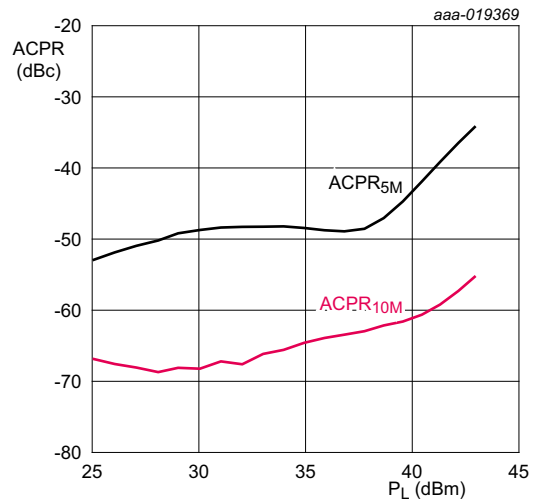
- (1) IMD low
- (2) IMD high

Fig 13. Intermodulation distortion as a function of tone spacing; typical values



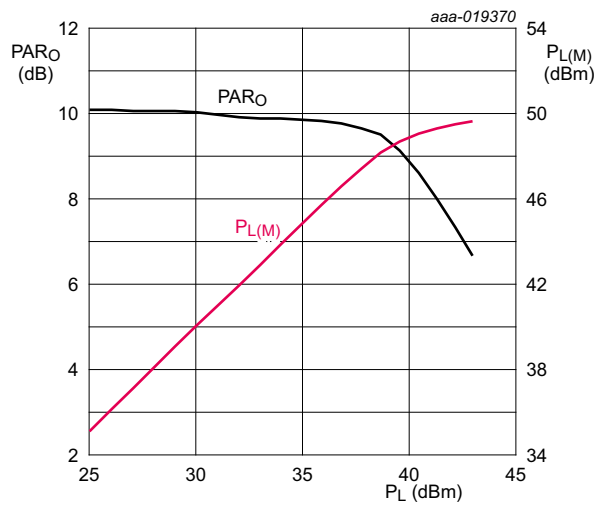
$T_{case} = 25\text{ }^\circ\text{C}$; $V_{DS} = 32\text{ V}$; $f = 1840\text{ MHz}$;
 $I_{Dq1} + I_{Dq2} = 272\text{ mA}$ (driver and final stages; valid for both sections A and B);
 $V_{GS} = 2.07\text{ V}$ (driver stage);
 $V_{GS} = 1.87\text{ V}$ (final stage).
 Test signal: 1-carrier W-CDMA; test model 1; 64 DPCH;
 PAR = 9.9 dB at 0.01 % probability CCDF.

Fig 14. Power gain and drain efficiency as function of output power; typical values



$T_{case} = 25\text{ }^\circ\text{C}$; $V_{DS} = 32\text{ V}$; $f = 1840\text{ MHz}$;
 $I_{Dq1} + I_{Dq2} = 272\text{ mA}$ (driver and final stages; valid for both sections A and B);
 $V_{GS} = 2.07\text{ V}$ (driver stage);
 $V_{GS} = 1.87\text{ V}$ (final stage).
 Test signal: 1-carrier W-CDMA; test model 1; 64 DPCH;
 PAR = 9.9 dB at 0.01 % probability CCDF.

Fig 15. Adjacent channel power ratio as a function of output power; typical values



$T_{case} = 25\text{ }^\circ\text{C}$; $V_{DS} = 32\text{ V}$; $f = 1840\text{ MHz}$; $I_{Dq1} + I_{Dq2} = 272\text{ mA}$ (driver and final stages; valid for both sections A and B);
 $V_{GS} = 2.07\text{ V}$ (driver stage); $V_{GS} = 1.87\text{ V}$ (final stage).
 Test signal: 1-carrier W-CDMA; test model 1; 64 DPCH; PAR = 9.9 dB at 0.01 % probability CCDF.

Fig 16. Output peak-to-average ratio and peak output power as function of output power; typical values

9. Package outline

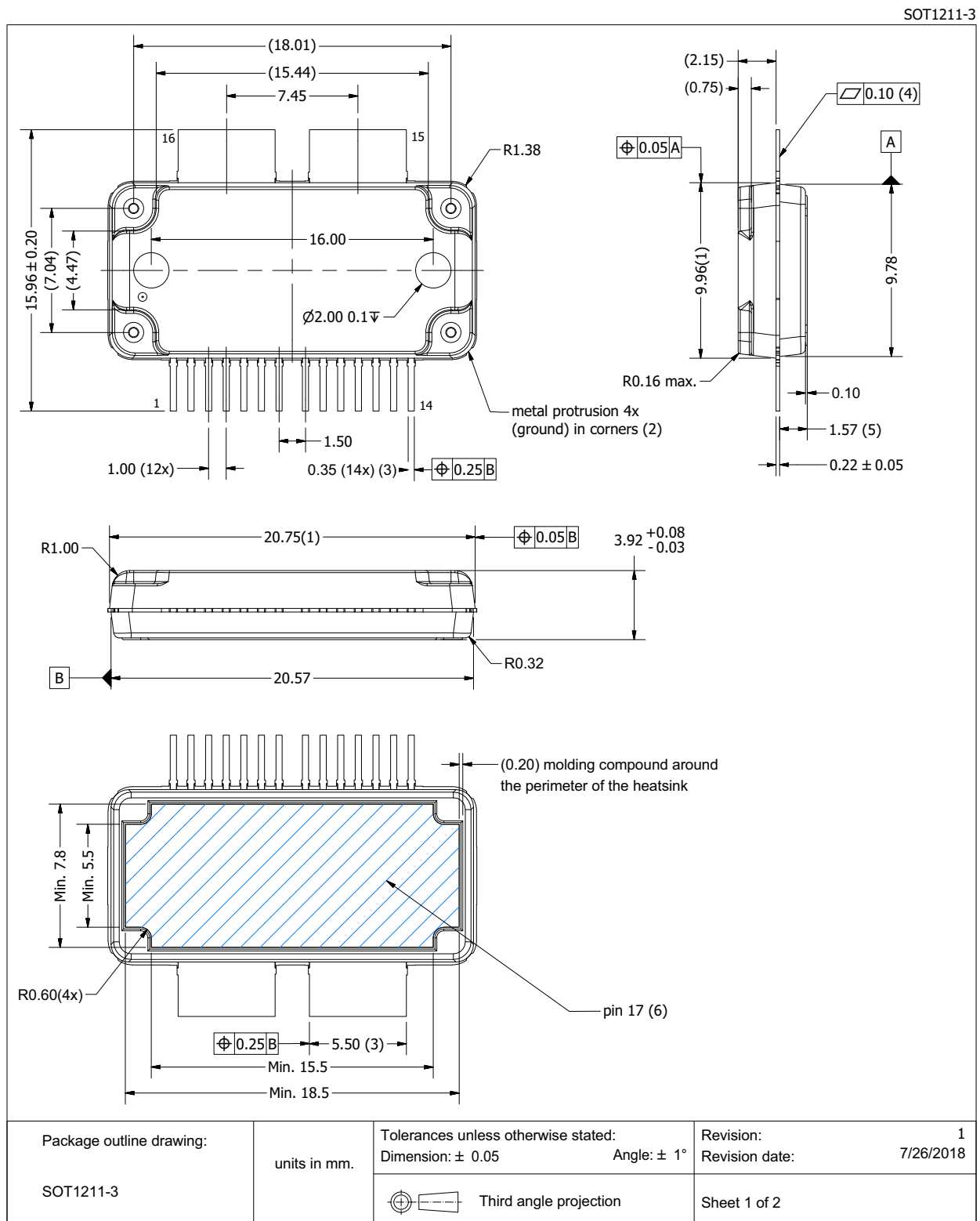
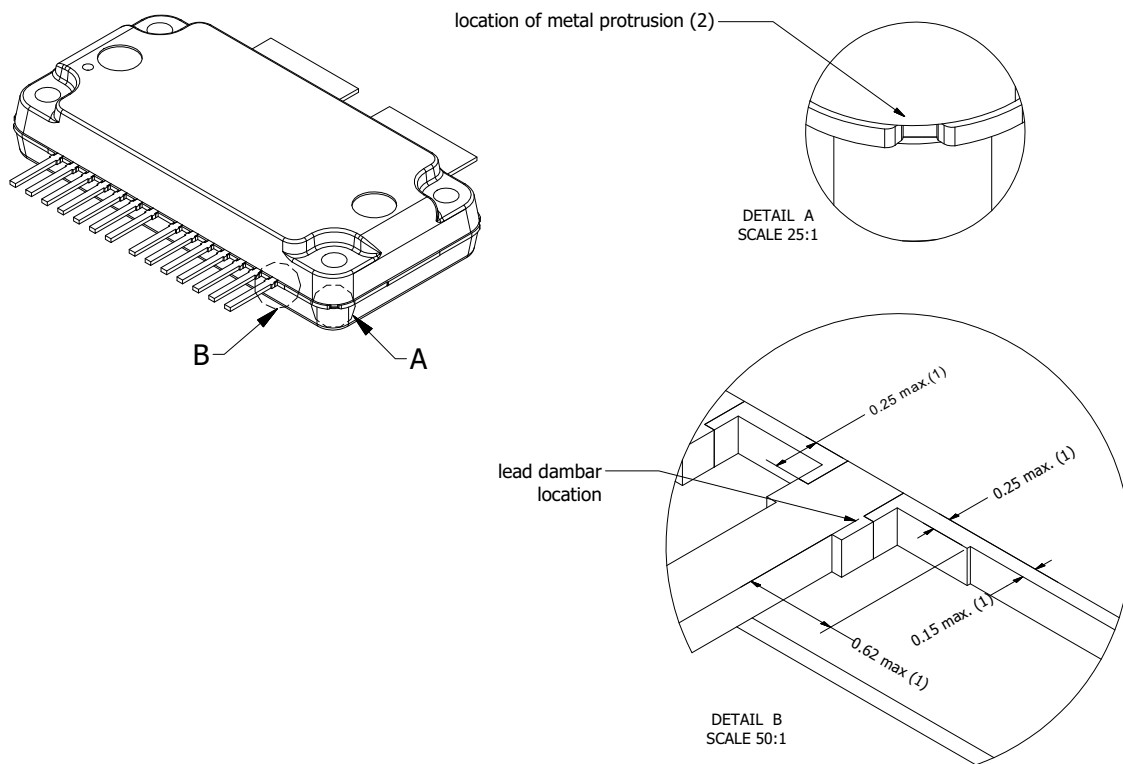


Fig 17. Package outline SOT1211-3 (sheet 1 of 2)

SOT1211-3

Drawing Notes	
Items	Description
(1)	Dimensions are excluding mold protrusion. Areas located adjacent to the leads have a maximum mold protrusion of 0.25 mm (per side) and 0.62 mm max. in length. In between the 14 leads the protrusion is 0.25 mm. max. At all other areas the mold protrusion is maximum 0.15 mm per side. See also detail B.
(2)	The metal protrusion (tie bars) in the corner will not stick out of the molding compound protrusions (detail A).
(3)	The lead dambar (metal) protrusions are not included. Add 0.14 mm max to the total lead dimension at the dambar location.
(4)	The lead coplanarity over all leads is 0.1 mm maximum.
(5)	Dimension is measured 0.5 mm from the edge of the top package body.
(6)	The hatched area indicates the exposed metal heatsink.
(7)	The leads and exposed heatsink are plated with matte Tin (Sn).



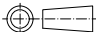
Package outline drawing:	units in mm.	Tolerances unless otherwise stated: Dimension: ± 0.05 Angle: $\pm 1^\circ$	Revision: 1 Revision date: 7/26/2018
SOT1211-3		 Third angle projection	Sheet 2 of 2

Fig 18. Package outline SOT1211-3 (sheet 2 of 2)

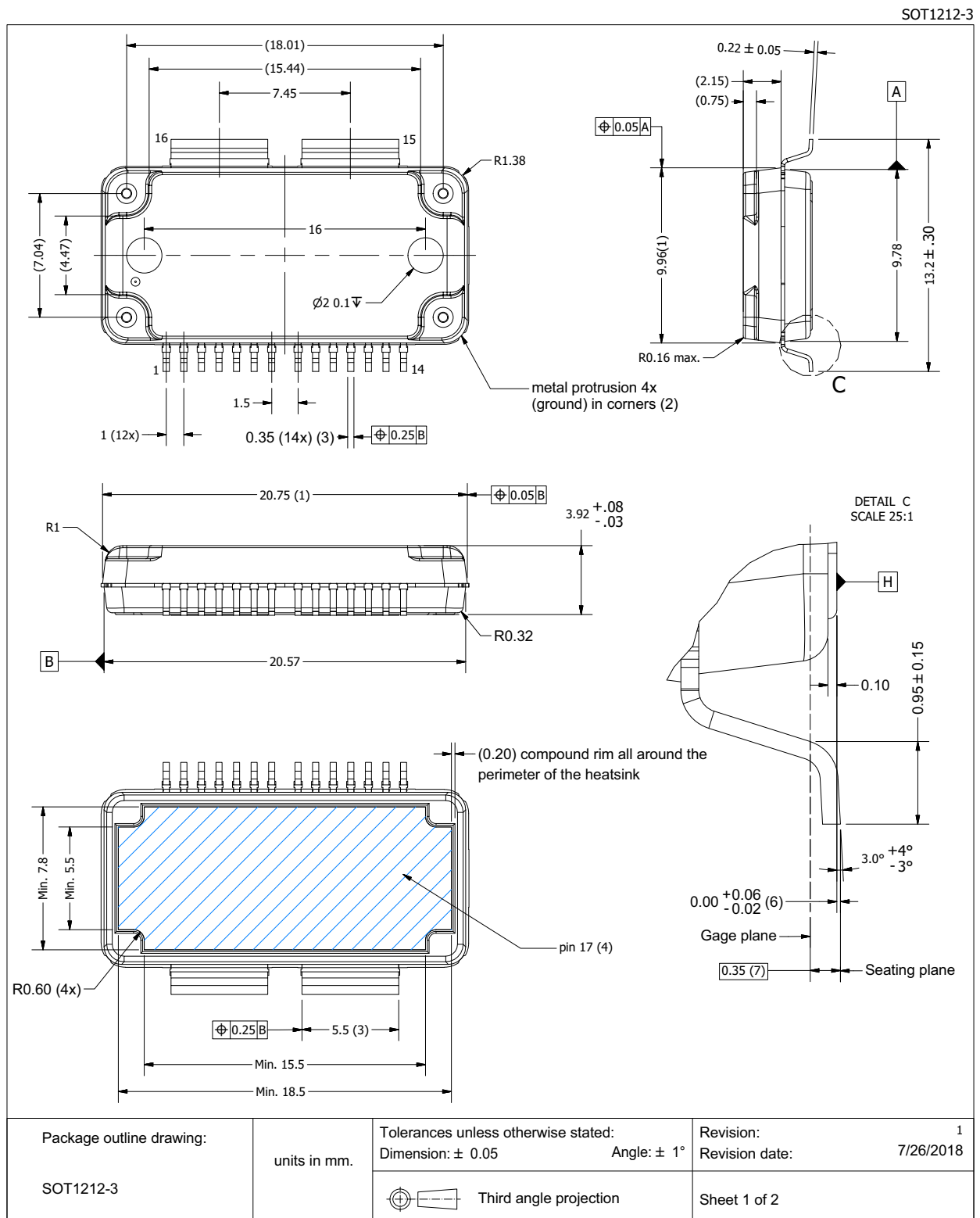
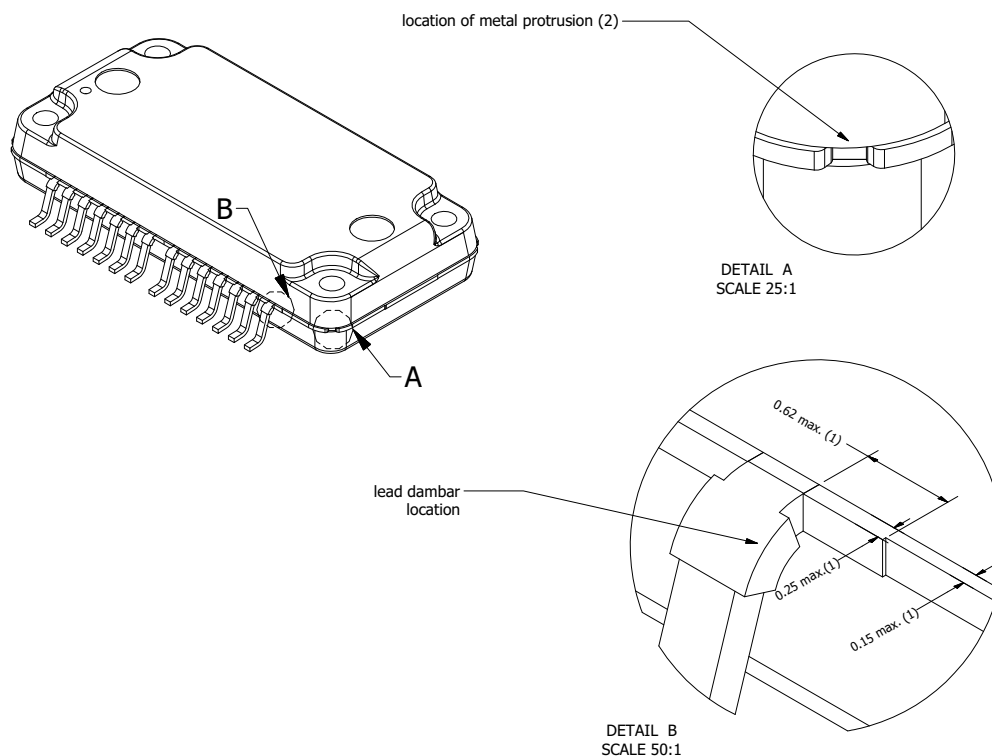


Fig 19. Package outline SOT1212-3 (sheet 1 of 2)

SOT1212-3

Drawing Notes	
Items	Description
(1)	Dimensions are excluding mold protrusion. Areas located adjacent to the leads have a maximum mold protrusion of 0.25 mm (per side) and 0.62 mm max. in length. In between the 14 leads the protrusion is 0.25 mm max. At all other areas the mold protrusion is maximum 0.15 mm per side. See also detail B.
(2)	The metal protrusion (tie bars) in the corner will not stick out of the molding compound protrusions (detail A).
(3)	The lead dambar (metal) protrusions are not included. Add 0.14 mm max to the total lead dimension at the dambar location.
(4)	The hatched area indicated the exposed heatsink.
(5)	The leads and exposed heatsink are plated with matte Tin (Sn).
(6)	Dimension is measured with respect to the bottom of the heatsink Datum H. Positive value means that the bottom of the heatsink is higher than the bottom of the lead.
(7)	Gage plane (foot length) to be measured from the seating plane.



Package outline drawing:	units in mm.	Tolerances unless otherwise stated: Dimension: ± 0.05 Angle: $\pm 1^\circ$	Revision: 1 Revision date: 7/26/2018
SOT1212-3		Third angle projection	Sheet 2 of 2

Fig 20. Package outline SOT1212-3 (sheet 2 of 2)

10. Handling information

CAUTION



This device is sensitive to ElectroStatic Discharge (ESD). Observe precautions for handling electrostatic sensitive devices.

Such precautions are described in the *ANSI/ESD S20.20*, *IEC/ST 61340-5*, *JESD625-A* or equivalent standards.

Table 10. ESD sensitivity

ESD model	Class
Charged Device Model (CDM); According to ANSI/ESDA/JEDEC standard JS-002	C1 ^[1]
Human Body Model (HBM); According to ANSI/ESDA/JEDEC standard JS-001	1C ^[2]

[1] CDM classification C1 is granted to any part that passes after exposure to an ESD pulse of 250 V.

[2] HBM classification 1C is granted to any part that passes after exposure to an ESD pulse of 1000 V.

11. Abbreviations

Table 11. Abbreviations

Acronym	Description
AM	Amplitude Modulation
3GPP	3rd Generation Partnership Project
CCDF	Complementary Cumulative Distribution Function
CW	Continuous Wave
DPCH	Dedicated Physical CHannel
ESD	ElectroStatic Discharge
GEN7	Seventh Generation
LDMOS	Laterally Diffused Metal Oxide Semiconductor
MMIC	Monolithic Microwave Integrated Circuit
MTF	Median Time to Failure
OBO	Output Back Off
PAR	Peak-to-Average Ratio
PM	Phase Modulation
RoHS	Restriction of Hazardous Substances
VSWR	Voltage Standing Wave Ratio
W-CDMA	Wideband Code Division Multiple Access

12. Revision history

Table 12. Revision history

Document ID	Release date	Data sheet status	Change notice	Supersedes
BLM7G1822S-80PB_S-80PBG v.3	20180913	Product data sheet	-	BLM7G1822S-80PB_S-80PBG v.2
Modifications:	<ul style="list-style-type: none"> • Figure 1 on page 2: figure updated • Table 3 on page 3: package outline versions changed to SOT1211-3 and SOT1212-3 • Figure 3 on page 6: figure updated • Figure 5 on page 8: figure updated • Figure 6 on page 8: figure updated • Figure 7 on page 8: figure updated • Figure 8 on page 9: figure updated • Table 9 on page 9: typo corrected • Section 9 on page 13: package outline versions changed from SOT1211-2 and SOT1212-2 to SOT1211-3 and SOT1212-3 • Table 10 on page 17: added table 			
BLM7G1822S-80PB_S-80PBG v.2	20150901	Product data sheet	-	BLM7G1822S-80PB_S-80PBG v.1
BLM7G1822S-80PB_S-80PBG v.1	20150824	Product data sheet	-	-

13. Legal information

13.1 Data sheet status

Document status ^{[1][2]}	Product status ^[3]	Definition
Objective [short] data sheet	Development	This document contains data from the objective specification for product development.
Preliminary [short] data sheet	Qualification	This document contains data from the preliminary specification.
Product [short] data sheet	Production	This document contains the product specification.

[1] Please consult the most recently issued document before initiating or completing a design.

[2] The term 'short data sheet' is explained in section "Definitions".

[3] The product status of device(s) described in this document may have changed since this document was published and may differ in case of multiple devices. The latest product status information is available on the Internet at URL <http://www.ampleon.com>.

13.2 Definitions

Draft — The document is a draft version only. The content is still under internal review and subject to formal approval, which may result in modifications or additions. Ampleon does not give any representations or warranties as to the accuracy or completeness of information included herein and shall have no liability for the consequences of use of such information.

Short data sheet — A short data sheet is an extract from a full data sheet with the same product type number(s) and title. A short data sheet is intended for quick reference only and should not be relied upon to contain detailed and full information. For detailed and full information see the relevant full data sheet, which is available on request via the local Ampleon sales office. In case of any inconsistency or conflict with the short data sheet, the full data sheet shall prevail.

Product specification — The information and data provided in a Product data sheet shall define the specification of the product as agreed between Ampleon and its customer, unless Ampleon and customer have explicitly agreed otherwise in writing. In no event however, shall an agreement be valid in which the Ampleon product is deemed to offer functions and qualities beyond those described in the Product data sheet.

Ampleon product can reasonably be expected to result in personal injury, death or severe property or environmental damage. Ampleon and its suppliers accept no liability for inclusion and/or use of Ampleon products in such equipment or applications and therefore such inclusion and/or use is at the customer's own risk.

Applications — Applications that are described herein for any of these products are for illustrative purposes only. Ampleon makes no representation or warranty that such applications will be suitable for the specified use without further testing or modification.

Customers are responsible for the design and operation of their applications and products using Ampleon products, and Ampleon accepts no liability for any assistance with applications or customer product design. It is customer's sole responsibility to determine whether the Ampleon product is suitable and fit for the customer's applications and products planned, as well as for the planned application and use of customer's third party customer(s). Customers should provide appropriate design and operating safeguards to minimize the risks associated with their applications and products.

Ampleon does not accept any liability related to any default, damage, costs or problem which is based on any weakness or default in the customer's applications or products, or the application or use by customer's third party customer(s). Customer is responsible for doing all necessary testing for the customer's applications and products using Ampleon products in order to avoid a default of the applications and the products or of the application or use by customer's third party customer(s). Ampleon does not accept any liability in this respect.

Limiting values — Stress above one or more limiting values (as defined in the Absolute Maximum Ratings System of IEC 60134) will cause permanent damage to the device. Limiting values are stress ratings only and (proper) operation of the device at these or any other conditions above those given in the Recommended operating conditions section (if present) or the Characteristics sections of this document is not warranted. Constant or repeated exposure to limiting values will permanently and irreversibly affect the quality and reliability of the device.

Terms and conditions of commercial sale — Ampleon products are sold subject to the general terms and conditions of commercial sale, as published at <http://www.ampleon.com/terms>, unless otherwise agreed in a valid written individual agreement. In case an individual agreement is concluded only the terms and conditions of the respective agreement shall apply. Ampleon hereby expressly objects to applying the customer's general terms and conditions with regard to the purchase of Ampleon products by customer.

No offer to sell or license — Nothing in this document may be interpreted or construed as an offer to sell products that is open for acceptance or the grant, conveyance or implication of any license under any copyrights, patents or other industrial or intellectual property rights.

Export control — This document as well as the item(s) described herein may be subject to export control regulations. Export might require a prior authorization from competent authorities.

13.3 Disclaimers

Limited warranty and liability — Information in this document is believed to be accurate and reliable. However, Ampleon does not give any representations or warranties, expressed or implied, as to the accuracy or completeness of such information and shall have no liability for the consequences of use of such information. Ampleon takes no responsibility for the content in this document if provided by an information source outside of Ampleon.

In no event shall Ampleon be liable for any indirect, incidental, punitive, special or consequential damages (including - without limitation - lost profits, lost savings, business interruption, costs related to the removal or replacement of any products or rework charges) whether or not such damages are based on tort (including negligence), warranty, breach of contract or any other legal theory.

Notwithstanding any damages that customer might incur for any reason whatsoever, Ampleon's aggregate and cumulative liability towards customer for the products described herein shall be limited in accordance with the *Terms and conditions of commercial sale* of Ampleon.

Right to make changes — Ampleon reserves the right to make changes to information published in this document, including without limitation specifications and product descriptions, at any time and without notice. This document supersedes and replaces all information supplied prior to the publication hereof.

Suitability for use — Ampleon products are not designed, authorized or warranted to be suitable for use in life support, life-critical or safety-critical systems or equipment, nor in applications where failure or malfunction of an

Non-automotive qualified products — Unless this data sheet expressly states that this specific Ampleon product is automotive qualified, the product is not suitable for automotive use. It is neither qualified nor tested in accordance with automotive testing or application requirements. Ampleon accepts no liability for inclusion and/or use of non-automotive qualified products in automotive equipment or applications.

In the event that customer uses the product for design-in and use in automotive applications to automotive specifications and standards, customer (a) shall use the product without Ampleon's warranty of the product for such automotive applications, use and specifications, and (b) whenever customer uses the product for automotive applications beyond Ampleon's specifications such use shall be solely at customer's own risk, and (c) customer fully indemnifies Ampleon for any liability, damages or failed product claims resulting from customer design and use of the product for automotive applications beyond Ampleon's standard warranty and Ampleon's product specifications.

Translations — A non-English (translated) version of a document is for reference only. The English version shall prevail in case of any discrepancy between the translated and English versions.

13.4 Trademarks

Notice: All referenced brands, product names, service names and trademarks are the property of their respective owners.

Any reference or use of any 'NXP' trademark in this document or in or on the surface of Ampleon products does not result in any claim, liability or entitlement vis-à-vis the owner of this trademark. Ampleon is no longer part of the NXP group of companies and any reference to or use of the 'NXP' trademarks will be replaced by reference to or use of Ampleon's own trademarks.

14. Contact information

For more information, please visit: <http://www.ampleon.com>

For sales office addresses, please visit: <http://www.ampleon.com/sales>

15. Contents

1 Product profile 1

1.1 General description 1

1.2 Features and benefits 1

1.3 Applications 1

2 Pinning information 2

2.1 Pinning 2

2.2 Pin description 2

3 Ordering information 3

4 Block diagram 3

5 Limiting values 3

6 Thermal characteristics 4

7 Characteristics 4

8 Application information 5

8.1 Possible circuit topologies 8

8.2 Ruggedness in class-AB operation 9

8.3 Impedance information 9

8.4 Graphs 10

9 Package outline 13

10 Handling information 17

11 Abbreviations 17

12 Revision history 18

13 Legal information 19

13.1 Data sheet status 19

13.2 Definitions 19

13.3 Disclaimers 19

13.4 Trademarks 20

14 Contact information 20

15 Contents 21

Please be aware that important notices concerning this document and the product(s) described herein, have been included in section 'Legal information'.

© Ampleon Netherlands B.V. 2018. All rights reserved.

For more information, please visit: <http://www.ampleon.com>
 For sales office addresses, please visit: <http://www.ampleon.com/sales>

Date of release: 13 September 2018
 Document identifier: BLM7G1822S-80PB_S-80PBG

Mouser Electronics

Authorized Distributor

Click to View Pricing, Inventory, Delivery & Lifecycle Information:

[Ampleon:](#)

[BLM7G1822S-80PBGY](#)