

83118 Standard 831180 Part number 83118007



- Reduced actuation force
- Very short differential travel
- Choice of actuators

Part numbers

	Type	Function	Connections
83118007	Standard 831180	I (changeover)	W1

Specifications

Electrical characteristics

Rating nominal / 250 VAC (A)	5
Rating thermal / 250 VAC (A)	17,5

Mechanical characteristics

Maximum operating force (N)	2,7
Min. Release force (N)	0,75
Operating position (mm)	16 ^{±0,3}
Min. overtravel (mm)	0,2
Mechanical life (operations)	5x10 ⁶
Maximum total travel force (N)	4
Max. permitted overtravel force (N)	30
Maximum rest position (mm)	16,7
Differential travel (mm)	0,03 →0,09
Ambient operating temperature (°C)	- 40 →+125
Contact gap (mm)	0,5
Weight (g)	21

Additional specifications

Components

Material

- Case : thermoset UL94V0
- Contacts : pure silver

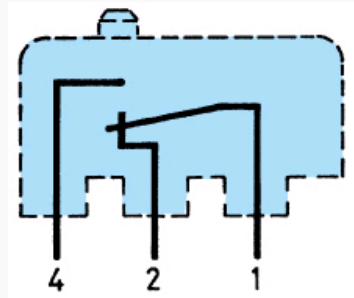
Levers

- Flexible stainless steel

Other levers

- Passivated mild steel (zinc), self-retaining screws

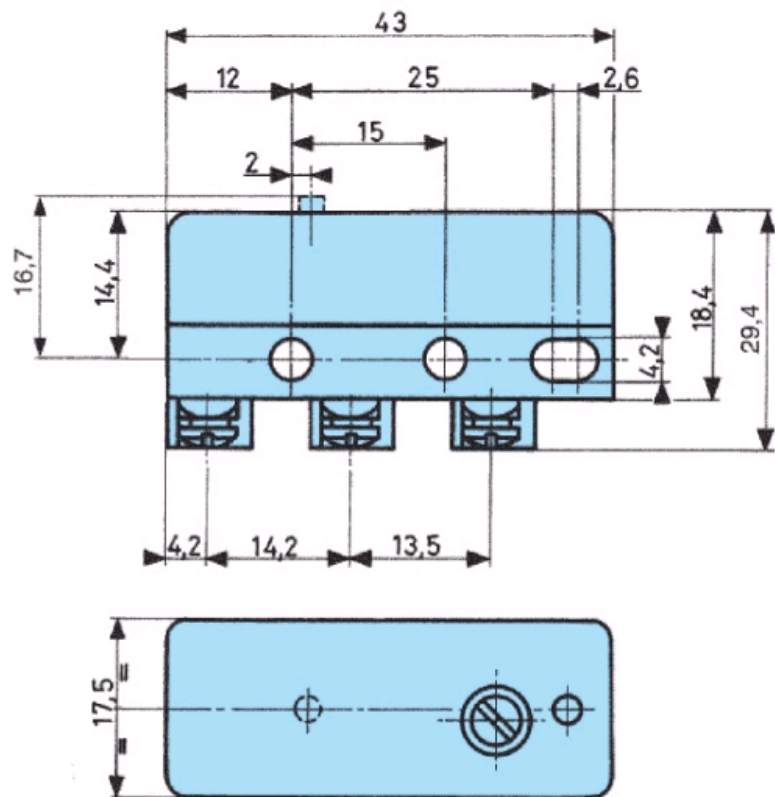
Principles



Dimensions (mm)

Product

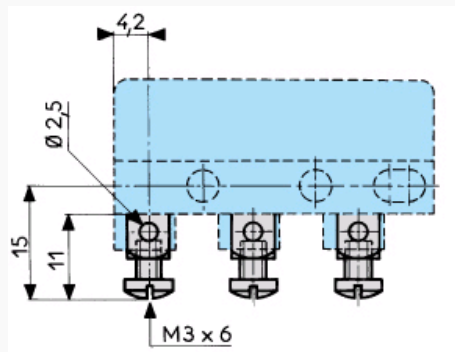
831180 / 83118 S1



Dimensions (mm)

Connections

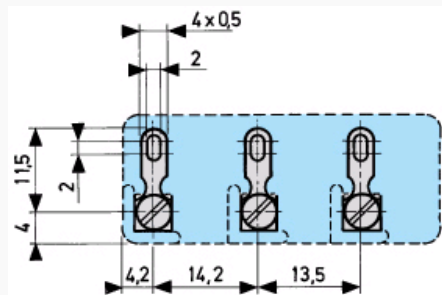
W1 screw



Dimensions (mm)

Connections

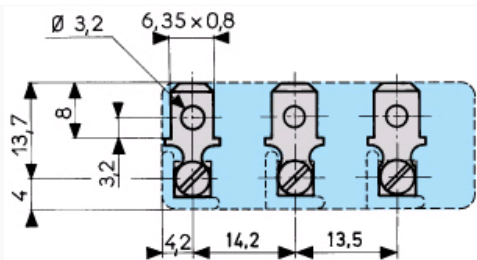
W2 solder



Dimensions (mm)

Connections

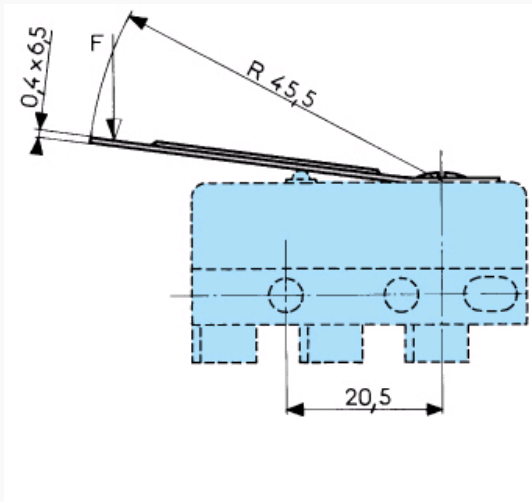
W3 for 6.35 mm clips



Dimensions (mm)

Actuators

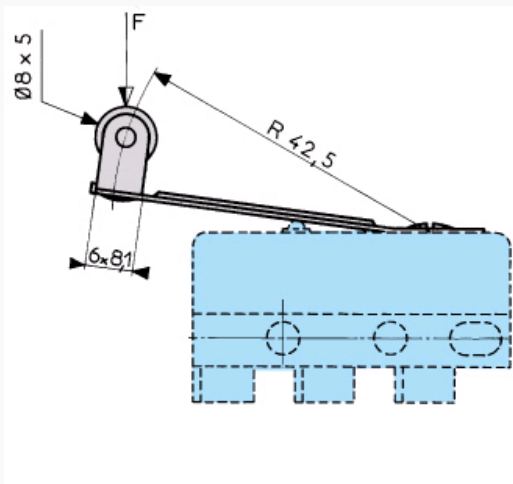
52A



Dimensions (mm)

Actuators

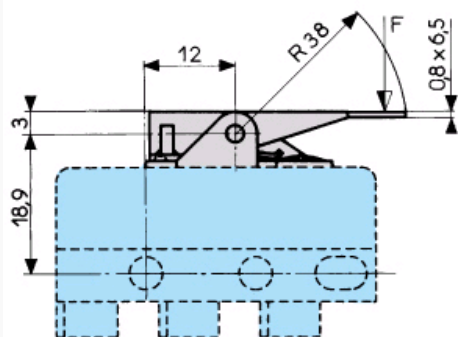
52B



Dimensions (mm)

Actuators

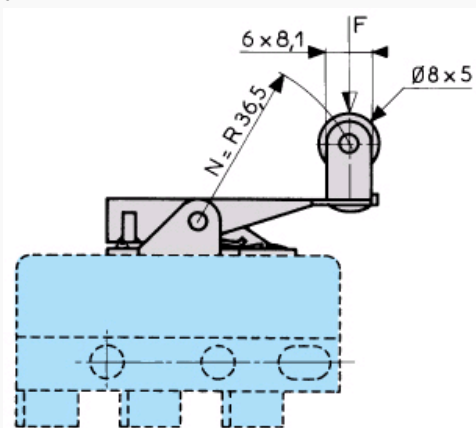
52M



Dimensions (mm)

Actuators

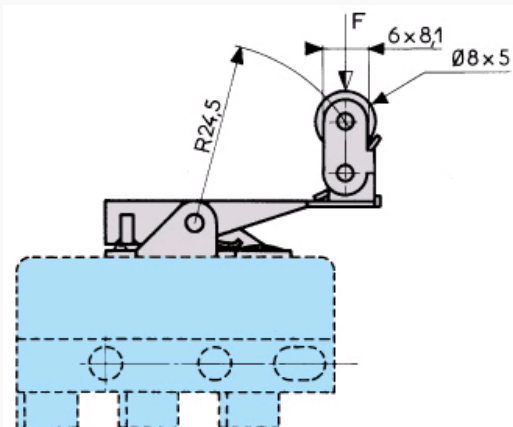
52N



Dimensions (mm)

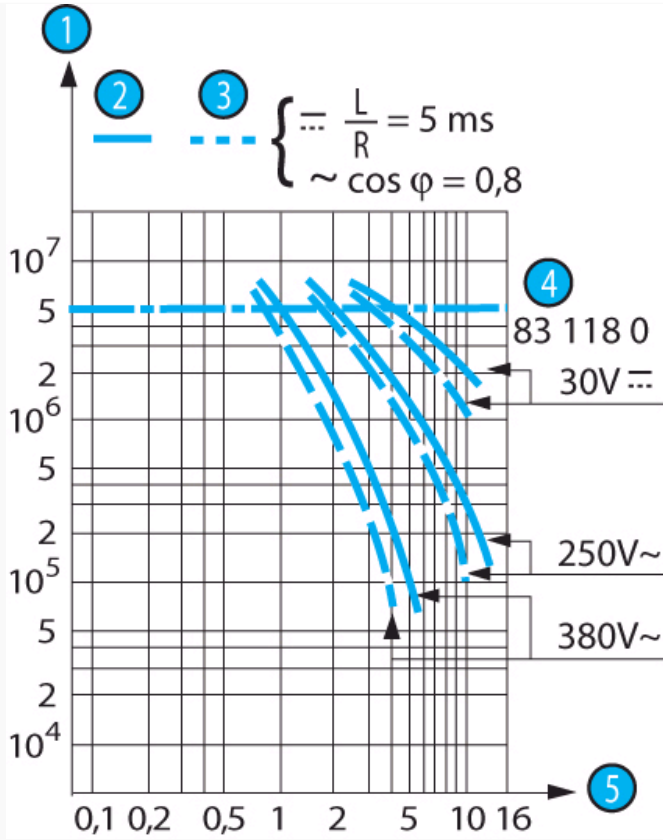
Actuators

52V



Curves

Operating curve for types 831180 - 83118 S1



N°	Legend
1	Number of cycles
2	Resistive circuit
3	Inductive circuit
4	Mechanical life limit
5	Current in Amps

Connections

Actuators and fixing positions

Part numbers for actuators

Flexible direct-acting actuators: S2A - S2B	S2A R45.5	S2B R42.5	S2M R38	S2N R36.5	S2V R24.5	70 520 029	
Hinged reverse-action actuators: S2M - S2N - S2V							
Operating force - max.	N	2.5	1.4	0.85	1.5	1.4	2.5
Release force - min.	N	0.8	0.55	0.27	0.4	0.4	0.6
Pre-travel - max.	mm	4.5		2	1.5		
Differential travel	mm	0.45 ^{UL20}		0.3 ^{UL15}	0.16 ^{UL08}		
Total travel max.	mm	7		10	5		

Other information

Mounting - Operation

See basic technical concepts

Product adaptations



- Special levers
- Special connections, temperatures
- Approvals : UL - cUL

Mouser Electronics

Authorized Distributor

Click to View Pricing, Inventory, Delivery & Lifecycle Information:

[Crouzet:](#)

[83118007](#)