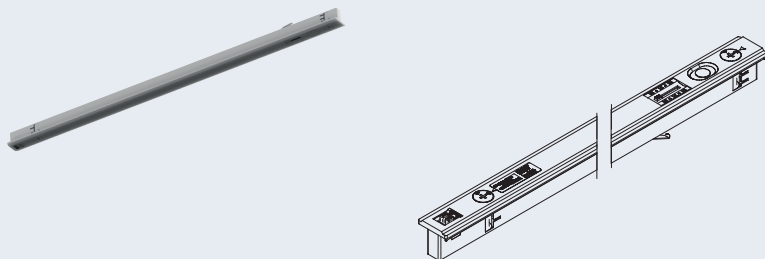
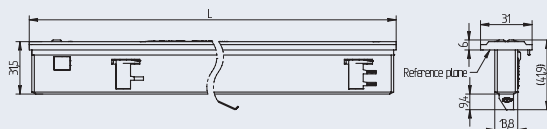


LFS - LinearFlat Inlineadapter

32.901 · LinearFlat Inlineadapter GR6d for 3-phase power tracks



pkg.	wt.	part no.
20	310 g	32.901.3004.51
20	310 g	32.901.3004.80

Inlineadapter ON - OFF with lampholder GR6d-4 and integretad, electronic ballast for 3-phase power tracks according to EN 60570 in combination with linear GR6d LED modules.

With the light sources, the correct pairing of the contact material must be observed. We recommend silver points.

Material: Housing: PC / Aluminium
Adapter length: L = 672 mm

Available in white (.51) and black (.80)

- Relative movements are to be avoided

Overview of compatible 3-phase power tracks On / Off Application

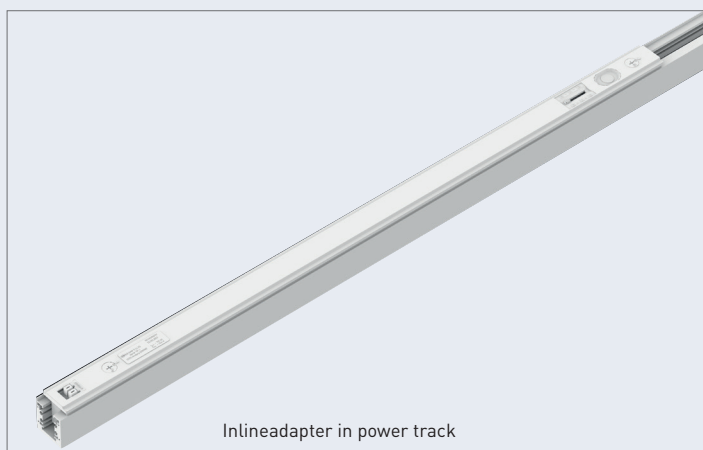
Manufacturer	Model no.
Erco	783YX.000
EUTRAC	25-XX-Y / 26-XX-Y / 19-XX-Y
iGuzzini	677X-YY
Ivela	7501-XX-YY / 7511-XX-YY / 7512-XX-YY
Nordic	Aluminium Global Trac Pro XTS4XXX-Y, XTSFXXX-Y
Philips	3C LXXX-YYRCS350
Powergear	PRO-04-XX-Y, PRO-R4-XX-Y
STUCCHI	ONETRACK (Advance) 9000(A)-X/Y-ST, 9000-X/Y-ST15, 9000-X/Y-TR, 9000-X/Y-H
UniPro	T3XXYY, T3XXFY
Zumtobel	S280ZZZZ

pkg.	wt.	part no.
20	315 g	32.901.4004.51
20	315 g	32.901.4004.80

Inlineadapter DALI - in preparation

Overview of compatible 3-phase power tracks DALI application

Manufacturer	Model no.
Nordic	Aluminium Global Trac Pulse XTSC6XXX-Y Aluminium Global Trac Pulse XTSCF6XXX-Y
Powergear	PRO-06-XX-Y, PRO-R6-XX-Y
STUCCHI	ONETRACK Advance 9000A-X/Y-ST, 9000-X/Y-TR, 9000-X/Y-H
Unipro	TC3XXYY, TC3XXFY



Inlineadapter in power track

LFS - LinearFlat Inlineadapter

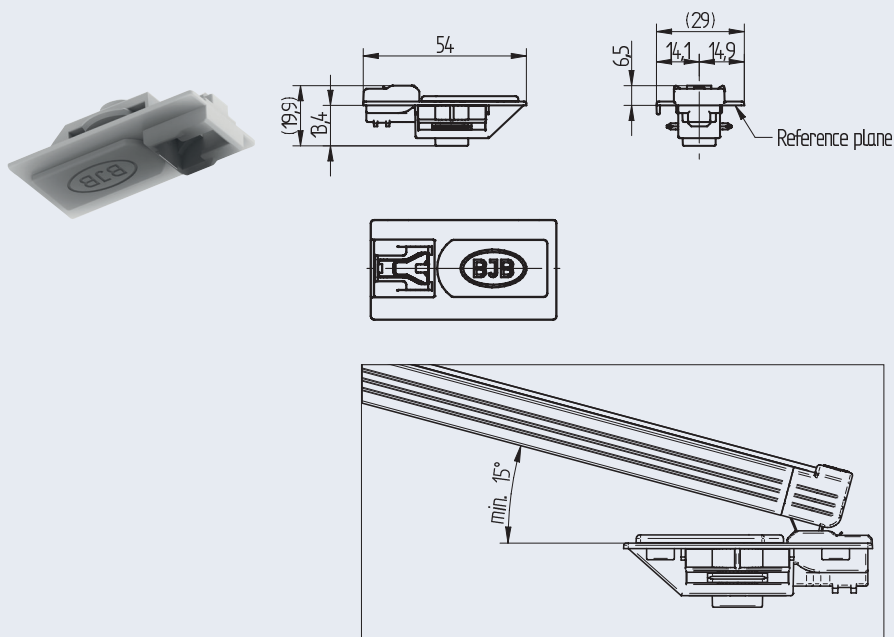
32.901 · LinearFlat Inlineadapter GR6d for 3 phase power tracks



Electrical input parameters	
Key	GR6d-4
Nominal voltage	220 - 240 V
Grid frequency	50 / 60 Hz
Operating voltage range AC	198 - 264 V
Inrush current	20 A @ 280 µs
Total current distortion (THD) full load	<10%
Power factor full load	0.96
Efficiency at full load	89%
Electrical output parameters	
Output voltage range	20 - 48 V
Maximum output voltage	60 V
Operating mode	Constant current
Output current range	1.050 mA
Output PstLM	< 1
Output SVM	< 0,4
Output current tolerance	± 5%
Output current ripple (<120Hz)	± 3 %
Maximum secondary power	50.4 W
Maximum power consumption	56.6 W
Lifespan @Ta 25°C	>50.000 hrs.
Switching cycles	>50.000
Surroundings	
Surroundings temperature	-20°C up to +40°C
Max. Tc-temperature	75° C
Additional information	
Max. number per B16A / C16A	22 / 37
Overvoltage protection	320 V, 1h
Overtemperature protection	yes
Overload protection	yes
Short circuit protection	yes
No-load protection	yes
Hot-plug capable	yes
Protection against burst voltages	2 kV
Protection against surge voltages	1 kV (L-N)
Double insulated	SELV
Protection class	I
Protection type	IP 20
Glow wire test	750° C
Dimming	No
Dimming in the DALI version	Dimming standard: DALI-2 Dimming method: AM Dimming range: 1 - 100%
Standards	Safety: EN 61347-1, EN 61347-2-13 EMV: EN 55015, EN 61000-3-2, EN 61000-3-3, EN 61547 Performance: EN 62384 GR6d lamp holder: EN 60061-1

LFS - LinearFlat Inlineadapter

32.901 · LinearFlat Inlineadapter GR6d for 3 phase power tracks · 28.701 · Counter support



pkg.	wt.	part no
480	tbc	28.701.U305.50
480	tbc	28.701.U305.80

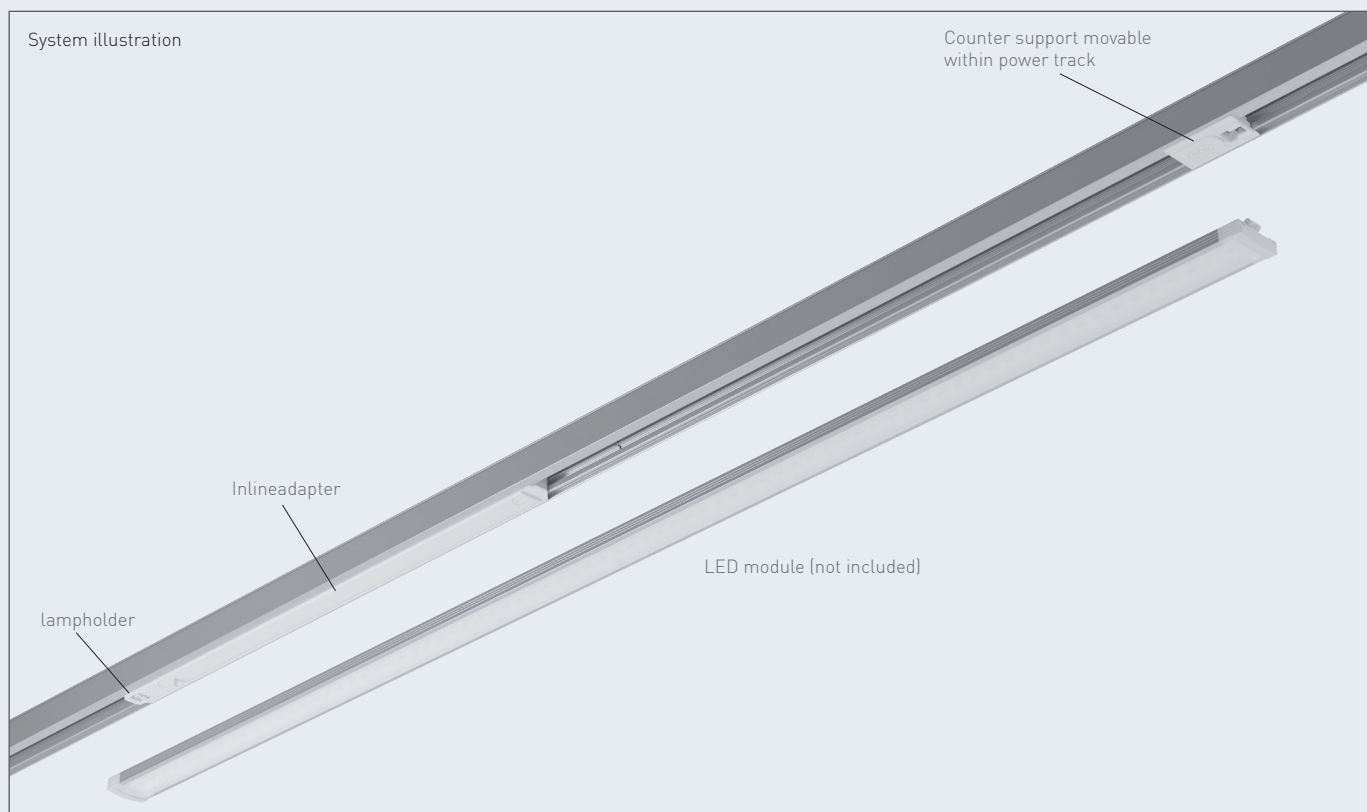
Counter support with locking mechanism

Lamp support for Linear Flat LED lamps

For 3-phase power tracks

- Thermal extension: Axial movement will be compensated
- Release function with spring

1. To open the locking mechanism please twist the rotating latch to the side.
2. Insert and position the counter support into the power track
3. By turning the rotating latch into the initial position the counter support is arrested into the power track



Mouser Electronics

Authorized Distributor

Click to View Pricing, Inventory, Delivery & Lifecycle Information:

[BJB Electric:](#)

[32.901.4004-101-00](#) [32.901.3004-001-08](#) [32.901.3004-101-08](#) [32.901.4004-001-00](#)