



pkg. wt. part no.  
90 85.5 g 35.333.1005.85

3x11 Optic for LED modules according to **Z** Zhaga Book 7

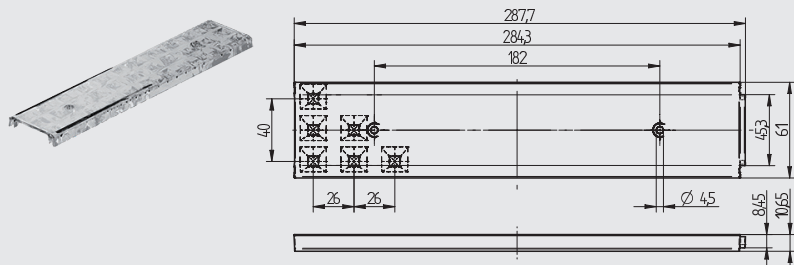
3D Injection-molded optic made of PMMA  
Key and slot system for a complete assembly of the optics  
Optimised for LED type 2835, 3030 and 5630  
Compatible with freely available 280 mm (1 ft) and  
560 mm (2 ft) 3x11 LED modules with 1.6 mm board  
thickness

Protection class: IP 40

**Area of application:**

For use in linear- and panel lights  
Shop: Shelf lighting  
Industry: Department stores

- Improved visibility and contrast of the illuminated areas
- Good and uniform light distribution
- Reduced glare

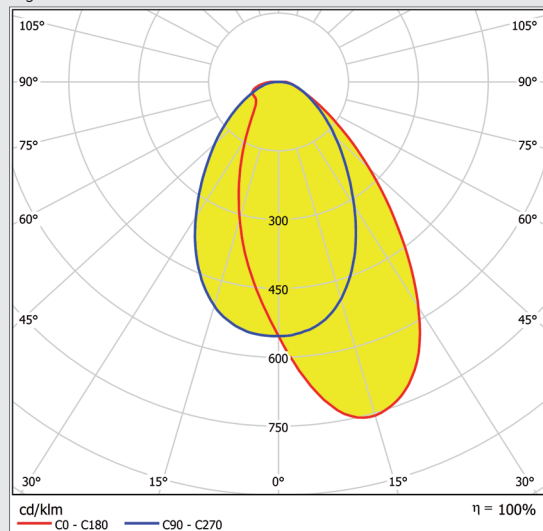


part no.	35.333.1005.85
Height	10 mm
Width	61 mm
Length	288 mm
Type of fixing	Screw fixing (1.2 Nm): for screws M4
LED Type	2835, 3030, 5630
Material	PMMA
Colour	clear
Surface outside	eroded rough VDI ref. 36
Light distribution	single asymmetric
Beam angle(FWHM)	---
Optical efficiency	93% (Lextar 5630)
Operating temperature	max. 80 °C

The presented information are for reference only. All lighting parameters are typical values.  
The light distribution depends on the used LED type, position tolerance, chip size and used colour.

IP 40 CAD

Light distribution with LED Lextar PC56H19 V1



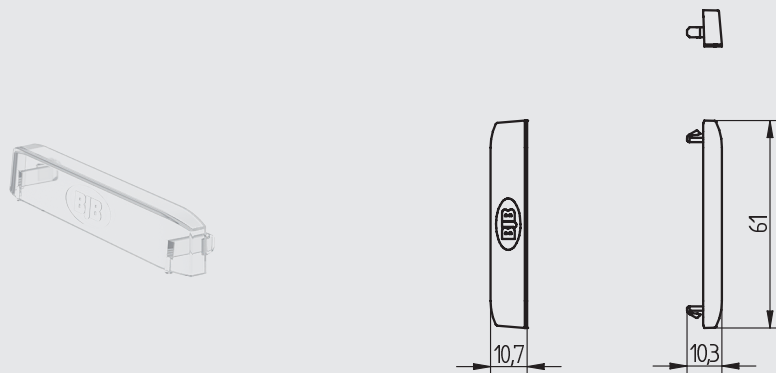


pkg.	wt.	part no.
500	2 g	35.903.-302.85

**End cap for 3x11 optics**  
For use with optics 35.333.100x

Snap in fixing

- Only 1 end cap for both sides
- Optimised for 1.6 mm wide LED modules

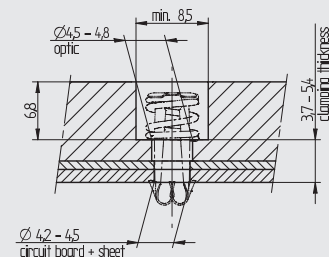
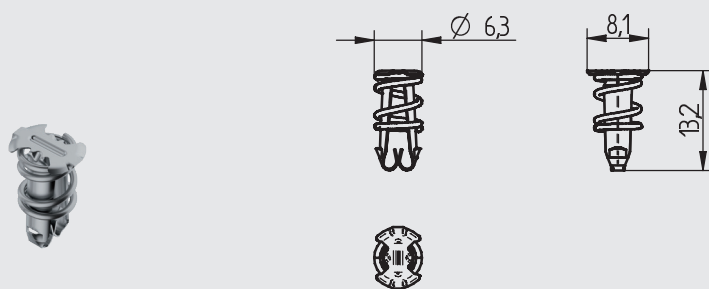


pkg.	wt.	part no.
5000	0,4 g	28.905.U101.00

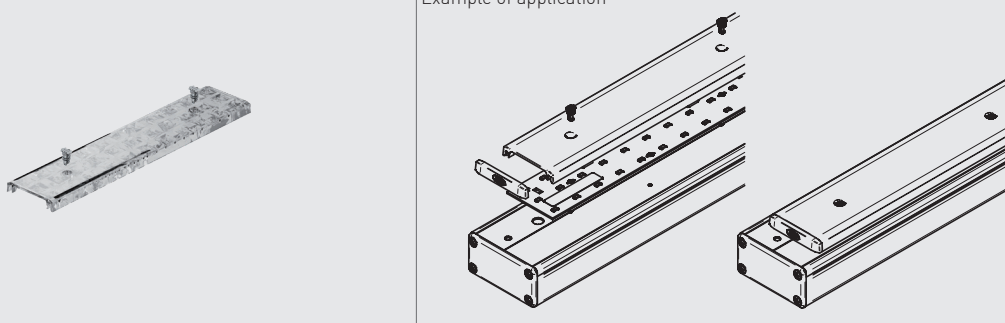
**P2F (Push to Fix) Fixing element for optics**

With the optics P2F, which is available as an accessory, both the circuit board and the optics can be attached simply, quickly and securely with one click.

- Just **one** step for assembling optics and LED module
- Easy, quick and secure assembly by pressing down the P2F fixing element
- Reliable heat dissipation due to constant contact pressure 10 N/P2F
- Total thickness: 3.7 up to 5.4 mm



Example of application



# Mouser Electronics

Authorized Distributor

Click to View Pricing, Inventory, Delivery & Lifecycle Information:

[BJB Electric:](#)

[35.333.1005-001-08](#)