

**Cornell Dubilier**

Cornell Dubilier Marketing, Inc  
Liberty, South Carolina  
TEL: 864-843-2277 FAX:864-843-3800

Engineering

Catalog Number: 401R113U6R3AK8

Customer Part Number: None

Date: 02/20/19

Capacitance: 11000 $\mu$ F

Tolerance: -10% +75%

Working Volts: 6.3VDC

Surge Volts: 9VDC

Leakage Current @ 25°C: 394 $\mu$ A

ESR @ 120Hz @ 25°C: 0.033 $\Omega$  max.

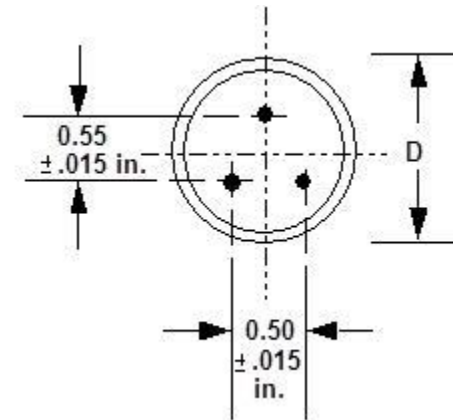
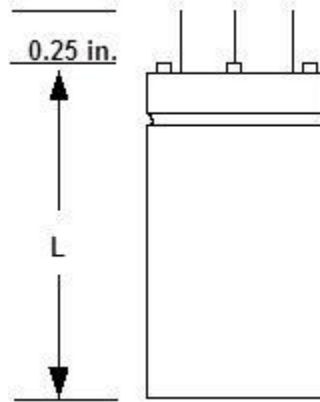
Ripple Current @ 120Hz, 85°C: 9.7A

Diameter (D): 1.375 $\pm$  0.031 inches

Length (L): 1.75 inches max

Insulation: PVC

Operating Temperature: - 55°C to +105°C



ROHS Compliant for all Date Codes after "0605", per provisions of CD document 10-28.

"Controlled Copy" if viewed on CD Server or if copy is stamped in Red, Otherwise considered as an "Uncontrolled Copy"

# Mouser Electronics

Authorized Distributor

Click to View Pricing, Inventory, Delivery & Lifecycle Information:

[Cornell Dubilier:](#)

[401R113U6R3AK8](#)