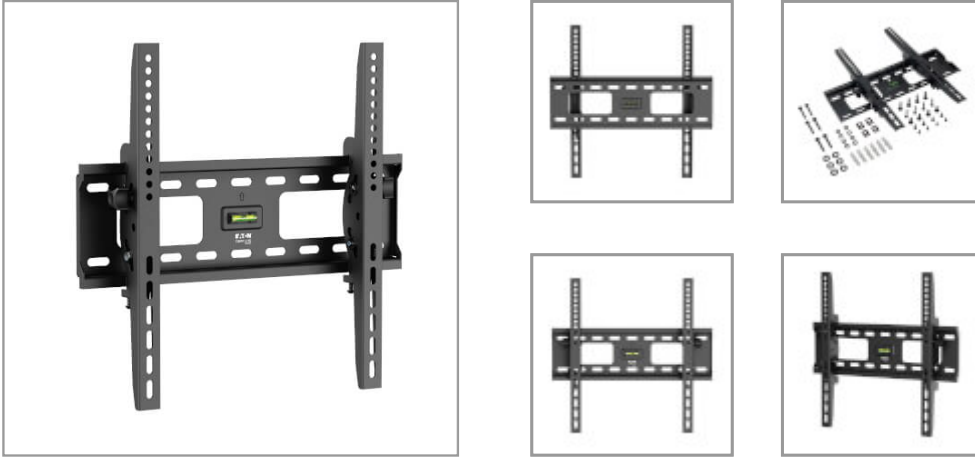


Tilt Wall Mount for 26" to 55" TVs and Monitors, -10° to +10° Tilt

MODEL NUMBER: DWT2655XP



Low-profile mount hangs a flat-panel television, monitor or other display on the wall. Ideal for home theaters, classrooms, boardrooms, hotels, bars and restaurants. -10° to +10° tilt capability for optimal viewing angles.

Description

The VESA-compliant DWT2655XP Tilt Wall Mount allows you to mount your flat-panel television, monitor or other display on the wall. Ideal for home theaters, classrooms, boardrooms, hotels, bars and restaurants, it fits most flat-panel displays from 26 to 55 inches. A -10° to +10° tilt capability minimizes glare and provides comfortable viewing from multiple angles.

Low-profile mount is concealed behind the display to give a sleek, professional appearance. Frame is open for easy wall access. Mounting rails adjust horizontally to compensate for off-center wall studs. Built-in bubble level allows accurate display leveling. Durable all-metal frame with scratch-resistant powder-coated finish supports up to 165 lbs (74.8 kgs). Mounting hardware included. Conforms to VESA-compliant displays with any of the following mounting hole patterns: 200 x 200 mm, 200 x 300 mm, 200 x 400 mm, 300 x 200 mm, 300 x 300 mm, 300 x 400 mm, 400 x 200 mm, 400 x 300 mm and 400 x 400 mm

Features

Mounts Your TV or Monitor to the Wall Fits most flat-panel televisions, monitors and other displays from 26 to 55 in. Ideal for home theaters, classrooms, boardrooms, hotels, bars and restaurants. Mounts out of sight behind display for sleek, professional appearance. Mounting hardware included.

Convenient One-Touch Adjustment -10° to +10° tilt capability provides comfortable viewing from multiple angles. Improves viewing angles in applications where audience is below the display.

Durable Metal Construction Supports up to 165 lbs (74.8 kgs). Open frame allows easy wall access. Adjustable mounting rails compensate for off-center wall studs. Built-in bubble level for accurate display leveling. Scratch-resistant powder-coated finish.

VESA Compliance Supports the following VESA mounting hole patterns: 200 x 200 mm, 200 x 300 mm, 200 x 400 mm, 300 x 200 mm, 300 x 300 mm, 300 x 400 mm, 400 x 200 mm, 400 x 300 mm and 400 x 400 mm

Highlights

- Fits most flat-panel displays from 26 to 55 in.
- Hangs out of sight for a sleek, professional appearance
- -10° to +10° tilt capability for wide range of motion
- Supports up to 165 lbs (74.8 kgs)

Package Includes

- DWT2655XP Tilt Wall Mount for 26" to 55" TVs and Monitors
- (4) M5 x 14 screws
- (4) M6 x 14 screws
- (4) M6 x 30 screws
- (4) M8 x 20 screws
- (4) M8 x 30 screws
- (4) Washers
- (8) Small spacers
- (4) Big spacers
- (6) Anchor bolts
- (6) Concrete anchors
- (6) D6 washers
- Owner's manual

Specifications

OVERVIEW



Powering Business Worldwide

TRIPP LITE
SERIES

UPC Code	037332183590
Device Compatibility	Monitor/HDTV
PHYSICAL	
Color	Black
Material of Construction	Steel
VESA Pattern (mm)	200x200; 200x300; 200x400; 300x200; 300x300; 300x400; 400x200; 400x300; 400x400
Motion	Tilt
Mounting Location	Wall
Degrees of Motion	-10/+10 Tilt
Minimum Screen Size (in.)	26
Minimum Screen Size (cm)	66.04
Maximum Screen Size (in.)	55
Maximum Screen Size (cm)	139.7
Maximum Weight Capacity (lbs.)	165
Maximum Weight Capacity (kg)	75
Number of Displays	1
Shipping Dimensions (hwd / in.)	3.00 x 6.20 x 19.20
Shipping Dimensions (hwd / cm)	7.62 x 15.75 x 48.77
Shipping Weight (lbs.)	6.72
Shipping Weight (kg)	3.05
Unit Dimensions (hwd / in.)	17.320 x 18.100 x 2.500
Unit Dimensions (hwd / cm)	15 x 46 x 6.3
Unit Weight (lbs.)	6.78
Unit Weight (kg)	3.08
Assembly Required	Yes
FEATURES & SPECIFICATIONS	
Antimicrobial	No
Cord Management	No
Tools Necessary	Yes
Security Lock	No
STANDARDS & COMPLIANCE	
Product Compliance	RoHS; RoHS3; REACH
WARRANTY & SUPPORT	



Powering Business Worldwide

TRIPP LITE
SERIES

Product Warranty Period (Worldwide)	5-year limited warranty
--	-------------------------

1000 Eaton Boulevard
Cleveland, OH 44122
United States
<https://tripplite.eaton.com>

© 2024 Eaton. All Rights Reserved.
Eaton is a registered trademark. All other trademarks
are the property of their respective owners.

Mouser Electronics

Authorized Distributor

Click to View Pricing, Inventory, Delivery & Lifecycle Information:

[Tripp Lite:](#)

[DWT2655XP](#)