

Sectional terminal blocks

KT3-WH

Specifications

Description:

Depluggable rail mount sectional terminal block.

Center Spacing:

0.390" (9.91).

Circuit Jumper:

JN3, 2 circuits.

Screw Size: #8-32.

Poles: 3

Circuits Per Foot: 28

Wire Range: AWG #8-22 CU.

Ratings:

Volts: — 600V

Amps: — 40A

Agency Information: CE, UL E62622; CSA LR15364.

Flammability Rating: UL 94V2.

Marking Tape: MT12-½.

Torque Rating: 18 in-lb max.

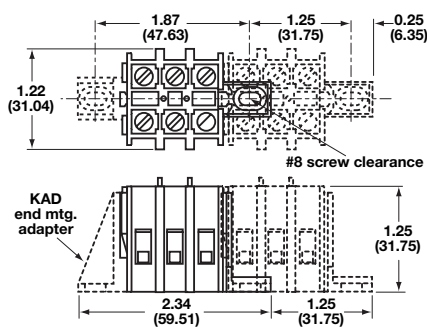
Mounting Options: Base mount, stackable. KAD end mount adapter optional.

Catalog Numbers

Number	Color
KT3-WH	White



Dimensions - in (mm)



KT4-WH

Specifications

Description:

Depluggable rail mount sectional terminal block.

Center Spacing:

0.250" (6.35).

Circuit Jumper: JN4, 4 circuits.

Screw Size: #6-32.

Poles: 4

Circuits Per Foot: 48

Wire Range: AWG #10-22 CU.

Ratings:

Volts: — 600V

Amps: — 30A

Agency Information: CE, UL E62622; CSA LR15364.

Flammability Rating: UL 94V2.

Marking Tape: MTC6.

Torque Rating: 18 in-lb max.

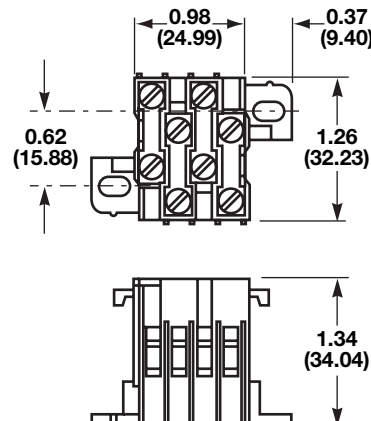
Mounting Options: Base mount., Mounting screws recommended every 12 circuits.

Catalog Numbers

Number	Color
KT4-WH	White



Dimensions - in (mm)



PLK3-__ (color)

Specifications

Description:

Depluggable rail mount sectional terminal block.

Center Spacing:

0.390" (9.91).

Circuit Jumper: JN3, 2

circuits.

Screw Size: #8-32.

Poles: 3

Circuits Per Foot: 28

Wire Range: AWG #8-22 CU.

Ratings:

Volts: — 600V

Amps: — 40A

Agency Information: CE, UL E62622; CSA LR15364.

Flammability Rating: UL 94V2.

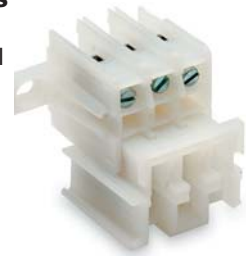
Marking Tape: MT12-½.

Torque Rating: 18 in-lb max.

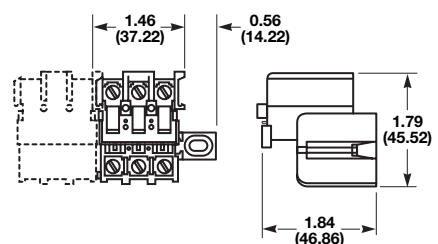
Mounting Options: Base mount, stackable. End Piece (Part No. KAD) is required for mounting. Mounting screws recommended every 15 circuits.

Catalog Numbers

Number	Color
PLK3-WH	White



Dimensions - in (mm)



Mouser Electronics

Authorized Distributor

Click to View Pricing, Inventory, Delivery & Lifecycle Information:

[Eaton:](#)

[KT4-WH](#) [PLK3-WH](#)