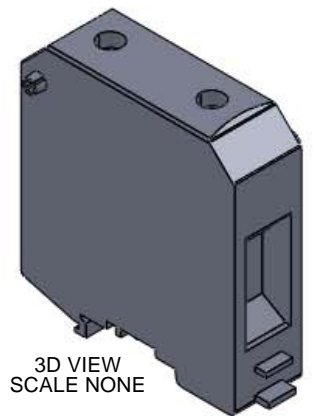
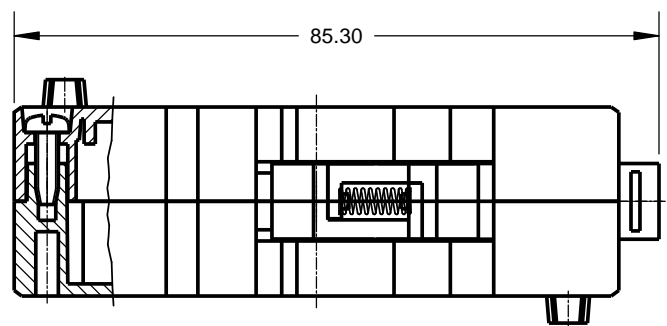
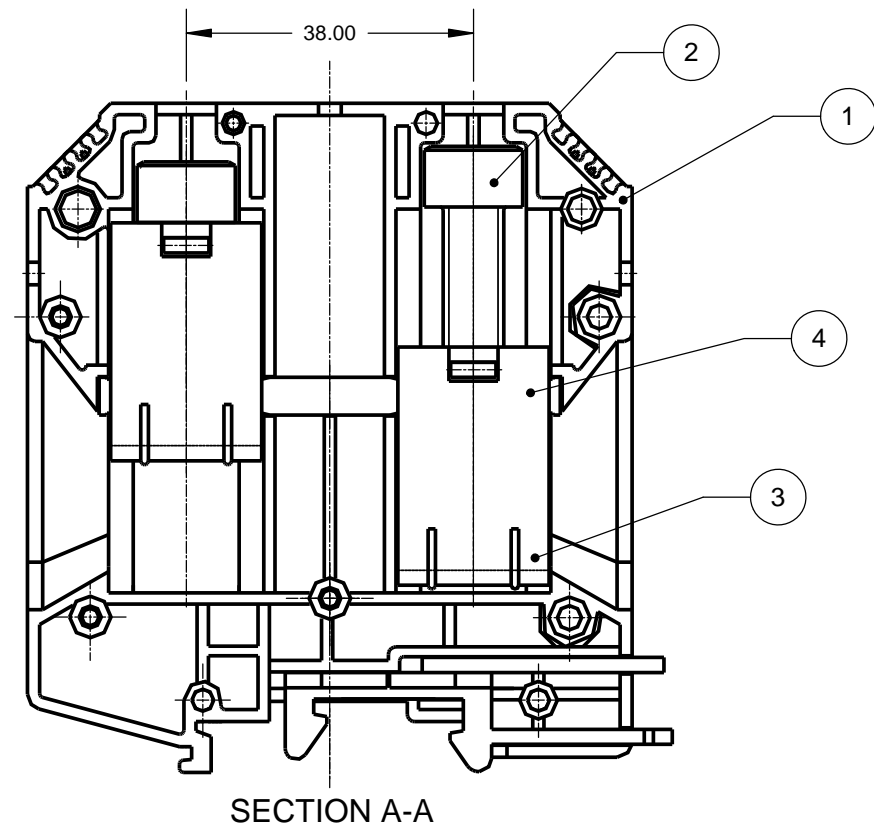
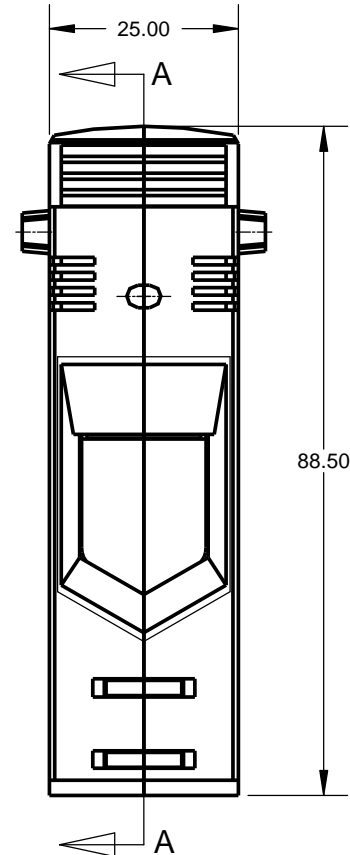
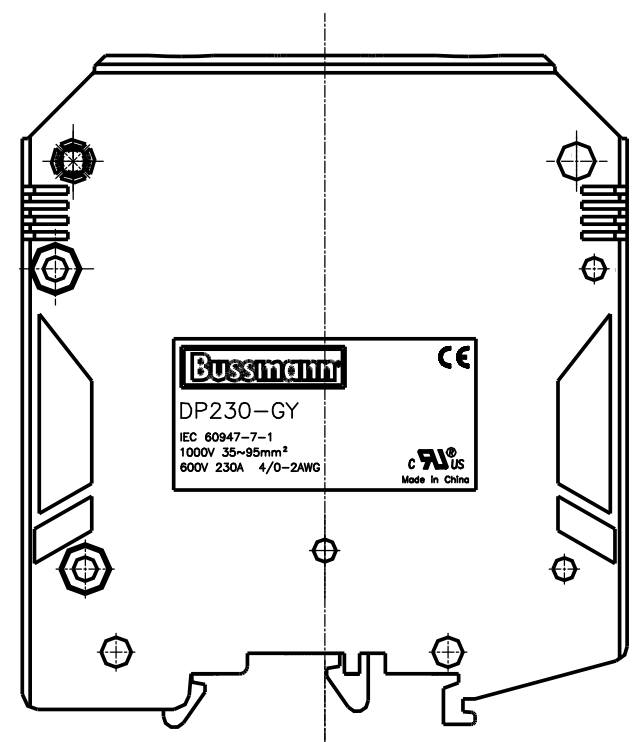


ITEM NO.	NAME	MATERIAL	NOTES
1	HOUSING	PA66	UL94-V0
2	SCREW	STEEL	M8/ZN PLATED
3	WIRE CONNECTOR	STEEL	M8/ZN PLATED
4	CONDUCTOR	COPPER ALLOY	TIN PLATED

PART NO.	COLOR	PANTONE #
DP150-GY	GREY	COOL GRAY2U
DP150-BU	BLUE	300U
DP150-LK	BLACK	BLACK



- NOTES:
- RATINGS: UL 600V/230A, IEC 1000V/232A
INSULATION WITHSTAND VOLTAGE 2500VAC/1MINUTE
TEMPERATURE RANGE -40°C-105°C
 - SEE 2A2943 FOR DIN DIMENSION DETAILS
 - SCREW TORQUE 10.3N-M (89.3IN-LB)
 - WIRE RANGE UL 4/0-2AWG, IEC 35-95 mm²
 - ASSEMBLY MUST BE FREE OF OIL, GREASE AND OTHER FOREIGN MATERIALS.
 - ASSEMBLY MUST COMPLY WITH RoHS SPECIFICATION #1P2163.

REV		ZONE	DESCRIPTION	DATE	ECN	BY
A		-	INITIAL RELEASE	09/24/2012	BU-J12374	TJN

MODEL SOURCE DATA ---	MODEL VERSION ---	GENERAL DRAWING PRACTICES IN ACCORDANCE WITH ASME - Y14.100-2004 DIMENSIONS AND TOLERANCES IN ACCORDANCE WITH ASME - Y14.5M-1994	APPROVALS ENGINEER: TJN DRAWN: TJN MANUFACTURING ENGINEER: --- MATERIAL: SEE TABLE FINISH: SEE TABLE	DATE 09/26/2012 09/26/2012 --/--/----	 COOPER Bussmann St. Louis, MO 63178 (USA)	
THIS DRAWING IS AN UNCONTROLLED COPY IF PRINTED OR SENT ELECTRONICALLY. DO NOT SCALE DRAWING. CONFIDENTIAL. THE INFORMATION CONTAINED IN THIS DOCUMENT IS THE PROPERTY OF COOPER INDUSTRIES, INC. IT IS NOT FOR PUBLIC DISCLOSURE. POSSESSION OF THE INFORMATION DOES NOT CONVEY ANY RIGHT TO LOAN, SELL, OR DISCLOSE THE INFORMATION. UNAUTHORIZED REPRODUCTION OR USE OF THE INFORMATION IS PROHIBITED. THIS DOCUMENT IS TO BE RETURNED TO COOPER INDUSTRIES, INC. UPON COMPLETION OF THE PURPOSE FOR WHICH IT WAS LOANED OR UPON REQUEST. COPYRIGHT. COOPER INDUSTRIES, INC. THIS IS AN UNPUBLISHED WORK. THE DISCLOSURE OF THIS WORK IS LIMITED TO SELECT PERSONNEL. FURTHER DISSEMINATION OR DISCLOSURE TO THE PUBLIC IS PROHIBITED. THIS UNPUBLISHED WORK IS PROTECTED BY FEDERAL COPYRIGHT LAW AND ALL RIGHTS THEREUNDER ARE RESERVED BY COOPER INDUSTRIES, INC.		UNLESS OTHERWISE SPECIFIED DIMENSIONS ARE IN MILLIMETERS TOLERANCES TO BE ONE PLACE X.X = ±0.3mm TWO PLACE X.X X = ±0.13mm ALL ANGLES X.X = ±1°	SPECIAL CHARACTERISTIC $\diamond (0)$ SIGNIFICANT CHARACTERISTIC $\triangle (0)$	TITLE FEED THROUGH TERMINAL BLOCK		
THIRD ANGLE PROJECTION		SIZE A3	DWG NO. DP230-XX	REV A	SCALE: 1:1	SHEET 1 OF 1

Mouser Electronics

Authorized Distributor

Click to View Pricing, Inventory, Delivery & Lifecycle Information:

[Eaton:](#)

[DP230-GY](#)