

MAGNUM

Terminal Blocks Catalog



Contents

	PAGES
BARRIER STYLE TERMINAL BLOCKS	
Magnum® 5000 Series .250" Centers; 10A, 300V	2-3
Magnum® 1000 Series .325" Centers; 15A, 250V	4-6
Magnum® 2000 Series .375" Centers; 30A, 150-300V	7-12
Magnum® 3000 Series .437" Centers; 30A, 150-600V	13-18
Magnum® A38/B38 Series .437" Centers; 30-50A, 300-600V	19-20
Magnum® 4000 Series .562" Centers; 35-50A, 150-600V	21-22
Magnum® Accessories Marking, Marker Strips, Covers	23-24
DOUBLE ROW TERMINAL BLOCKS	
Magnum® TB Series 100 .375" Centers; 20A, 150-250V	25-26
Magnum® TB Series 200 .437" Centers; 20A, 300-600V	27-28
Magnum® TB Series 300 .562" Centers; 30-45A, 600V	29-30
Magnum® TB Series 400 .687" Centers; 75A, 600V	31
Magnum® TB Series Accessories Marking, Marker Strips, Covers	32-33
EUROPEAN STYLE TERMINAL BLOCKS	
Euro-Mag® .150" Centers; 10A, 125V	
EM3503 Series – Single Piece	36
EM3563 Series – Depluggable	48
EM3573 Series – Header	54
Euro-Mag® .197" Centers; 10-15A, 300V	
EM2585 Series – Single Piece, Stackable	35
EM2665 Series – Single Piece	37
EM3665 Series – Single Piece, Low Profile	38
EM3675 Series – Single Piece, Stackable	39
EM2555 Series – 45° Angle, Stackable	42
EM2445 Series – Two-Tier, Stackable	44
EM2525 Series – Depluggable, Horizontal	46
EM2465 Series – Depluggable, Vertical	47
EM5015 Series – Depluggable	49
EM2535 Series – Header (Mates with EM2525)	52
EM2475 Series – Header (Mates with EM2465)	53
EM5025 Series – Header (Mates with EM5015)	50
Euro-Mag® .200" Centers; 10-15A, 300V	
EM2505 Series – Single Piece, Stackable	34
EM2515 Series – 45° Angle, Stackable	40
EM2545 Series – Two-Tier, Stackable	43
EM2565 Series – Depluggable	45
EM2575 Series – Header (Mates with EM2565)	51
EM2795 Series – Screwless, Stackable	41
Euro-Mag® .300" Centers; 15A, 300V	
EM7000 Series – Two-Tier	55
I/O CONNECTORS	
Magnum® 15133 Series .375" Centers; 20A, 300V	56
Magnum® 13926 Series .200" Centers; 8A, 250V	57
Magnum® 1384X Series .375" Centers; 5A, 250V	58
Magnum® 15104 Series .375" Centers; 10A, 300V	59
INTERFACE SYSTEMS	
Mag-Master® 7000 Series	60-63
CUSTOM PRODUCTS	
	64-65
COMPLIANCE REFERENCES	
UL, CSA, IEC, CE	66

This catalog is intended to present product data and provide technical information that will help you, the end user, with design application. Bussmann reserves the right, without notice, to change design or construction of any products and to discontinue or limit distribution of any products. Bussmann also reserves the right to change or update, without notice, any technical information contained in this catalog. Once a product has been selected, it should be tested by the user in all possible applications.

MAGNUM®

Series A5000 & Series CB5000

Single Row Terminal Blocks

SPECIFICATIONS

Rating: 10A, 300V*

Center Spacing: .250" (6.35 mm)

Wire Size: #16-30 AWG CU

Screw Size: #3-48 zinc plated phillslot SEMS screws, wire-ready standard

Torque Rating: 4 in.-lbs. max.

Distance Between Barriers: .20" (5.08 mm)

Recommended PCB Hole Diameter: .062" (1.57 mm)

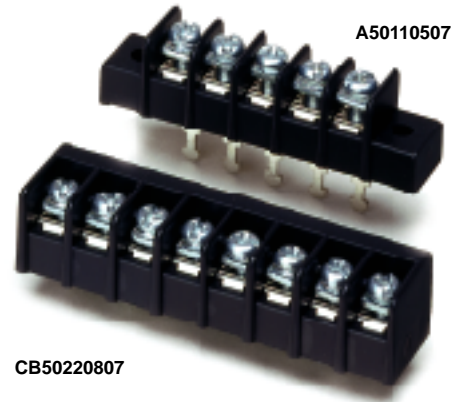
Operating Temperature: 105°C (221°F) max., -40°C (-40°F) min.

Molded Material: Black, UL Rated 94VO Thermoplastic

Breakdown Voltage: 1600V rms

Approvals: UL E62622; CSA LR15364; CE Certified

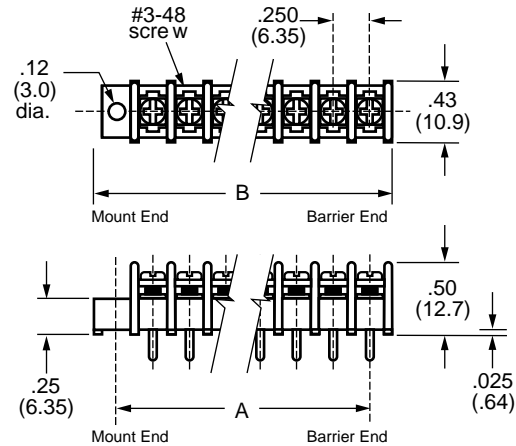
* Max. rating shown; some options may be rated lower – consult factory.



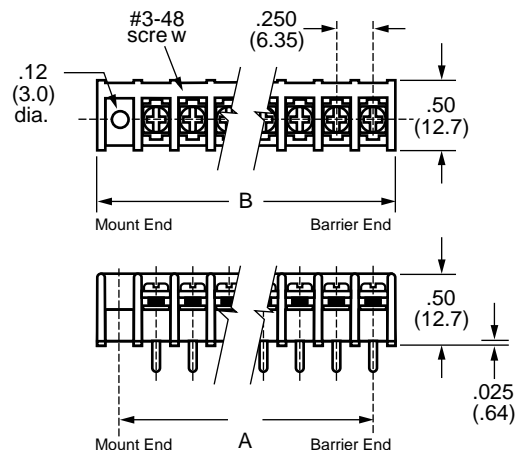
Poles	MOUNTING ENDS		BARRIER ENDS	
	A Mount Centers	B Overall Length	A Pole Centers	B Overall Length
02	.75	1.06	.25	.56
03	1.00	1.31	.50	.81
04	1.25	1.56	.75	1.06
05	1.50	1.81	1.00	1.31
06	1.75	2.06	1.25	1.56
07	2.00	2.31	1.50	1.81
08	2.25	2.56	1.75	2.06
09	2.50	2.81	2.00	2.31
10	2.75	3.06	2.25	2.56
11	3.00	3.31	2.50	2.81
12	3.25	3.56	2.75	3.06
13	3.50	3.81	3.00	3.31
14	3.75	4.06	3.25	3.56
15	4.00	4.31	3.50	3.81
16	4.25	4.56	3.75	4.06
17	4.50	4.81	4.00	4.31
18	4.75	5.06	4.25	4.56
19	5.00	5.31	4.50	4.81
20	5.25	5.56	4.75	5.06
21	5.50	5.81	5.00	5.31
22	5.75	6.06	5.25	5.56
23	6.00	6.31	5.50	5.81
24	6.25	6.56	5.75	6.06
25	6.50	6.81	6.00	6.31
26	6.75	7.06	6.25	6.56
27	7.00	7.31	6.50	6.81
28	7.25	7.56	6.75	7.06
29			7.00	7.31
30			7.25	7.56

* Dimensions in inches. To convert to millimeters, multiply by 25.4.

A5000 Series



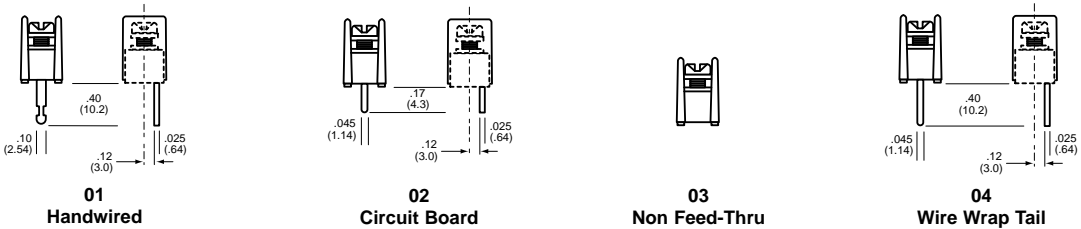
CB5000 Series



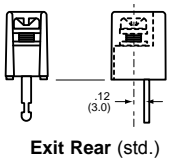
Part Numbering System

Series	Terminal Style	Base/End	Poles	Screw Options	Options
A5 CB5	nn	n	nn nn	nn	nnn
A5 - standard barrier CB5 - closed barrier	01 - handwired 02 - printed circuit 03 - non feed-thru 04 - wire wrap tail	1 - mount end 2 - barrier end	02 to 30 02 to 28 on mount end base	07 - steel SEMS std. wire ready	C1 to C8 - .110" QC L1 to L6 marking options (pg 23) LT1 to LT6 marking options (CB5 only-pg 23) OJ - over barrier jumper S1 - single solder lug/flat S2 - double solder lug/flat (A5 only)

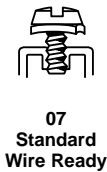
Terminal Styles Inches (Millimeters)



CB5 Terminal Exit Options Inches (Millimeters)



Screw Options Wire ready screws standard on all terminal styles

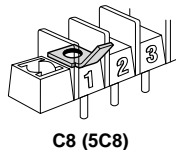
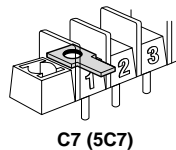
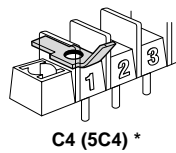
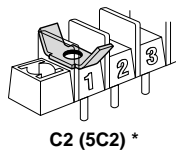
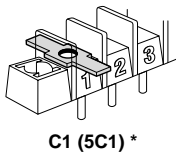


Hardware Options (Bulk ordering part numbers are in parentheses.)

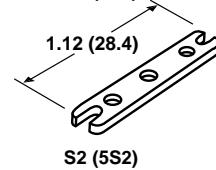
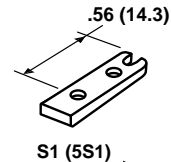
Jumpers



Quick Connects Blade Width .110" (For other orientations, contact factory.)



Solder Lugs



* N/A on CB5 Series.

MAGNUM[®]

Series A1000 & Series CB1000

Single Row Terminal Blocks

SPECIFICATIONS

Rating: 15A, 250V

Center Spacing: .325" (8.26 mm)

Wire Size: #14-22 AWG CU

Screw Size: #6-32 zinc plated phillot wire-ready screws with a #2 driving recess.

Torque Rating: 9 in-lb. max.

Base: Standoffs are standard on CB1000 Series for easy flux washing.

Distance Between Barriers: .26" (6.6 mm)

Recommended PCB Hole Diameter: .070" (1.78 mm)

Operating Temperature: 105°F (221°F) max., -40°C (-40°F) min.

Molded Material: Black, UL Rated 94VO Thermoplastic

Breakdown Voltage: 1600V rms

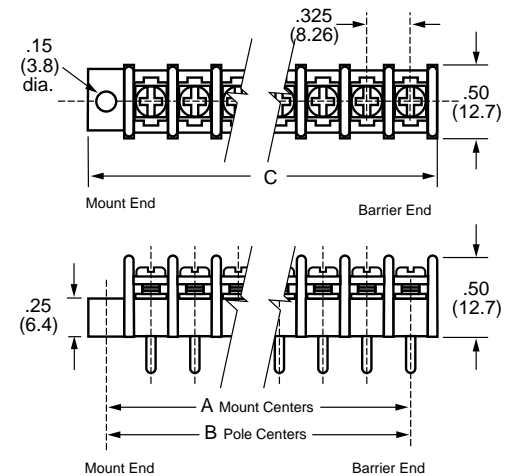
Approvals: UL E62622; CSA LR15364; IEC Compliance; CE Certified



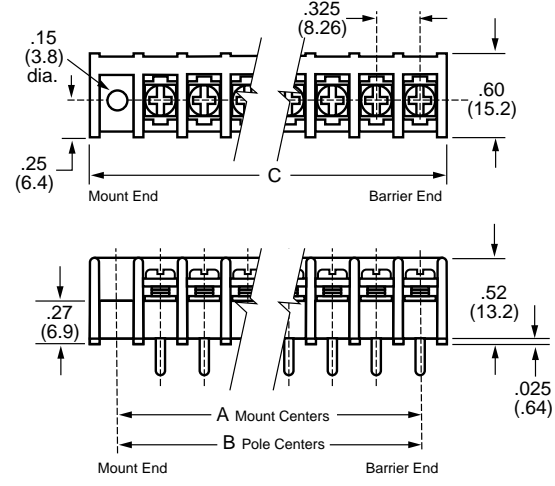
CB10210707

A102206

A1000 Series



CB1000 Series



Poles	MOUNTING ENDS ONLY		BARRIER & MOUNTING ENDS B Pole Ctrs.	BARRIER ENDS ONLY C Length
	A Mount Ctrs.	C Length		
02	.98	1.37	.33	.72
03	1.30	1.69	.65	1.04
04	1.63	2.02	.98	1.37
05	1.95	2.34	1.30	1.69
06	2.28	2.67	1.63	2.02
07	2.60	2.99	1.95	2.34
08	2.93	3.32	2.28	2.67
09	3.25	3.64	2.60	2.99
10	3.58	3.97	2.93	3.32
11	3.90	4.29	3.25	3.64
12	4.23	4.62	3.58	3.97
13	4.55	4.94	3.90	4.29
14	4.88	5.27	4.23	4.62
15	5.20	5.59	4.55	4.94
16	5.53	5.92	4.88	5.27
17	5.85	6.24	5.20	5.59
18	6.18	6.57	5.53	5.92
19	6.50	6.89	5.85	6.24
20	6.83	7.22	6.18	6.57
21	7.15	7.54	6.50	6.89
22	7.48	7.87	6.83	7.22
23	7.80	8.19	7.15	7.54
24	8.13	8.52	7.48	7.87
25	8.45	8.84	7.80	8.19
26	8.78	9.17	8.13	8.52
27	9.10	9.49	8.45	8.84
28	9.43	9.82	8.78	9.17
29	9.75	10.14	9.10	9.49
30	10.08	10.47	9.43	9.82
31	10.40	10.79	9.75	10.14
32	10.73	11.12	10.08	10.47
33	11.05	11.44	10.40	10.79
34	11.38	11.77	10.73	11.12
35			11.05	11.44
36			11.38	11.77

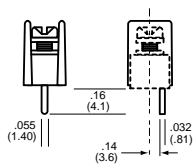
* Dimensions in inches. To convert to millimeters, multiply by 25.4.

Part Numbering System

Series	Terminal Style	Base/End	Poles	Screw Options	Options
A n CB n	n n	n	n n	n n n n	n n n n
A1 - standard barrier CB1 - closed barrier	02 - printed circuit 03 - non feed-thru 04 - wire wrap tail 07 - extended pin	1 - mount end 2 - barrier end	02 to 36 02 to 34 on mount end base	Blank - std. screws 03 - stainless steel 07 - steel SEMS & washer (not available with hardware options) CA - standard captive screw 07CA - SEMS captive	AB & DR - angle mts. (A1 only-pg 6) B1 to B9 - .187" QC (all positions) EB - exit back terminals on CB1 w/07 screw option only JA, JB & JC - barrier jumpers L1 to L6 marking options (pg 23) LT1 to LT6 marking options (CB1 only-pg 23) MP & MT - mounting plates (pg 6) R26 & R45 - right angle bends (A1 only-pg 6)

Terminal Styles

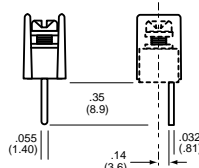
Inches (Millimeters)



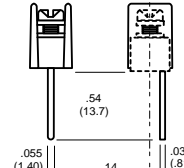
02
Circuit Board



03
Non Feed-Thru

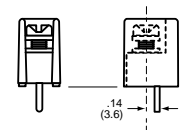


04
Wire Wrap Tail

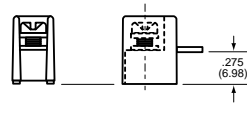


07
Extended Pin

CB1 Terminal Exit Options Tail length is .025" shorter on exit bottom terminals Inches (Millimeters)



Exit Rear (std.)



EB
Exit Back

Screw Options Wire ready screws standard on all terminal styles



Standard
Zinc Plated Steel



03
Stainless Steel

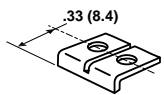


07
Steel SEMS Zinc Plated

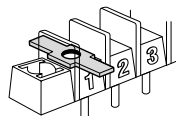
Hardware Options (Bulk ordering part numbers are in parentheses.)

Jumpers

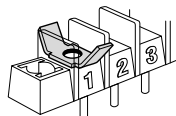
Quick Connects Blade Width B = .187". (For other orientations, contact factory.)



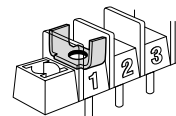
JA (JA1-XX)



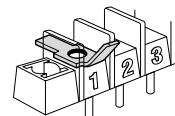
B1 (1B1) *



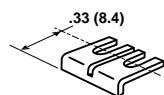
B2 (1B2) *



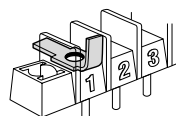
B3 (1B3) *



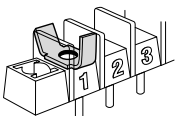
B4 (1B4) *



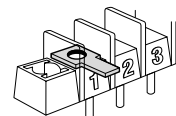
JB (JB1-XX)



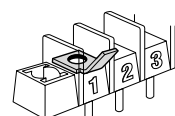
B5 (1B5) *



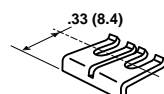
B6 (1B6) *



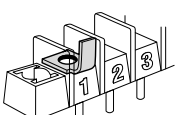
B7 (1B7)



B8 (1B8)



JC (JC1-XX)



B9 (1B9)

* N/A on CB1 Series.

Continued

MAGNUM®

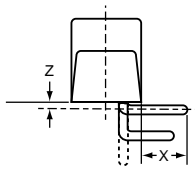
Series A1000 & CB1000

Single Row Terminal Blocks *Continued*

Mounting Options Inches (Millimeters)

Right Angle Bends (A1 only)

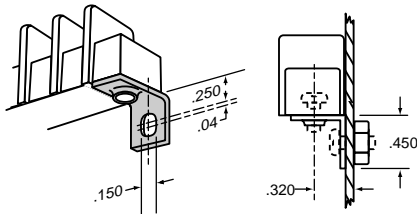
Right angle terminals are offered on the A1000 Series. Configurations are defined in these dimensions: X = pin extension beyond the block base; Z = length from block base to centerline of the terminal tip. Standard bends consist of the X and Z dimensions shown in the chart. Specify by adding the selected Bend Option Code to the terminal part no.



Bend Option Code	X (minimum)	Z
R26 (04 terminal only)	.14	.09
R45 (07 terminal only)	.33	.09

Dimensions in inches. To convert to millimeters, multiply by 25.4.

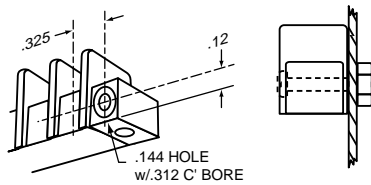
Angle Brackets (A1 only)



Option AB

Angle brackets enable block to be fastened at right angles to normal mount position. Bulk part no. **1AB**.

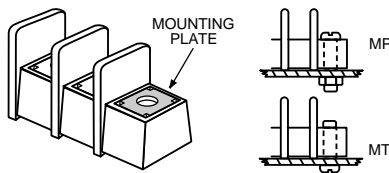
Drilled Right Angle (A1 only)



Option DR

Counterbored holes across mount ends of block enable fastening with two screws at right angles to normal mount position.

Mounting Plates



Options MP & MT

MP Metal inserts with .150" dia. hole accept #6 screw. **MT** Metal inserts with tapped hole accept #6-32 screw. Bulk Part Nos. **1MP & 1MT**.

Series A2000, LP2000 & CB2000 Single Row Terminal Blocks

SPECIFICATIONS

Rating: A2: 30A, 300V*
LP2: 30A, 150V*
CB2: 30A, 300V*

Center Spacing: .375" or 3/8" (9.52 mm)

Wire Size: #12-22 AWG CU

Screw Size: #6-32 zinc plated phillslot

Torque Rating: 9 in.-lb. max.

Base: Standoffs standard for easy flux washing

Distance Between Barriers: .32" (8.1 mm)

Recommended PCB Hole Diameter: .076" (1.93 mm);
.062" (1.59 mm) on .045" terminals.

Operating Temperature: 105°F (221°F) max., -40°C (-40°F) min.

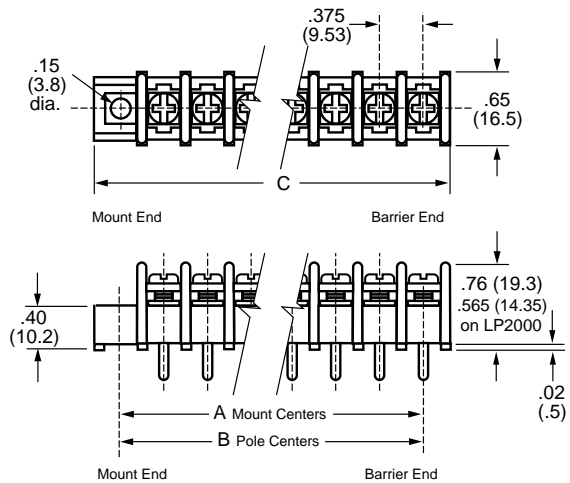
Molded Material: Black, UL Rated 94VO Thermoplastic

Breakdown Voltage: 3400V rms (A2 & LP2); 4100V rms (CB2).

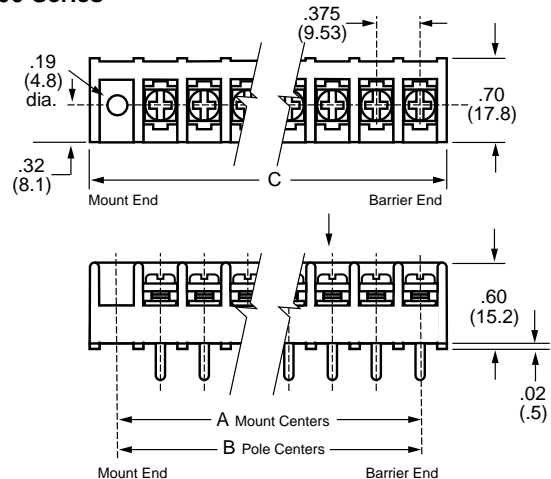
Approvals: UL E62622; CSA LR15364; IEC Compliance;
CE Certified



A2000 & LP2000 Series



CB2000 Series



Poles	MOUNTING ENDS ONLY		BARRIER & MOUNTING ENDS B Pole Ctrs.	BARRIER ENDS ONLY C Length
	A Mount Ctrs.	C Length		
02	1.13	1.56	.38	.81
03	1.50	1.93	.75	1.18
04	1.88	2.30	1.13	1.56
05	2.25	2.68	1.50	1.93
06	2.63	3.06	1.88	2.31
07	3.00	3.43	2.25	2.68
08	3.38	3.81	2.63	3.06
09	3.75	4.18	3.00	3.43
10	4.13	4.56	3.38	3.81
11	4.50	4.93	3.75	4.18
12	4.88	5.31	4.13	4.56
13	5.25	5.69	4.50	4.93
14	5.63	6.06	4.88	5.31
15	6.00	6.43	5.25	5.68
16	6.38	6.81	5.63	6.06
17	6.75	7.18	6.00	6.43
18	7.13	7.56	6.38	6.81
19	7.50	7.93	6.75	7.18
20	7.88	8.31	7.13	7.56
21	8.25	8.68	7.50	7.93
22	8.63	9.06	7.88	8.31
23	9.00	9.43	8.25	8.68
24	9.38	9.81	8.63	9.06
25	9.75	10.18	9.00	9.43
26	10.13	10.56	9.38	9.81
27	10.50	10.93	9.75	10.18
28	10.88	11.31	10.13	10.55
29	11.25	11.68	10.50	10.93
30	11.63	12.05	10.88	11.31
31			11.25	11.68
32			11.63	12.05

* Dimensions in inches. To convert to millimeters, multiply by 25.4.

MAGNUM

Series A2000 & LP2000 Single Row Terminal Blocks

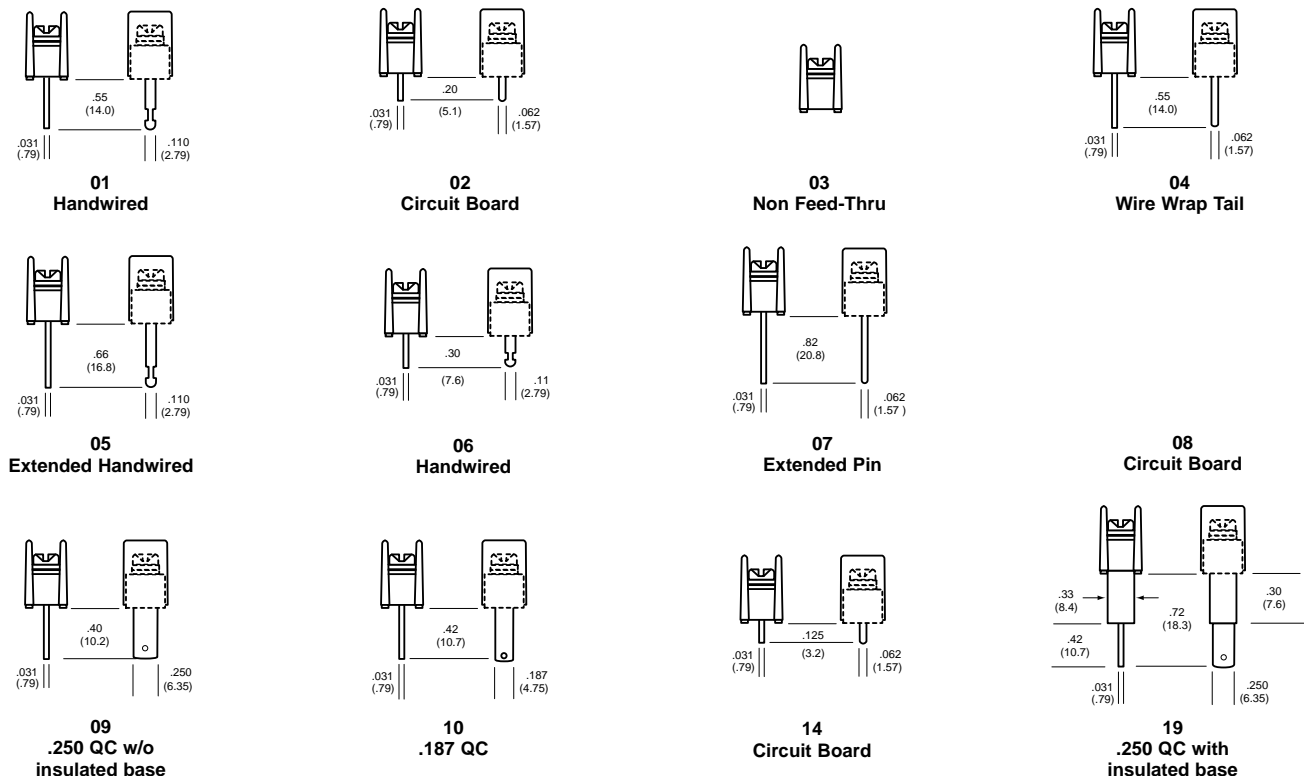
Part Numbering System

Series	Terminal Style	Base/End (Views pg. 9)	Poles	Screw Options	Options
A2 - standard barrier LP2 - low profile barrier	01 - handwired 02 - printed circuit 03 - non feed-thru 04 - wire wrap tail 05 - extended handwired 06 - handwired 07 - extended pin 08 - printed circuit 09 - .250 QC w/o insulated base 10 - .187 QC 14 - printed circuit 19 - .250 QC with insulated base	0 - flat base/molded mount end 1 - flat base/mnt. end 2 - flat base/barrier end 3 - insulator base/mnt. end 4 - insulator base/barrier end 5 - closed base/mount end 6 - closed base/molded mount end 9 - insulator base/molded mount end	02 to 32 02 to 30 on mount end base	Blank - std. screw 00 - screws shipped bulk 03 - stainless steel 04 - brass nickel plated 07 - steel SEMS (not available with hardware options) 09 - brass SEMS nickel plated (not available with hardware options) CA - captive screw 03CA - stainless steel captive 04CA - brass captive 07CA - SEMS captive 09CA - brass SEMS captive 07WR - steel SEMS wire ready (not available on LP2)	AB - angle mnt. options (pg 10) A1 to A9 - .250" QC B1 to B9 - .187" QC DR - drilled right angle (pg 10) JA, JB & JC - barrier jumpers L1 to L6 marking options (pg 23) MP, MP8 & MT mounting plates (pg 10) OJ2 & OJ4 - over barrier jumpers (not available w/covers) RC - retaining clips (pg 10) R30 to R77 - right angle bends (pg 10) SO - stand off insulators (pg 10) S1 - solder lug/flat

Base/End Note: 0, 6, 9 styles not available with covers. 3, 4, 9 Styles not available with 02, 03, 06, 08, 09 & 14 terminals. 5 & 6 Styles only available with 03 terminals.

Terminal Styles

Inches (Millimeters)



Screw Options



Standard
Zinc Plated Steel



03
Stainless Steel



04
Brass
Nickel Plated



07
Steel SEMS



09
Brass SEMS
Nickel Plated

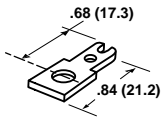


07WR
Wire Ready
(A2 only)

Hardware Options (Bulk ordering part numbers are in parentheses.)

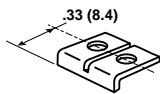
Inches (Millimeters)

Solder Lugs

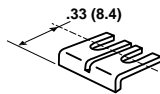


S1
(2S1)

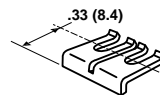
Jumpers



JA
(JA2-XX)



JB
(JB2-XX)



JC
(JC2-XX)



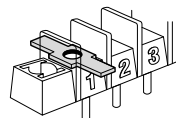
OJ2



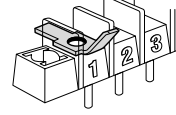
OJ4

Quick Connects

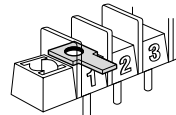
Blade Width A = .250" Blade Width B = .187"



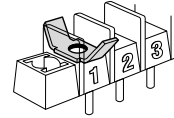
A1 & B1
(2A1 & 2B1)



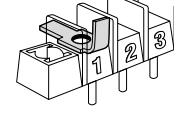
A4 & B4
(2A4 & 2B4)



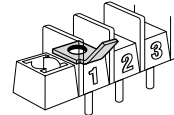
A7 & B7
(2A7 & 2B7)



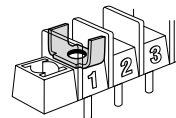
A2 & B2
(2A2 & 2B2)



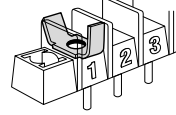
A5 & B5
(2A5 & 2B5)



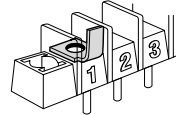
A8 & B8
(2A8 & 2B8)



A3 & B3
(2A3 & 2B3)

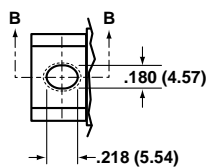


A6 & B6
(2A6 & 2B6)



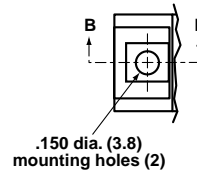
A9 & B9
(2A9 & 2B9)

Base/End Options

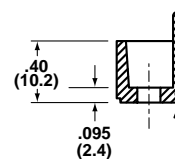


SECTION A-A

0, 6 & 9 Mount Ends



.150 dia. (3.8)
mounting holes (2)



SECTION B-B

1, 3 & 5 Mount Ends

MAGNUM®

Series A2000 & LP2000

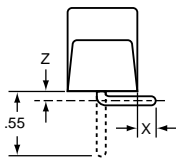
Single Row Terminal Blocks *Continued*

Mounting Options

Right Angle Bends (A2, LP2 only)

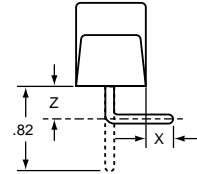
Right angle terminals are offered on the A2000 & LP2000 Series. Configurations are defined in these dimension: X = pin extension beyond the block base; Z = length from block base to centerline of the terminal tip. Standard bends consist of the X and Z dimensions shown in the chart. Specify by adding the selected Bend Option Code to the terminal part no.

04 Terminal Bend Configurations



Bend Option Code	X (minimum)	Z	Available w/insulator base
R30	-.04	.28	No
R35	.01	.23	No
R36	.02	.22	No
R39	.05	.19	No
R42	.08	.16	No
R46	.12	.12	No
R48	.14	.10	No
R50	.16	.08	No

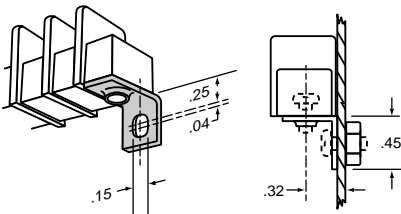
07 Terminal Bend Configurations



Bend Option Code	X (minimum)	Z	Available w/insulator base
R30	-.04	.55	Yes
R35	.01	.50	Yes
R36	.02	.49	Yes
R42	.08	.43	Yes
R46	.12	.39	Yes
R50	.16	.35	No
R53	.19	.32	No
R66	.32	.19	No
R69	.35	.16	No
R75	.41	.10	No
R77	.43	.08	No

Dimensions in inches. To convert to millimeters, multiply by 25.4.

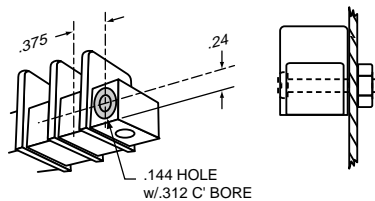
Angle Brackets (A2, LP2 only)



Option AB

Angle brackets enable block to be fastened at right angles to normal mount position. Bulk part no. **2AB**.

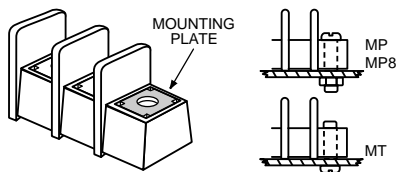
Drilled Right Angle (A2, LP2 only)



Option DR

Counterbored holes across mount ends of block enable fastening with two screws at right angles to normal position.

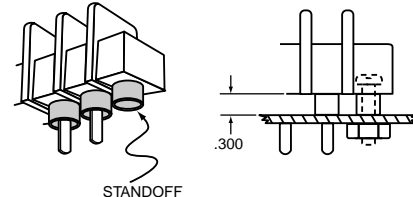
Mounting Plates



Options MP, MP8 & MT

MP Metal inserts with .150" dia. hole accept #6 screw. **MP8** Metal inserts with .187" dia. hole accept #8-32 screw. **MT** Metal inserts with tapped hole accept #6-32 screw.

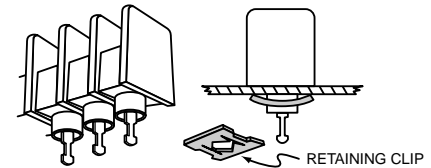
Standoffs



Option SO

Standoff mounts are tubes molded to the mounting positions. Available with insulator bases only.

Retaining Clip



Option RC

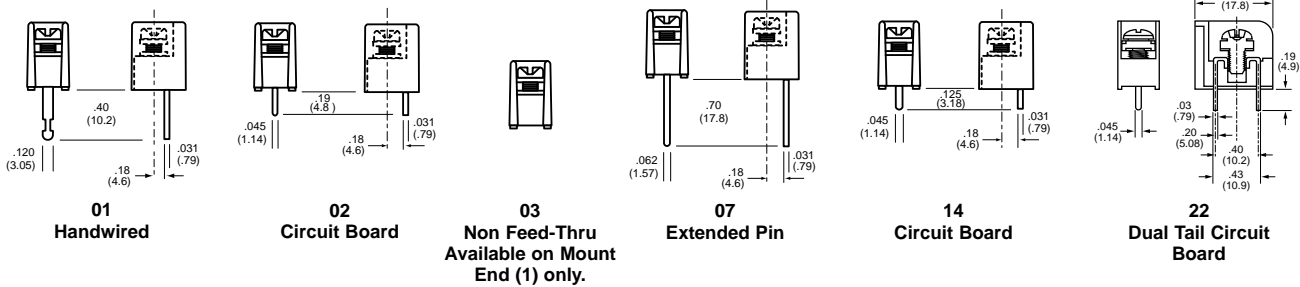
Use on standoff tubes. Fit panels up to .125" thick. Two clips for every five positions. Supplied unassembled. Bulk Part No. **H541**.

Series CB2000
Single Row Terminal Blocks

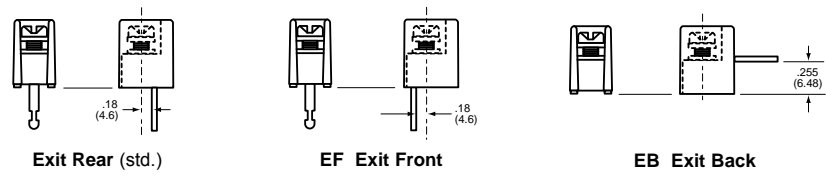
Part Numbering System

Series	Terminal Style	Base/End	Poles	Screws	Options
CB2	01 - handwired 02 - circuit board 03 - non feed-thru 07 - extended pin 14 - circuit board 22 - dual tail circuit board	1 - mount end 2 - barrier end	02 to 32 02 to 30 on mount end base	07 - steel SEMS standard 09 - brass SEMS nickel plated CA - captive screw 07CA - SEMS captive	AB - angle mounting brackets (pg 12) A7 to A9 - .250" QC B7 to B9 - .187" QC EB - exit back terminals EF - exit front terminals JA, JB & JC - barrier jumpers L1 to L6 marking options (pg 23) LT1 to LT6 marking options (pg 23) OJ2 & OJ4 - over barrier jumpers MP, MP8, MT & MT8 mtg. plates (pg 12) S1 - solder lug/flat

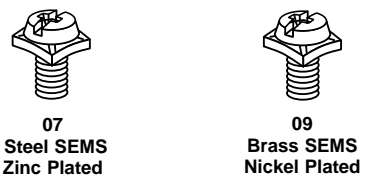
Terminal Styles Inches (Millimeters)



CB2 Terminal Exit Options Inches (Millimeters)



Screw Options Wire ready screws standard on all terminal styles



MAGNUM®

Series CB2000 Single Row Terminal Blocks *Continued*

Hardware Options (Bulk ordering part numbers are in parentheses.) Inches (Millimeters)

<p>Solder Lugs</p> <p>S1</p>	<p>Jumpers</p> <p>JA (JA2-XX)</p> <p>JB (JB2-XX)</p> <p>JC (JC2-XX)</p>	<p>Quick Connects Blade Width A = .250". Blade Width B = .187".</p> <p>OJ2</p> <p>OJ4</p>	<p>A7 & B7 (2A7 & 2B7)</p> <p>A8 & B8 (2A8 & 2B8)</p> <p>A9 & B9 (2A9 & 2B9)</p>
--	---	--	---

Mounting Options Inches (Millimeters)

Right Angle Mounting Bracket

- Mounts blocks on PC boards at a right angle.**
- Protects solder joints.
 - Recommended for all EB (Exit Back) PCB terminal blocks.
 - Bracket snaps securely on block (no hardware required).
 - Minimum strip length (end positions are usable).
 - Mount with #6-32 or #8-32 screws (not supplied).

Option AB

Mounting Plates

- Options MP, MP8, MT & MT8**
- MP** Metal inserts with .150" dia. hole accept #6 screw.
 - MP8** Metal inserts with .187" dia. hole accept #8-32 screw.
 - MT** Metal inserts with tapped hole accept #6-32 screw.
 - MT8** Metal inserts with tapped hole accept #8-32 screw.

Series A3000, LP3000 & CB3000 Single Row Terminal Blocks

SPECIFICATIONS

Rating: A3: 30A, 600V*
 LP3: 30A, 150V
 CB3: 30A, 600V

Center Spacing: .437" or 7/16" (11.10 mm)

Wire Size: #12-22 AWG CU

Screw Size: #6-32 zinc plated phillslot screws.

Torque Rating: 9 in.-lb. max.

Base: Standoffs standard for easy flux washing.

Distance Between Barriers: .32" (8.1 mm)

Recommended PCB Hole Diameter: .076" (1.93 mm);
 .062" (1.59 mm) on .045" terminals

Operating Temperature: 105°F (221°F) max., -40°C
 (-40°F) min.

Molded Material: Black, UL Rated 94VO Thermoplastic

Breakdown Voltage: 3500V rms (A3 & LP3); 8200V rms (CB3)

Approvals: UL E62622; CSA LR15364; IEC Compliance,
 CE Certified

*30A Rating achieved with a #10 copper wire crimped to a ring terminal;
 20 Rating without ring terminal.

A31940707WR

LP30110507

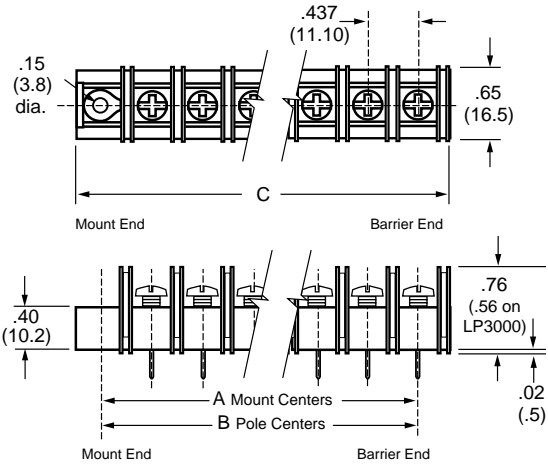
CB31420807



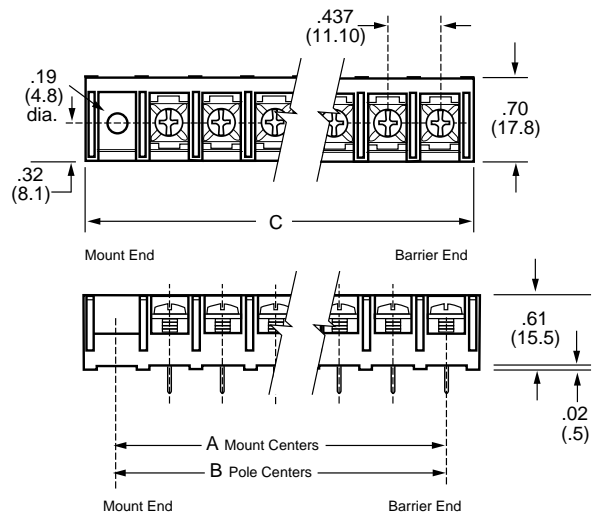
Poles	MOUNTING ENDS ONLY		BARRIER & MOUNTING ENDS B Pole Ctrs.	BARRIER ENDS ONLY C Length
	A Mount Ctrs.	C Length		
02	1.31	1.73	.43	.98
03	1.75	2.17	.87	1.43
04	2.18	2.61	1.31	1.87
05	2.62	3.05	1.75	2.31
06	3.06	3.48	2.18	2.75
07	3.50	3.92	2.62	3.18
08	3.93	4.36	3.06	3.62
09	4.37	4.80	3.50	4.06
10	4.81	5.23	3.93	4.50
11	5.25	5.67	4.37	4.93
12	5.68	6.11	4.81	5.37
13	6.12	6.55	5.25	5.81
14	6.56	6.98	5.68	6.25
15	7.00	7.42	6.12	6.68
16	7.43	7.86	6.56	7.12
17	7.87	8.30	7.00	7.56
18	8.31	8.73	7.43	8.00
19	8.75	9.17	7.87	8.43
20	9.18	9.60	8.31	8.87
21	9.62	10.05	8.50	9.31
22	10.06	10.48	9.18	9.75
23	10.50	10.92	9.62	10.18
24	10.93	11.36	10.06	10.62
25	11.37	11.80	10.50	11.06
26	11.81	12.23	10.93	11.50
27			11.37	11.93
28			11.81	12.37

Dimensions in inches. To convert to millimeters, multiply by 25.4.

A3000 & LP3000 Series



CB3000 Series



MAGNUM[®]

Series A3000 & LP3000 Single Row Terminal Blocks

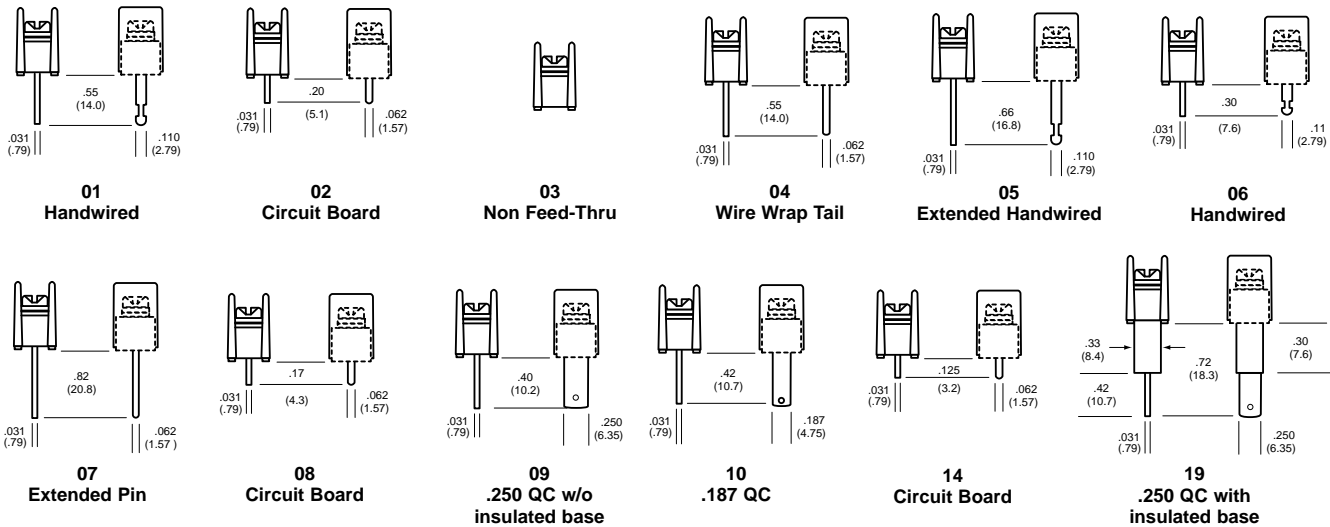
Part Numbering System

Series	Terminal Style	Base/End (Views pg. 15)	Poles	Screw Options	Options
A3 - standard barrier LP3 - low profile barrier	01 - handwired 02 - printed circuit 03 - non feed-thru 04 - wire wrap tail 06 - handwired 07 - extended pin 08 - printed circuit 09 - .250 QC w/o insulated base 10 - .187 QC 14 - printed circuit 19 - .250 QC with insulated base	1 - flat base/mnt. end 2 - flat base/barrier end 3 - insulator base/mnt. end 4 - insulator base/barrier end 5 - closed base/mount end	02 to 28 02 to 26 on mount end base	Blank - std. screw 00 - screws shipped bulk 03 - stainless steel 04 - brass nickel plated 07 - steel SEMS zinc plated (not available with hardware options) 09 - brass SEMS nickel plated (not available with hardware options) 03CA - stainless steel captive 04CA - brass captive 07CA - SEMS captive 09CA - brass SEMS captive 07WR - steel SEMS wire ready (N/A on LP3)	AB - angle mnt. options (pg 16) A1 to A9 - .250" QC B1 to B9 - .187" QC DR - drilled right angle (pg 16) J201 - flat slip-on jumper L1 to L6 marking options (pg 23) MP, MP8 & MT mounting plates (pg 16) OJ3 & OJ4 - over barrier jumpers RC - retaining clips (pg 16) R30 to R77 - right angle bends (pg 16) SO - stand off insulators (pg 16) S1 - solder lug/flat

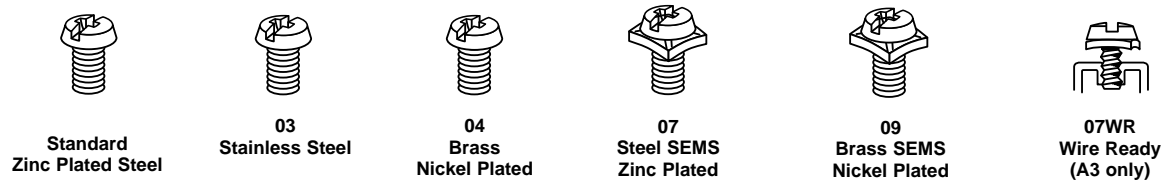
Base/End Note: 3, 4 styles not available with 02, 03, 06, 08, 09 & 14 terminals.
5 Style only available with 03 terminals.

Terminal Styles

Inches (Millimeters)



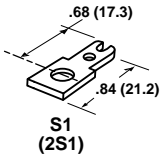
Screw Options



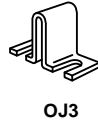
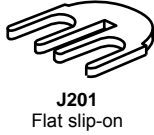
Hardware Options (Bulk ordering part numbers are in parentheses.)

Inches (Millimeters)

Solder Lugs

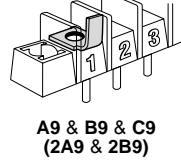
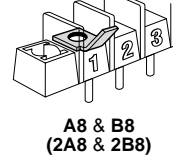
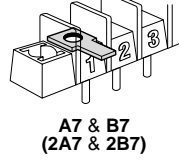
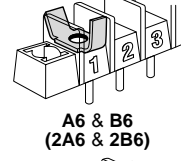
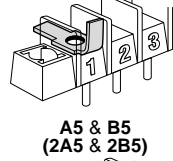
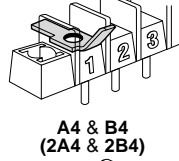
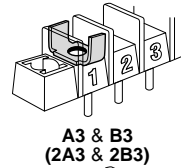
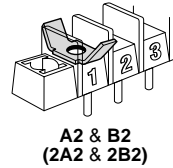
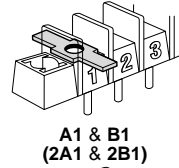


Jumpers

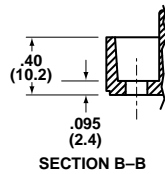
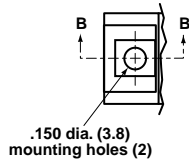


Quick Connects

Blade Width A = .250" Blade Width B = .187"



Base/End Options



1, 3 & 5 Mount Ends

MAGNUM®

Series A3000 & LP3000

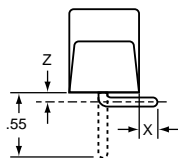
Single Row Terminal Blocks *Continued*

Mounting Options

Right Angle Bends (A3, LP3 only)

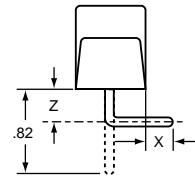
Right angle terminals are offered on the A3000 & LP3000 Series. Configurations are defined in these dimensions: X = pin extension beyond the block base; Z = length from block base to centerline of the terminal tip. Standard bends consist of the X and Z dimensions shown in the chart. Specify by adding the selected Bend Option Code to the terminal part no.

04 Terminal Bend Configurations



Bend Option Code	X (minimum)	Z	Available w/insulator base
R30	-.04	.28	No
R35	.01	.23	No
R36	.02	.22	No
R39	.05	.19	No
R42	.08	.16	No
R46	.12	.12	No
R48	.14	.10	No
R50	.16	.08	No

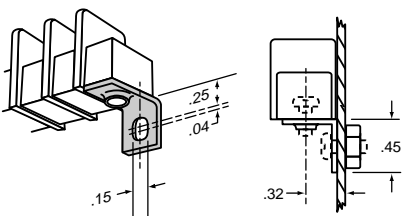
07 Terminal Bend Configurations



Bend Option Code	X (minimum)	Z	Available w/insulator base
R30	-.04	.55	Yes
R35	.01	.50	Yes
R36	.02	.49	Yes
R50	.16	.35	No
R53	.19	.32	No
R66	.32	.19	No
R69	.35	.16	No
R75	.41	.10	No
R77	.43	.08	No

Dimensions in inches. To convert to millimeters, multiply by 25.4.

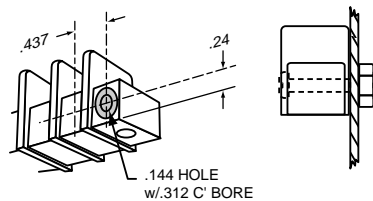
Angle Brackets (A3, LP3 only)



Option AB

Angle brackets enable block to be fastened at right angles to normal mount position. Bulk part no. **2AB**.

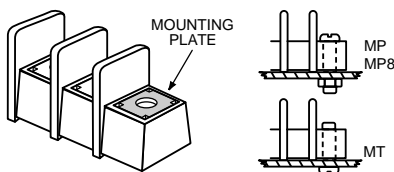
Drilled Right Angle (A3, LP3 only)



Option DR

Counterbored holes across mount ends of block enable fastening with two screws at right angles to normal mount position.

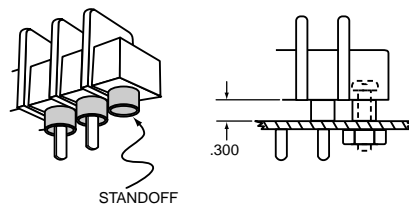
Mounting Plates



Options MP, MP8 & MT

MP Metal inserts with .150" dia. hole accept #6 screw. **MP8** Metal inserts with .187" dia. hole accept #8-32 screw. **MT** Metal inserts with tapped hole accept #6-32 screw.

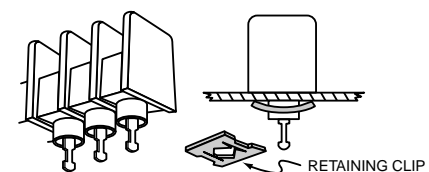
Standoffs



Option SO

Standoff mounts are tubes molded to the mounting positions. Available with insulator bases only.

Retaining Clip



Option RC

Use on standoff tubes. Fit panels up to .125" thick. Two clips for every five positions. Supplied unassembled. Bulk Part No. **H541**.

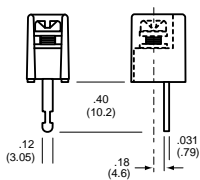
Series CB3000
Single Row Terminal Blocks

Part Numbering System

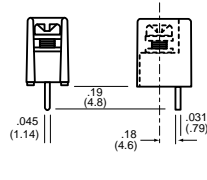
Series	Terminal Style	Base/End	Poles	Screws	Options
CB3	nn	n	nn	nnnn	nnn
CB3 - closed back	01 - handwired #6-32 screw 02 - circuit board #6-32 screw 03 - non feed-thru #6-32 screw 07 - extended pin #6-32 screw 14 - circuit board #6-32 screw 51 - handwired #8-32 screw 52 - circuit board #8-32 screw 53 - non feed-thru #8-32 screw 57 - extended pin #8-32 screw 64 - circuit board #8-32 screw	1 - mount end 2 - barrier end 5 - closed base/ mount end	02 to 28 02 to 26 on mount end base	07 - steel SEMS 09 - brass SEMS nickel plated 07CA - SEMS captive	AB - angle mounting brackets (pg 18) A7 to A9 - .250" QC B7 to B9 - .187" QC EB - exit back terminals EF - exit front terminals L1 to L6 marking options (pg 23) LT1 to LT6 marking options (pg 23) OJ3 & OJ7 - over barrier jumpers MP, MP8, MT & MT8 mtg. plates (pg 18) S1 - solder lug/flat
Base/End Note: 5 Style only available with 03 terminals.					

Terminal Styles

Inches (Millimeters)



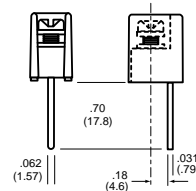
01
Handwired #6-32 screw
51
#8-32 screw



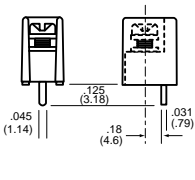
02
Circuit Board #6-32 screw
52
#8-32 screw



03
Non Feed-Thru #6-32 screw
53
#8-32 screw
Available on Mount End (5)



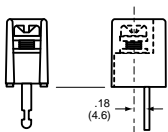
07
Extended Pin #6-32 screw
57
#8-32 screw



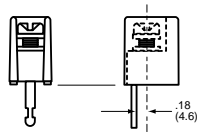
14
Circuit Board #6-32 screw
64
#8-32 screw

CB3 Terminal Exit Options

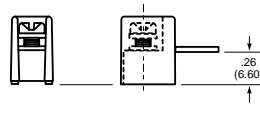
Inches (Millimeters)



Exit Rear (std.)



EF
Exit Front



EB
Exit Back

Screw Options

Wire ready screws standard on all terminal styles



07
Steel SEMS
Zinc Plated



09
Brass SEMS
Nickel Plated

MAGNUM[®]

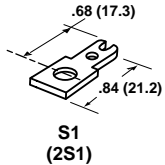
Series CB3000

Single Row Terminal Blocks *Continued*

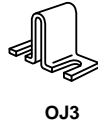
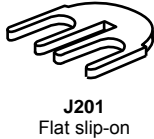
Hardware Options (Bulk ordering part numbers are in parentheses.)

Inches (Millimeters)

Solder Lugs

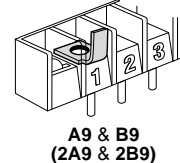
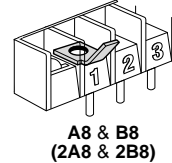
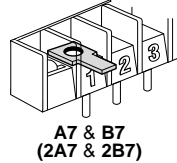


Jumpers



Quick Connects

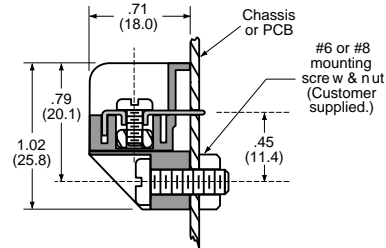
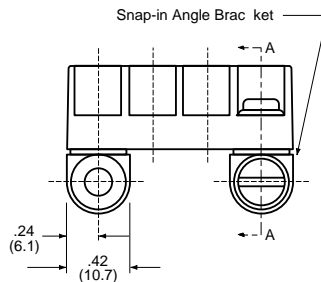
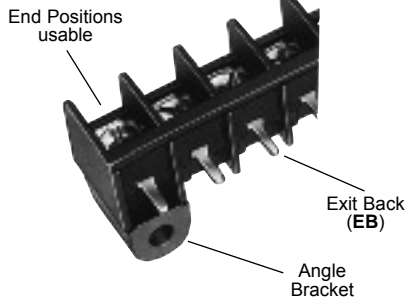
Blade Width A = .250". Blade Width B = .187".



Mounting Options

Inches (Millimeters)

Right Angle Mounting Bracket

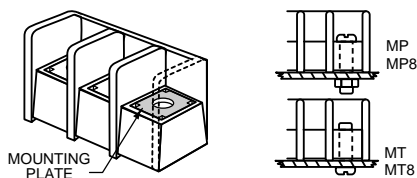


Option AB

Mounts blocks on PC boards at a right angle.

- Protects solder joints.
- Recommended for all EB (Exit Back) PCB terminal blocks.
- Bracket snaps securely on block (no hardware required).
- Minimum strip length (end positions are usable).
- Mount with #6-32 or #8-32 screws (not supplied).

Mounting Plates



Options MP, MP8, MT & MT8

- MP** Metal inserts with .150" dia. hole accept #6 screw.
- MP8** Metal inserts with .187" dia. hole accept #8-32 screw.
- MT** Metal inserts with tapped hole accept #6-32 screw.
- MT8** Metal inserts with tapped hole accept #8-32 screw.

Series A38 / B38
Single Row Terminal Blocks

SPECIFICATIONS

Rating: A38: 30A, 600V
B38: 50A, 600V
Center Spacing: .437" (11.10 mm)
Wire Size: #10-22 AWG CU
Screw Size: #8-32 Zinc Plated Steel
Torque Rating: A38: 9 in-lb; B38: 15 in-lb
Distance Between Barriers: .378" (9.60mm)
Operating Temperature: 221°F (105°C)
Molded Material: Black, UL Rated 94VO Thermoplastic
Breakdown Voltage: 5000V rms
Recommended PCB Hole Diameter (A38): .076" (1.93mm)
Approvals: UL E62622; CSA LR15364; CE Certified

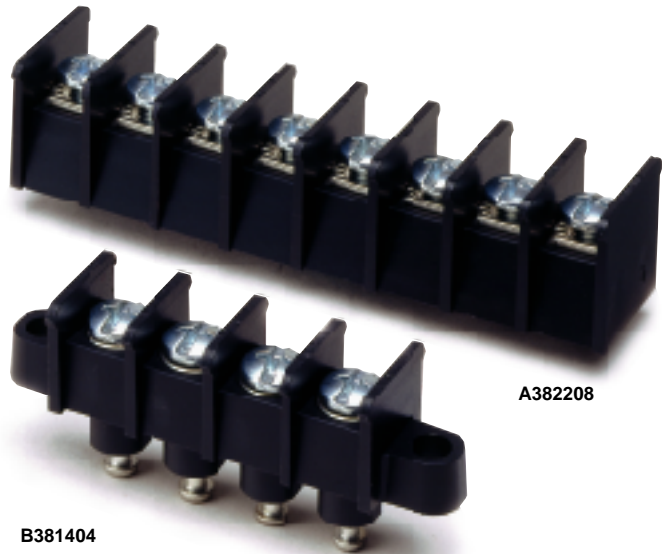
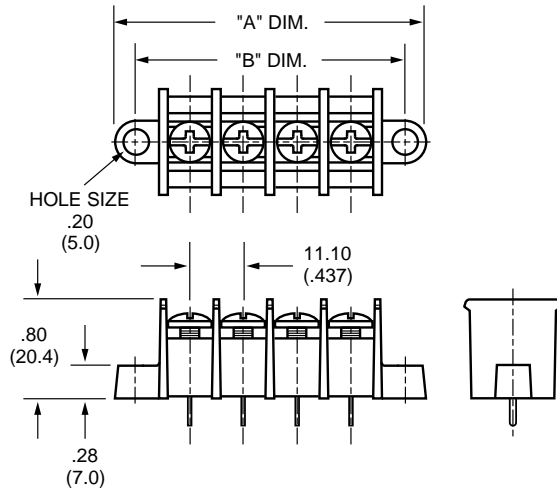


TABLE A

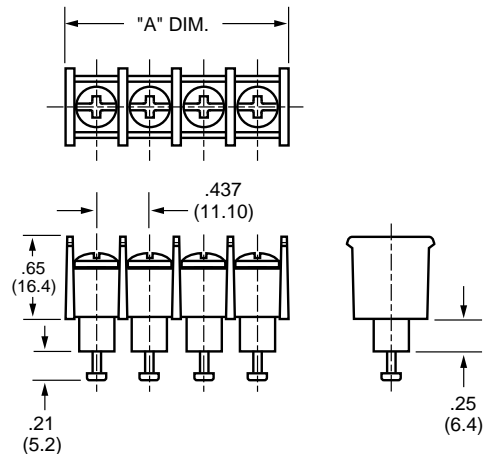
Poles	MOUNTING ENDS ONLY		BARRIER ENDS ONLY
	B Mount Ctrs.	"A" Dim. Length	"A" Dim. Length
02	1.31	1.67	0.93
03	1.75	2.10	1.37
04	2.19	2.54	1.81
05	2.62	2.98	4.05
06	3.06	3.41	2.68
07	3.50	3.85	3.12
08	3.93	4.29	3.56
09	4.37	4.72	3.99
10	4.81	5.16	4.43
11	5.24	5.60	4.87
12	5.68	6.04	5.30
13	6.12	6.47	5.74
14	6.56	6.91	6.18
15	6.99	7.35	6.61
16	7.43	7.78	7.05

* Dimensions in inches. To convert to millimeters, multiply by 25.4.

Series A38



Series B38

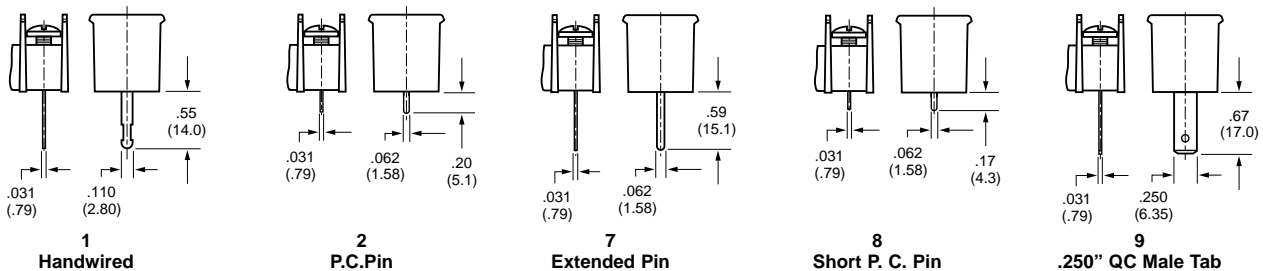


MAGNUM®

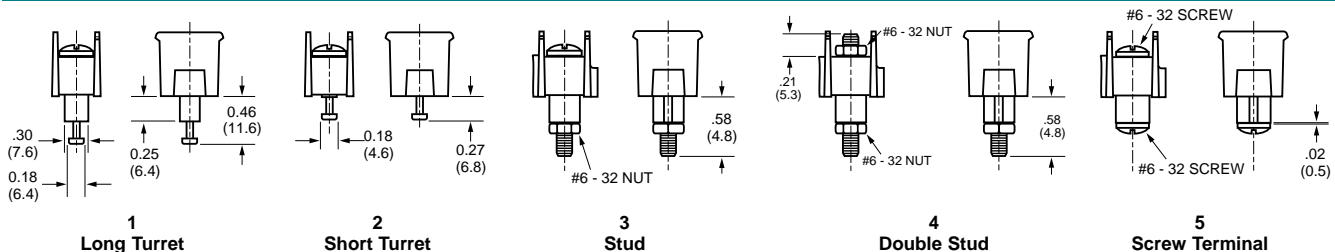
Part Numbering System

Series	Terminal Style	Base/End	# of Poles	Screw Options	Options
A A A	n	n	n n	n n	n n
	<ul style="list-style-type: none"> 1 - hand wired 2 - pc tail 7 - extended wire wrap 8 - short pc tail 9 - .250" QC male tab 	<ul style="list-style-type: none"> 1 - flat base, mount ends 2 - flat base, barrier ends 3 - insulator base* mount ends 4 - insulator base* barrier ends <p>*N/A on 2 & 8 terminal styles.</p>	02 to 16	<ul style="list-style-type: none"> Blank - standard screw (steel zinc plated, philslot BHMS) 04 - brass, nickel plated, philslot BHMS 07 - steel, SEMS zinc plated philslot screw 92 - steel, zinc plated slotted BHMS 94 - brass, nickel plated slotted BHMS 	<ul style="list-style-type: none"> L1 to L6 marking options (pg 23) RC - retaining clips (pg 16) Covers - (pg 24)
B A A	n	n	n n	n n	n n
	<ul style="list-style-type: none"> 1 - long turret 2 - short turret 3 - screw terminal #6-32 screw top & bottom) 4 - stud (#8-32 screw top, #6-32 screw bottom) 5 - double stud (#6-32 stud top & bottom) 	<ul style="list-style-type: none"> 0 - flat base, mount ends 4 - insulator base, barrier ends 9 - insulator base mount ends 	02 to 16	<ul style="list-style-type: none"> Blank - standard screw steel zinc plated philslot BHMS) 04 - brass, nickel plated, philslot BHMS 32 - #6-32 zinc plated steel philslot BHMS* 34 - #6-32 nickel plated brass philslot BHMS* 92 - steel, zinc plated slotted BHMS 94 - brass, nickel plated slotted BHMS 	<ul style="list-style-type: none"> L1 to L6 marking options (pg 23) RC - retaining clips (pg 16) Covers - (pg 24) <p>*Note: 32 & 34 screws only available with 3 terminal style.</p>

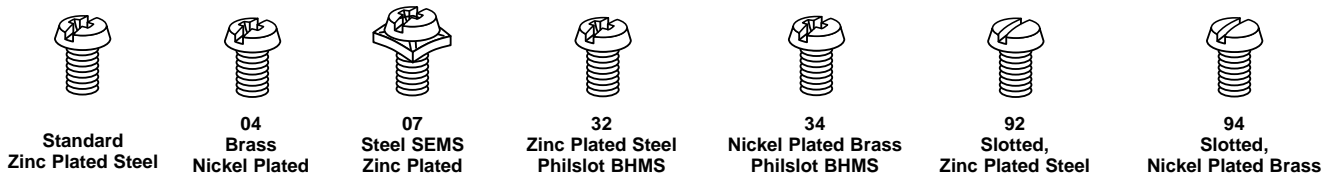
A38 Terminal Styles Wire ready screws standard



B38 Terminal Styles



Screw Options



Series A4000 & Series B4000

Single Row Terminal Blocks

SPECIFICATIONS

Rating: See table.

Center Spacing: .562" or 9/16" (14.28 mm)

Wire Size: See rating table.

Screw Size: #8-32 or #10-32 zinc plated screws

Torque Rating: #8 screw size 16 in-lb. max; #10 screw size 20 in-lb. max.

Distance Between Barriers: .47" (11.9 mm)

Operating Temperature: 105°C (221°F) max., -40°C (-40°F) min.

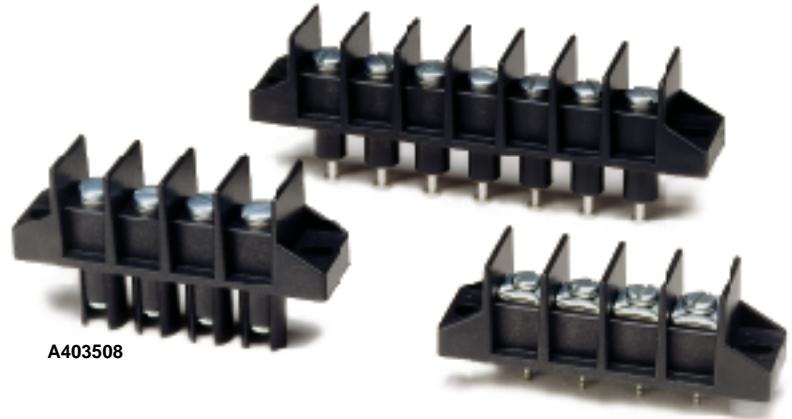
Molded Material: Black, UL Rated 94VO Thermoplastic

Hardware: Bottom studs supplied with nuts assembled.

Cup washers are optional on bottom studs but are not recommended with ring terminals.

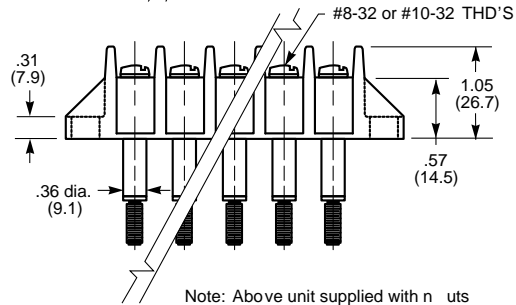
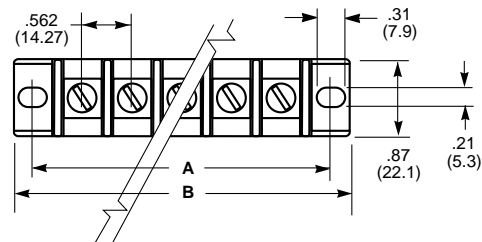
Extended Hex Nuts: Optional extended, slotted hex nuts enable easier installation and removal with hex wrench or screwdriver. Available in bulk for the #10-32 studs on Series A4953 blocks. Specify part no. F582 and quantity.

Approvals: UL E62622; CSA LR15364; CE Certified



A403508

A4000 Series



Note: Above unit supplied with nuts assembled. Cup washers are optional.

RATING TABLE

Part Number	Terminal Top	Terminal Bottom	Wire Range CU	Rated Current
A4003XX	# 8 Screw	#8 Stud	10-16 AWG	150V; 50 amps
A4011XX	# 8 Screw	Solder	10-16 AWG	600V; 35 amps
A4013XX	# 8 Screw	Solder	10-16 AWG	600V; 35 amps
A4021XX	# 8 Screw	.250 QC	10-16 AWG	600V; 35 amps
A4035XX	# 8 Screw	Closed	10-16 AWG	600V; 50 amps
A4041XX	#10 Screw	Solder	10-16 AWG	600V; 35 amps
A4051XX	#10 Screw	250 QC	10-16 AWG	600V; 35 amps
A4803XX	#10 Screw	#8 Stud	10-16 AWG	150V; 50 amps
A4813XX	#10 Screw	Solder Turret	10-16 AWG	600V; 35 amps
A4843XX	#10 Screw	#8 Screw	10-16 AWG	150V; 50 amps
A4953XX	#10 Stud	#10 Stud	10-16 AWG	150V; 50 amps
B4843XX	#10 Screw	#8 Screw	10-16 AWG	600V; 50 amps

* All models 30A Max. with 10 AWG; 35-50A ratings with 8 AWG using ring or fork type terminals.

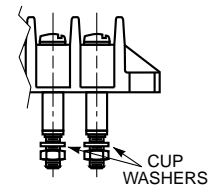
Note: 1. 50A rating achieved with #8 copper wire crimped to ring terminal.
2. Insulated ring terminal required for bottom termination on B4843XX.

Poles	A (in.) Mount Centers	B (in.) Length
2	1.69	2.12
3	2.25	2.68
4	2.81	3.24
5	3.37	3.80
6	3.93	4.36
7	4.50	4.93
8	5.06	5.34
9	5.62	6.05
10	6.18	6.61
11	6.74	7.17
12	7.31	7.74
13	7.87	8.30
14	8.43	8.86
15	8.99	9.44
16	9.55	9.98
17	10.12	10.55
18	10.68	11.11

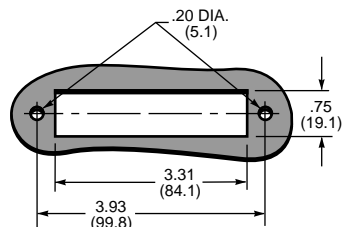
* Dimensions in inches. To convert to millimeters, multiply by 25.4.

Optional Cup Washers Assembled

Available on A4003, A4803, A4843, A4953 & B4843.



Reference Panel Cutout for 6 Position Block

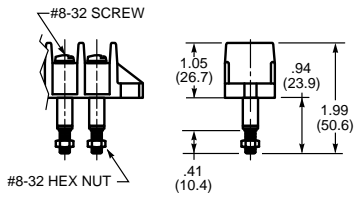


Part Numbering System

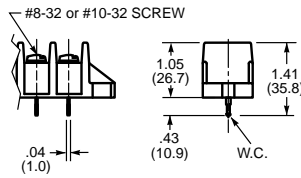
Series	Terminal Style	Base/End	Poles	Screw Options	Options
A A4 - standard B4 - barrier	n n 00 - screw top; stud bottom 01 - screw top; solder bottom 02 - #8 screw top; .250 QC bottom 03 - screw top only 04 - #10 screw top; solder term. b. 05 - #10 screw top; .250 QC bottom 80 - screw top; stud bottom insulated base 81 - screw top; solder turret bottom 84 - screw top; screw bottom 95 - stud top; stud bottom	n 1 - flat base/ mount end 3 - insulator base/ mount end 5 - closed base/ mount end	n n 02 to 18	n n Blank - std. screw 00 - screws shipped bulk 04 - brass nickel plated 07 - steel SEMS zinc plated (not available with hardware options; not available on A4003, A4803, A4813, A4843, B4843)	n n A1 to A9 - .250" QC CW - cup washer J301 - flat slip-on jumper (2 position only) L1 to L6 marking options (pg 23) S1 & S2 - solder lugs/flat

Terminal Styles

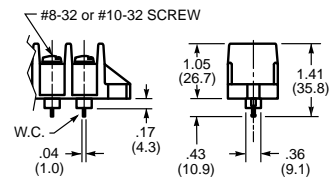
Inches (Millimeters)



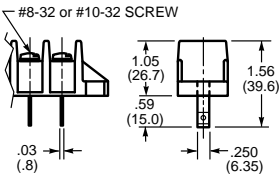
A4003XX



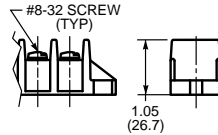
A4011XX (#8-32)
A4041XX (#10-32)



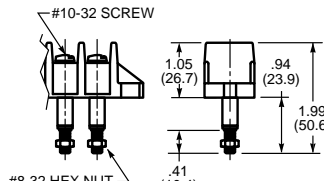
A4013XX (#8-32)
A4043XX (#10-32)



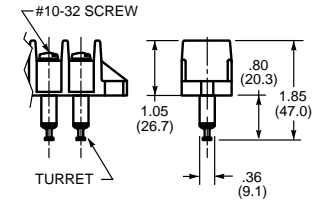
A4021XX (#8-32)
A4051XX (#10-32)



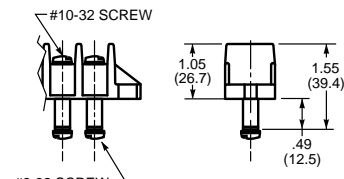
A4035XX



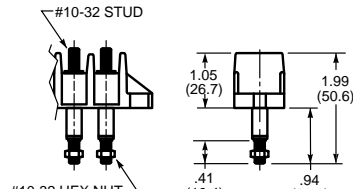
A4803XX



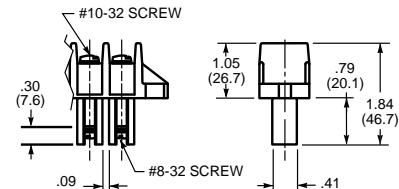
A4813XX



A4843XX



A4953XX

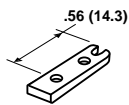


B4843XX

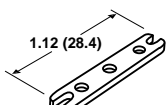
Hardware Options (Bulk ordering part numbers are in parentheses.)

Inches (Millimeters)

Solder Lugs



S1
(2S1)



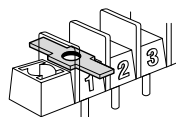
S2
(2S2)

Jumpers

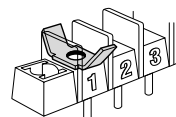


J301

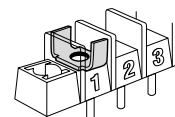
Quick Connects Blade Width A = .250". (For other orientations, contact factory.)



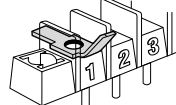
A1
(4A1)



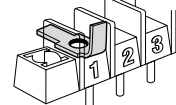
A2
(4A2)



A3
(4A3)



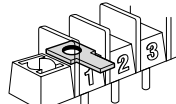
A4
(4A4)



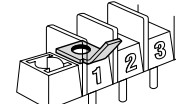
A5
(4A5)



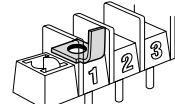
A6
(4A6)



A7
(4A7)



A8
(4A8)



A9
(4A9)

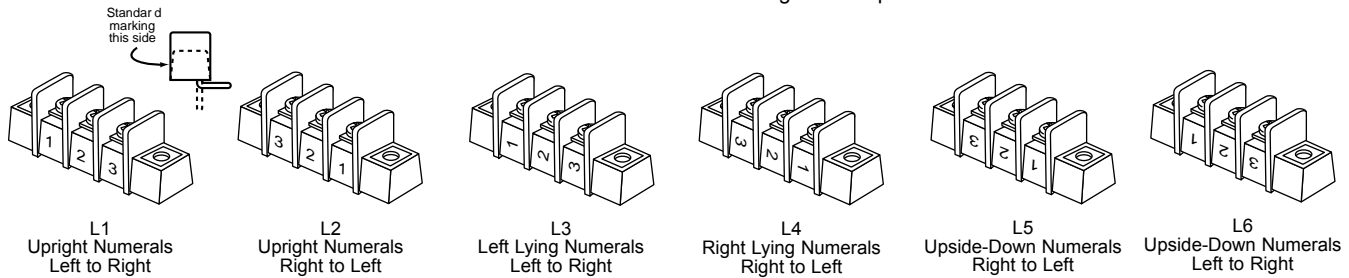
All Series Marking Options Single Row Terminal Blocks

Marking Options & Accessories

Standard Marking

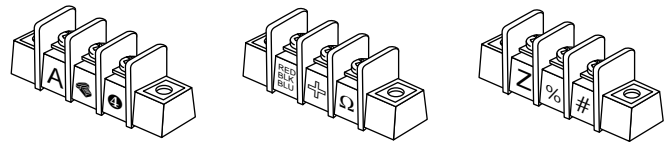
Markings are applied directly to the sides of Series 1000, 2000, 3000, 4000 & 5000. Standard characters are white and 1/8" high. Factory may substitute 3/32" high characters.

Blocks to be marked on both sides require a different code for each side. Example: "L1" on one side of the block requires "L2" on the other side to ensure common terminal marking. Specify by adding suffix to part no.



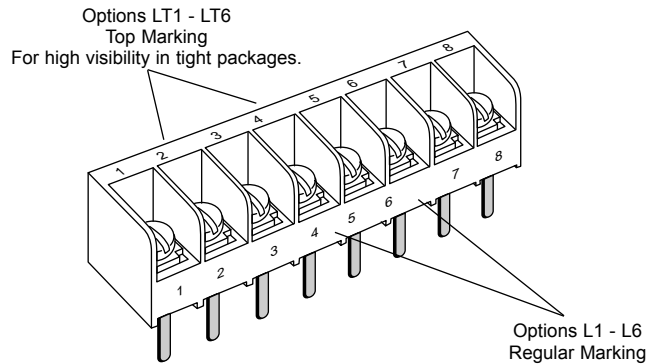
Special Marking

Special markings are available for Series 1000, 2000, 3000, 4000 & 5000 at an additional charge for preparation. Production charges for setup, handling and marking are the same as for standard marking and the same quantity discounts apply. Consult factory for price and delivery.



Closed Barrier Terminal Block Marking Options

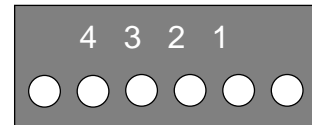
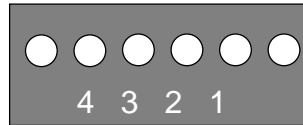
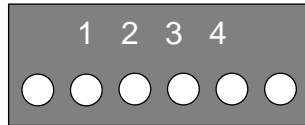
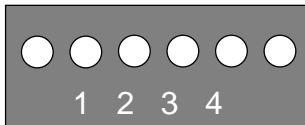
- L1 & LT1 = Upright numerals, numbered from left to right
- L2 & LT2 = Upright numerals, numbered from right to left
- L3 = Left lying numerals, numbered from left to right
- L4 = Right lying numerals, numbered from right to left
- L5 & LT5 = Upside down numerals, numbered from right to left
- L6 & LT6 = Upside down numerals, numbered from left to right



Marker Strips

Black marker strips with white numerals mount beneath the terminal blocks to clearly identify terminal and wire positions. Available with

forward or reverse markings, top or bottom of strip. If special markings are required, submit a drawing.



Series

M 6 n n

- MS1 - 1000 Series
- MS2 - 2000 Series
- MS3 - 3000 Series

Base

n

- 1 - mount end, feed thru
- 2 - barrier end, feed thru
- 3 - mount end, insulator tubes
- 4 - barrier end, insulator tubes
- 5 - mount end, non feed-thru

Poles

n n

- 02 to 36

Marking

n n

- BF - bottom forward
- TF - top forward
- BR - bottom reverse
- TR - top reverse

MAGNUM®

All Series Accessories

Single Row Terminal Blocks Continued

Cover Options - Single Row

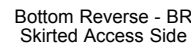
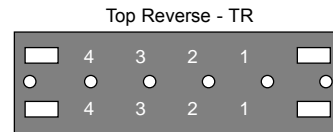
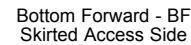
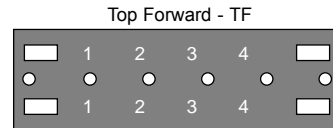
Terminal Block Covers

Available for Series A1000, A2000, A3000, LP3000, CB2000 & CB3000. Three styles of thermoplastic covers are offered in yellow or black. Covers are ordered separately and supplied with two clips each, unless ordered without clips. Optional markings may be specified (black on yellow; white on black).

Notes: Covers can not be used with mounting plate options MP & MT.
Covers can not be used with certain quick connect terminals.
Covers can not be used with 0, 6, & 9 base/end styles on A2 or A3

Bulk Cover Clips: Series 1000 = CC1; Series 2000 & 3000 = CC2.

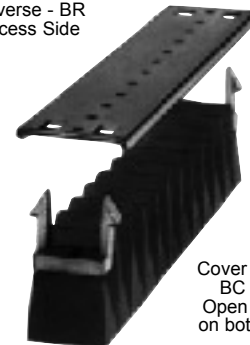
Standard Cover Markings



Cover Options
BB & CB
Skirted access
on both sides.



Cover Options
BO & CO
Skirted access
on one side only.



Cover Options
BC & TC
Open access
on both sides.

Cover	Series	Poles	Markings	Options
nn	n	nn	nn	nn
BB - skirted access, both sides, black CB - skirted access, both sides, yellow BO - skirted access, one side, black CO - skirted access, one side, yellow BC - open access, both sides, black TC - open access, both sides, yellow	1 - 1000 2 - 2000 3 - 3000	02 to 36	BF - bottom forward TF - top forward BR - bottom reverse TR - top reverse	00 - without clips

New Snap-On Covers for A38/B38 Series & CB2/CB3 Series



Poles
n A n - n n A38 Series
n B n - n n B38 Series



Poles
n A n - n n CB2 Series
n B n - n n CB3 Series

MAGNUM[®]

2004 NEW PRODUCT RELEASE

TS Series Surface Mount Terminal Strips

Specifications

Ratings: 17 – 76A, 600V

Center spacing: 8.00mm-13.50 mm

Wire Size: AWG 4 -22

Number of poles: 2 – 12

Screw: Zinc plated Steel

Molded Material: Polyamide 66, UL rated 94V2

Operating temperature: 105 C

Approvals: UL, cUL, VDE



Introducing the Cooper Bussmann - Magnum TS Series surface mount terminal strips for reliable, cost-effective, easy to use terminal strip applications. Available in a variety of circuit configurations and center spacing, raised base and/or wire protector optional.

Contact your local Magnum Sales Representative, Authorized Distributor or call Cooper Bussmann Magnum for more details.

Cooper Bussmann - Magnum Operations 175 Hansen Court Wood Dale, IL 60191

www.magnumtb.com (888)-937-6246

Revision 040104

Series TB100 Double Row Terminal Blocks

SPECIFICATIONS

Rating: UL: 20A, 250V*
 CSA: 20A, 150V*
 Center Spacing: .375" or 3/8" (9.52 mm)
 Wire Size: #14 - 22 AWG CU
 Screw Size: #6-32 philslot screws
 Torque Rating: 9 in-lb. max.
 Distance Between Barriers: .30" (7.62 mm)
 Mounting: #6 screws
 Materials: Molded base: Black, UL rated 94VO thermoplastic
 Terminal plating: Tin over brass; Screws: Zinc plated steel
 Operating Temperature: 130°C (260°F) max., -40°C (-40°F) min.
 Breakdown Voltage: 3600V rms
 Approvals: UL E62622; CSA LR15364; IEC Compliance;
 CE Certified

* Max. rating shown; some options may be rated lower - consult factory.



TB100-08

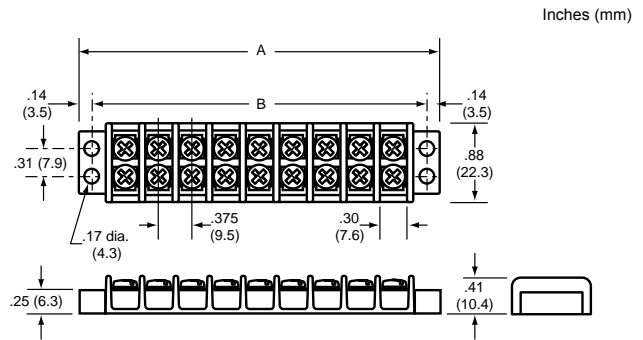


TB100-045P

Poles	A	B	Poles	A	B	Poles	A	B
02	1.40	1.12	14	5.90	5.62	26	10.40	10.12
03	1.78	1.50	15	6.28	6.00	27	10.78	10.50
04	2.16	1.88	16	6.66	6.38	28	11.16	10.88
05	2.53	2.25	17	7.03	6.75	29	11.53	11.25
06	2.90	2.62	18	7.40	7.12	30	11.90	11.62
07	3.28	3.00	19	7.78	7.50	31	12.28	12.00
08	3.66	3.38	20	8.16	7.88	32	12.66	12.38
09	4.03	3.75	21	8.53	8.25	33	13.03	12.75
10	4.40	4.12	22	8.90	8.62	34	13.40	13.12
11	4.78	4.50	23	9.28	9.00	35	13.78	13.50
12	5.16	4.88	24	9.66	9.38	36	14.16	13.88
13	5.53	5.25	25	10.03	9.75			

* Dimensions in inches. To convert to millimeters, multiply by 25.4.

TB100



Part Numbering System

Series

TB100

Poles

nn

02 to 36

Screw Options

nn

Blank - std. screws
 00 - screws shipped bulk
 B - brass philslot, nickel plated
 BS - brass Sems philslot, nickel plated
 SP - steel Sems philslot, zinc plated
 ST - stainless steel, philslot

Marking

nn

L1 to L6 - std. marking
 Marker strips (pg 33)
 Covers (pg 32)

Hardware Options

nnnn

QC1 to QC20 - quick connects

Screw Options



B
Brass Philslot
Nickel Plated



BS
Brass SEMS
Philslot Nickel Plated



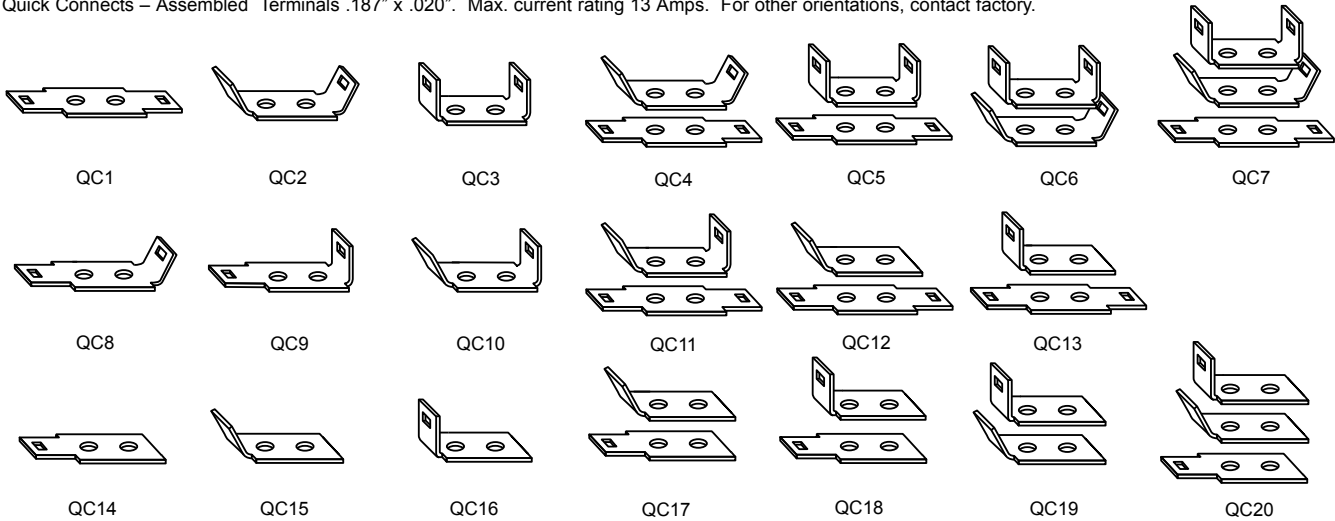
SP
Steel SEMS
Philslot Zinc Plated



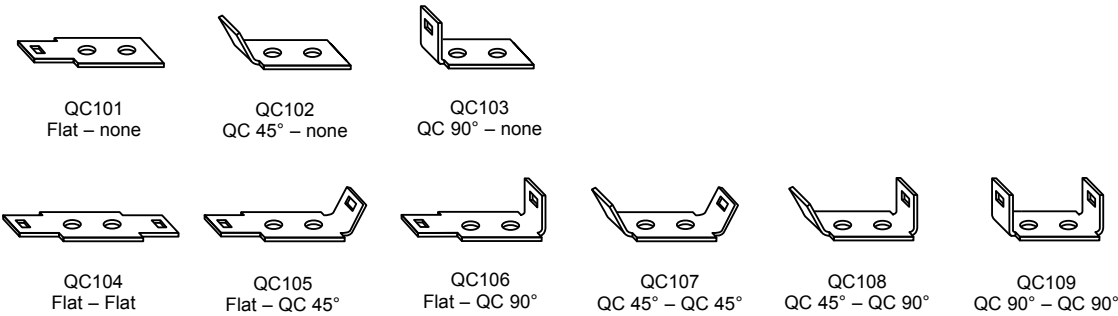
ST
Stainless Steel
Philslot

Hardware Options

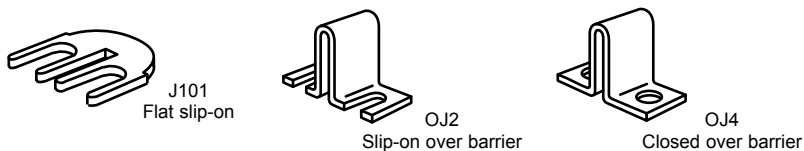
Quick Connects – Assembled Terminals .187" x .020". Max. current rating 13 Amps. For other orientations, contact factory.



Quick Connects – Bulk Min. order per part no. – 100 pieces.



Jumpers – Bulk Min. order per part no. – 100 pieces. Contact factory for jumper assembly.



Series TB200 & TB200HB Double Row Terminal Blocks

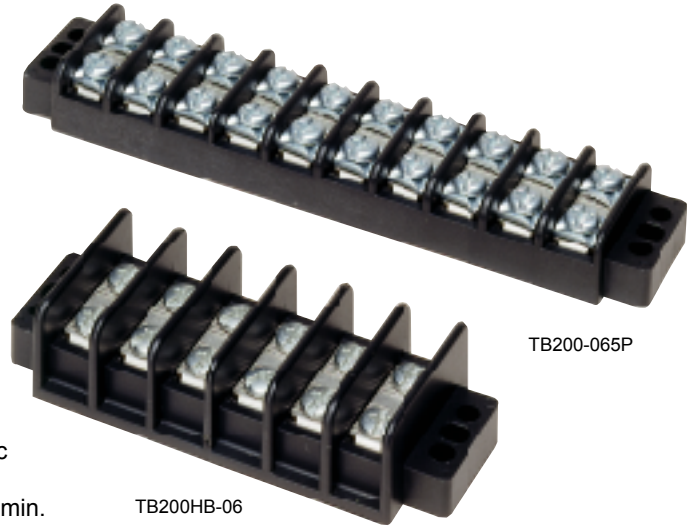
SPECIFICATIONS

Rating: TB200 – 20A, 300V*
 TB200HB – 20A, 600*.
 Center Spacing: .437" or 7/16" (11.10 mm)
 Wire Size: #12 - 22 AWG CU
 Screw Size: #6-32 phillslot screws
 Torque Rating: 9 in-lb. max.
 Distance Between Barriers: .353" (8.97 mm)
 Mounting: #6 screws
 Materials: Molded base: Black, UL rated 94VO thermoplastic
 Terminal plating: Tin over brass; Screws: Zinc plated steel
 Operating Temperature: 130°C (260°F) max., -40°C (-40°F) min.
 Breakdown Voltage: 4800V rms
 Approvals: UL E62622; CSA LR15364; IEC Compliance;
 CE Certified

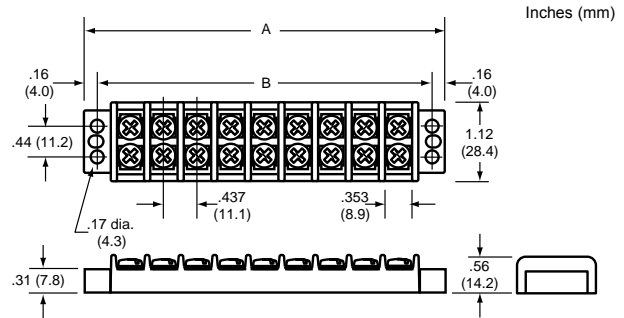
* Max. rating shown; some options may be rated lower - consult factory.

Poles	A	B	Poles	A	B	Poles	A	B
02	1.63	1.31	12	6.00	5.68	22	10.37	10.06
03	2.07	1.75	13	6.44	6.12	23	10.81	10.50
04	2.51	2.18	14	6.87	6.56	24	11.25	10.93
05	2.94	2.62	15	7.31	7.00	25	11.68	11.37
06	3.38	3.06	16	7.75	7.43	26	12.12	11.81
07	3.82	3.50	17	8.19	7.87	27	12.56	12.25
08	4.25	3.93	18	8.62	8.31	28	13.00	12.68
09	4.69	4.37	19	9.06	8.75	29	13.44	13.12
10	5.13	4.81	20	9.50	9.18	30	13.87	13.56
11	5.57	5.25	21	9.94	9.62			

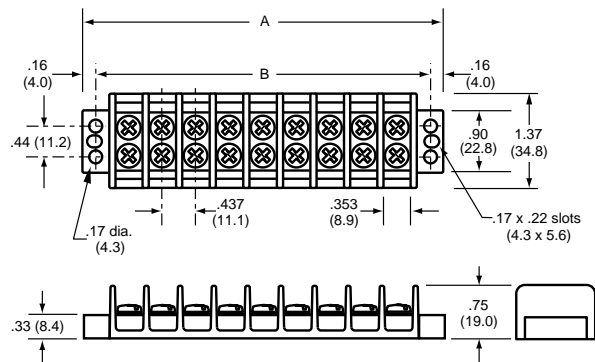
* Dimensions in inches. To convert to millimeters, multiply by 25.4.



TB200



TB200HB



Part Numbering System

Series

TB200nn-nn

200 - Standard
 200HB - High barrier

Poles

02 to 30

Screw Options

nn

Blank - std. screws
 00 - screws shipped bulk
 B - brass phillslot, nickel plated
 BS - brass Sems phillslot, zinc plated
 SP - steel Sems phillslot, zinc plated
 ST - stainless steel, phillslot

Marking

nn

L1 to L6 - std. marking
 Marker strips (pg 33)
 Covers (pg 32)

Hardware Options

nnnn

QC1 to QC20 - quick connects

Screw Options



B
Brass Phillips
Nickel Plated



BS
Brass SEMS
Phillips Nickel Plated



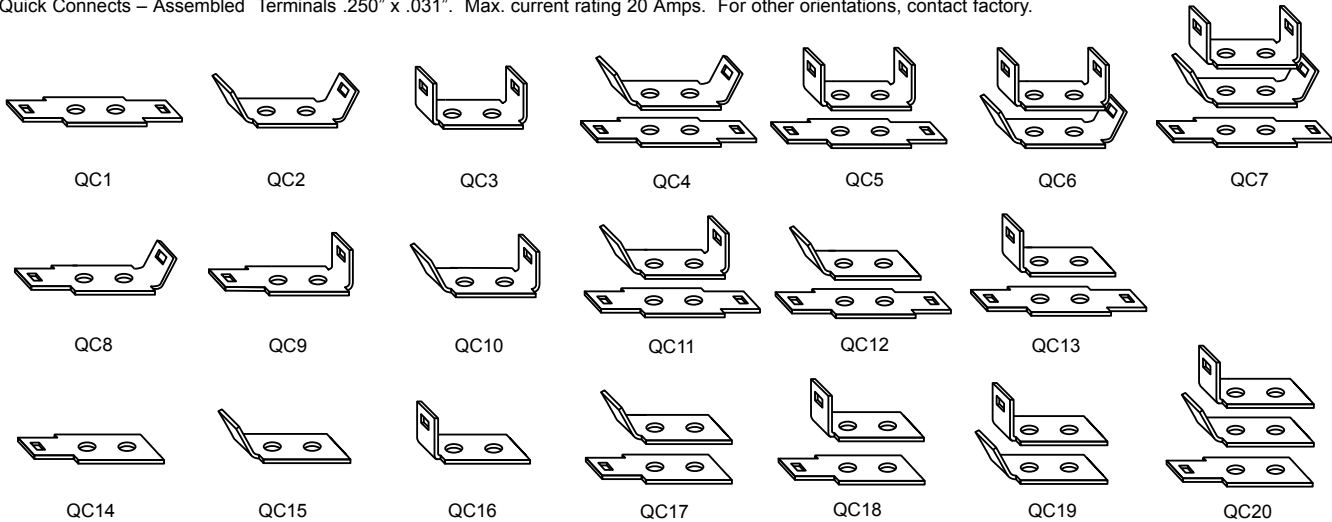
SP
Steel SEMS
Phillips Zinc Plated



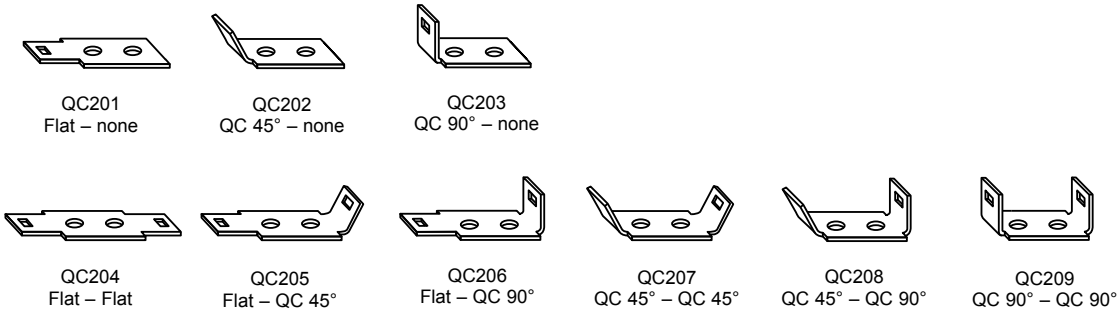
ST
Stainless Steel
Phillips

Hardware Options

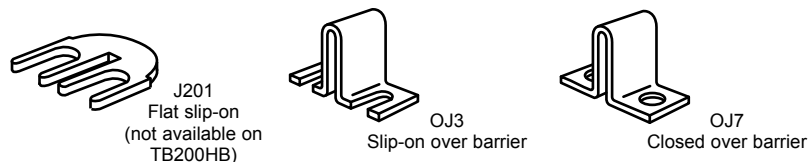
Quick Connects – Assembled Terminals .250" x .031". Max. current rating 20 Amps. For other orientations, contact factory.



Quick Connects – Bulk Min. order per part no. – 100 pieces.



Jumpers – Bulk Min. order per part no. – 100 pieces. Contact factory for jumper assembly.



Series TB300 & TB345 Double Row Terminal Blocks

SPECIFICATIONS

Rating: TB300 – 30A, 600V*

TB345 – 45A, 600V*

Center Spacing: .562" or 9/16" (14.28 mm)

Wire Size: #10 - 22 AWG CU

Screw Size: TB300 – #8-32 philslot screws
TB345 – #10-32 philslot screws

Torque Rating: #8 screws - 16 in-lb.;

#10 screws - 20 in-lb.

Distance Between Barriers: .41" (10.5 mm)

Mounting: TB300 – #8 screws; TB345 – #10 screws

Material: Molded base: Black, UL rated 94VO thermoplastic

Terminal plating: Tin over brass; Screws: Zinc plated steel

Operating Temperature: 130°C (260°F) max., -40°C (-40°F) min.

Breakdown Voltage: 7500V rms

Approvals: UL E62622; CSA LR15364; IEC Compliance;
CE Certified

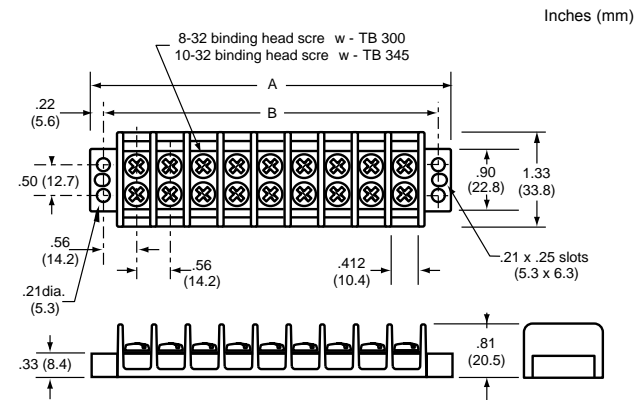
* Max. rating shown; some options may be rated lower - consult factory.



Poles	A	B	Poles	A	B	Poles	A	B
02	2.13	1.69	10	6.62	6.19	18	11.12	10.68
03	2.69	2.25	11	7.18	6.75	19	11.68	11.25
04	3.25	2.81	12	7.75	7.31	20	12.24	11.81
05	3.81	3.37	13	8.31	7.87	21	12.80	12.37
06	4.37	3.94	14	8.87	8.44	22	13.37	12.93
07	4.94	4.50	15	9.43	9.00	23	13.93	13.50
08	5.50	5.06	16	9.99	9.56	24	14.49	14.06
09	6.06	5.62	17	10.56	10.12			

* Dimensions in inches. To convert to millimeters, multiply by 25.4.

TB300 & TB345



Part Numbering System

Series	Poles	Screw Options	Marking	Hardware Options
TB300	nn	nn	nn	nnnnn
300 - 8/32 screw 345 - 10/32 screw	02 to 24	Blank - std. screws 00 - screws shipped bulk B - brass philslot, nickel plated BS - brass Sems philslot, zinc plated (TB300 only) SP - steel Sems philslot, zinc plated ST - stainless steel, philslot	L1 to L6 - std. marking Marker strips (pg 33) Covers (pg 32)	QC1 to QC20 - quick connects (TB300 only)

Screw Options



B
Brass Phillips
Nickel Plated



BS
Brass SEMS
Phillips Nickel Plated



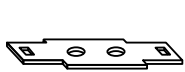
SP
Steel SEMS
Phillips Zinc Plated



ST
Stainless Steel
Phillips

Hardware Options

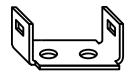
Quick Connects – Assembled TB300 only. Terminals .250" x .031". Max. current rating 20 Amps. For other orientations, contact factory.



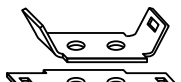
QC1



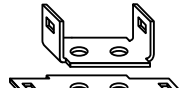
QC2



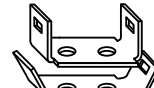
QC3



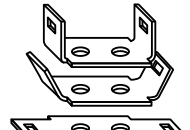
QC4



QC5



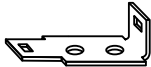
QC6



QC7



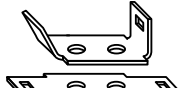
QC8



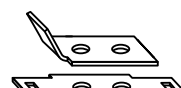
QC9



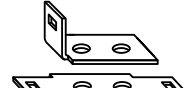
QC10



QC11



QC12



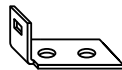
QC13



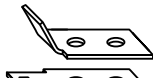
QC14



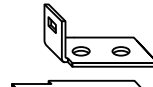
QC15



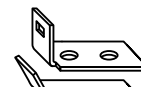
QC16



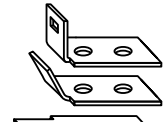
QC17



QC18



QC19



QC20

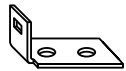
Quick Connects – Bulk *TB300 only. Min. order per part no. – 100 pieces.



QC201
Flat – none



QC202
QC 45° – none



QC203
QC 90° – none



QC204
Flat – Flat



QC205
Flat – QC 45°



QC206
Flat – QC 90°



QC207
QC 45° – QC 45°



QC208
QC 45° – QC 90°

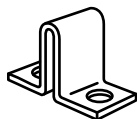


QC209
QC 90° – QC 90°

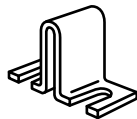
Jumpers – Bulk Min. order per part no. – 100 pieces. Contact factory for jumper assembly.



J301
Flat slip-on
(TB300 only)



OJ6
Closed over barrier



OJ11
Slip-on over barrier

Series TB400 Double Row Terminal Blocks

SPECIFICATIONS

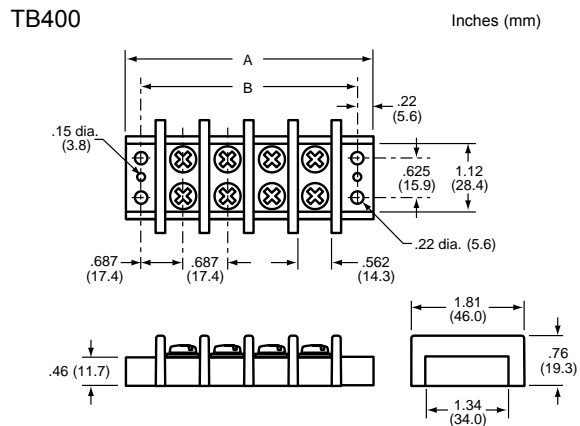
Rating: 75A, 600V*
 * 75A max. with pressure terminal connector and #4 AWG;
 30A max. with #10 AWG;
 Center Spacing: .687" or 11/16" (17.45 mm)
 Wire Size: #10-14 AWG CU
 Screw Size: #10-32 philslot screws
 Torque Rating: 20 in-lb.
 Distance Between Barriers: .56" (14.3 mm)
 Mounting: #10 screws
 Material: Molded base: Black, UL rated 94VO thermoplastic
 Terminal plating: Tin over brass; Screws: Zinc plated steel
 Operating Temperature: 130°C (260°F) max., -40°C (-40°F) min.
 Breakdown Voltage: 7500V rms
 Approvals: UL E62622; CSA LR15364; IEC Compliance;
 CE Certified



TB400-05

Poles	A	B	Poles	A	B	Poles	A	B
02	2.51	2.06	06	5.26	4.81	10	8.01	7.56
03	3.20	2.75	07	5.95	5.50	11	8.70	8.25
04	3.89	3.44	08	6.64	6.19	12	9.39	8.94
05	4.58	4.13	09	7.33	6.88			

* Dimensions in inches. To convert to millimeters, multiply by 25.4.



Screw Options



B
Brass Philslot
Nickel Plated



ST
Stainless Steel
Philslot

Part Numbering System

Series	Poles	Screw Options	Marking	Hardware Options
TB400	- nn 02 to 12	nn Blank - std. screws 00 - screws shipped bulk B - brass philslot, nickel plated ST - stainless steel, philslot	Not available	Not available

MAGNUM®

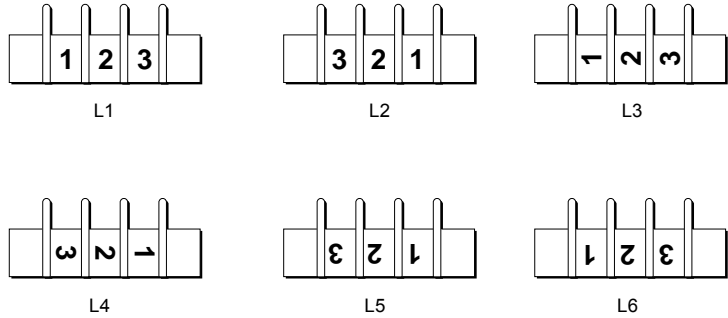
All Series Marking Options & Accessories Double Row Terminal Blocks

Marking Options

Standard Marking

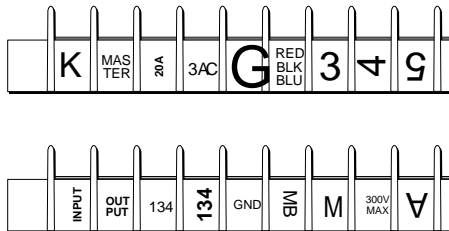
Standard markings are applied directly to the side(s) of a block. Standard color is white. Standard height is .125".

Note: Blocks marked on both sides require a different code for each side. Example Style L1 on one side of the block requires Style L2 on the other side to ensure common terminal marking. To order, add appropriate suffix (L1, L2, L3, L4, L5 and/or L6) to block part number in the proper sequence.



Special Marking

Special markings are available at an additional charge for preparation. Production charges for setup, handling and marking are the same as for standard marking. Drawing(s) must be submitted to ensure accuracy of part required. Consult factory for price and delivery.



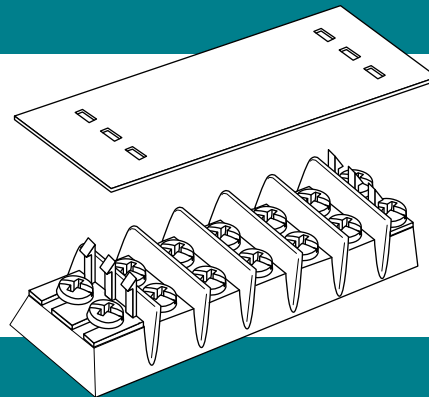
Note: Marking is not available on TB400 Series

Covers

Covers prevent personnel, screws and foreign items from contacting live terminals. Available in white or clear plastic. Two cover clips supplied with each cover. Cover width is 1.31 inches.

All covers must be ordered separately. Consult factory for special legends.

Example: 10 position cover, white, TB100 Series, no legends . . . Part No. is X12010.



Part Numbering System

Series	Cover Strip	Poles	Cover Clips – Bulk
	nnn	nn	Part Number
	120 - TB100/white	02 to 36 (TB100)	DD1 – TB100 Series
	119 - TB100/clear	02 to 30 (TB200/TB200HB)	DD2 – TB200 Series
	220 - TB200 & TB200HB* - white	02 to 24 (TB300/TB345)	DD2HB – TB200HB Series
	219 - TB200 & TB200HB* - clear		DD3 – TB300 Series
	320 - TB300 & TB345 - white		
	319 - TB300 & TB345 - clear		

Note: Covers are not available on TB400 Series.
* For use on TB200HB, specify HB after Part No. i.e., X21902HB

Top & Bottom Marking Strips Double Row Terminal Blocks

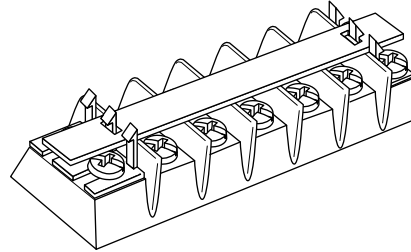
Top Marker Strips

Top mounting marker strips are available in white (opaque) plastic. Two cover clips are supplied with each marker strip.

All top marker strips must be ordered separately. Consult factory for special legends.

Example: 12 position cover, TB200, .032" x .312", with no legends . . . Part No. is X20312.

Example: 12 position cover, TB200HB, .060" x .500", with no legends . . . Part No. is X23312HB.



Part Numbering System

Series	Top Marker Strip	Poles
	nnn	nn
	133 - TB100 (.060 thk x .500w)	02 to 36 (TB100)
	103 - TB100 (.032 thk x .312w)	02 to 30 (TB200/TB200HB)
	233 - TB200 & TB200HB* (.060 thk x .500w)	02 to 24 (TB300/TB345)
	203 - TB200 & TB200HB* (.032 thk x .312w)	
	333 - TB300 & TB345 (.060 thk x .500w)	
	303 - TB300 & TB345 (.032 thk x .380w)	

Note: Marking Strips are not available on TB400 Series.

* For use on TB200HB, specify HB after Part No. i.e., X23302HB

Bottom Marker Strips

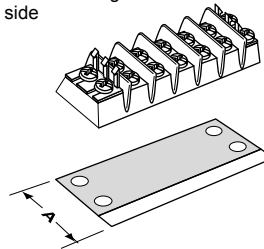
Bottom mounting marker strips are made of black PVC, .030" thick. Space is available to handle most marking situations. All marker strips must be ordered separately.

To order, specify part number, required legends and (BF) bottom forward, (BR) bottom reverse, (TF) top forward, or (TR) top reverse. Consult factory for specials.

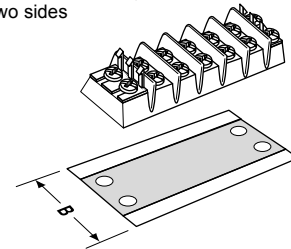
Example: 13 position strip, TB100 with no legends, space for marking one side . . . Part No. is X10513.

Position for legends (one side, two sides) can be specified standard. Standard legend height is .125". Standard legends are 0-99 and A-Z. Special legends are available on special order. Drawing(s) must be submitted to ensure accuracy of part required.

Space for marking one side



Space for marking two sides



	TB100	TB200	TB200HB	TB300	TB345	TB400
Dim. A	1.13"	1.37"	1.62"	1.58"	1.58"	N/A
Dim. B	1.38"	1.62"	1.81"	1.81"	1.81"	N/A

Part Numbering System

Series	Bottom Marker Strip	Poles	Orientation
	nnn	nn	nn
	105 - TB100 – marking one side	02 to 36 (TB100)	BF – bottom forward
	101 - TB100 – marking both sides	02 to 30 (TB200/TB200HB)	BR – bottom reverse
	205 - TB200 – marking one side	02 to 24 (TB300/TB345)	TF – top forward
	201 - TB200 – marking both sides		TR – top reverse
	295 - TB200HB – marking one side		
	291 - TB200HB – marking both sides		
	305 - TB300 & TB345 – marking one side		
	301 - TB300 & TB345 – marking both sides		

Note: Marking Strips are not available on TB400 Series.

MAGNUM[®]

2004 NEW PRODUCT RELEASE

EM2939 Series

Specifications

Rating: 120A 600V*

Center spacing: 15.00 mm

Wire Size: AWG 2 -20

Number of poles: 2 – 8

Screw: M5

Molded Material: Nylon, UL rated 94V-0

Torque rating: 15 in\lb

Operating temperature: 105 C

Approvals: UL and CUL pending

*600V achieved without bottom cover (-NC option)



EM2929 Series

Specifications

Rating: 65A 300V

Center spacing: 10.16 mm

Wire Size: AWG 6 -20

Number of poles: 2 - 8

Screw: M4

Molded Material: Nylon, UL rated 94V-0

Torque rating: 15 in\lb

Operating temperature: 105 C

Approvals: UL and CUL pending

5.08 mm spacing block
also shown for reference

Introducing the Cooper Bussmann Magnum EM2929 and EM2939 high current EuroMag terminal blocks, for use in high current printed circuit board applications. Parts available in 10.16 mm and 15.00 mm center spacing, and constructed of highly durable UL rated 94 V-0 nylon material.

Contact your local Magnum Sales Representative, Authorized Distributor or call Cooper Bussmann Magnum for more details.

Cooper Bussmann - Magnum Operations 175 Hansen Court Wood Dale, IL 60191

www.magnumtb.com (888)-937-6246

Revision 040104

MAGNUM®

EM2505 Series Euro-Mag Terminal Blocks Stackable, 5.08 Centers

SPECIFICATIONS

Rating: 15A, 300V
 Center Spacing: .200" (5.08 mm)
 Consult factory for .300" (7.62 mm) and .400" (10.16 mm)
 Wire Size: #12-22 AWG
 Housing Material: Green Polyamide Type 6/6, 94VO
 Contact Material: Brass Tin Plated
 Screw Size: M 3x5 Zinc Plated Steel
 Operating Temperature: 105°C (221°F) max., -40°C (-40°F) min.
 Torque Rating: 4.5 in-lb. max.
 Recommended PCB Hole Diameters: .055" (1.40)
 Construction: Modular design features dove-tails for interlocking to achieve longer lengths.
 Approvals: UL E62622; CSA LR701941; CE Certified

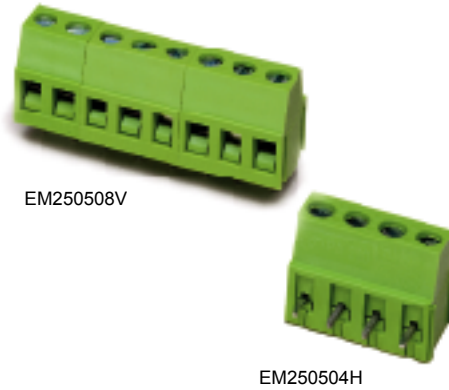
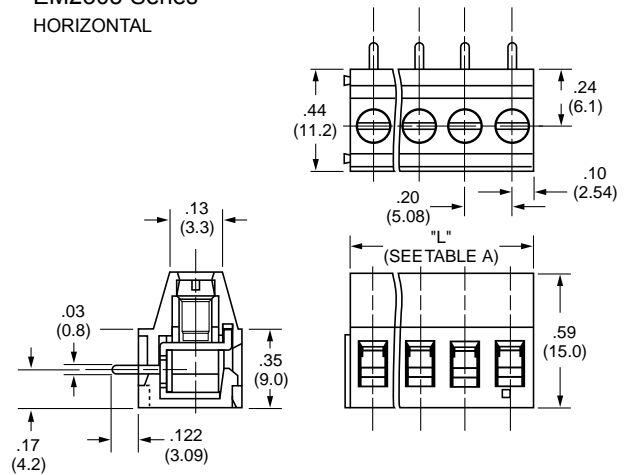


TABLE A

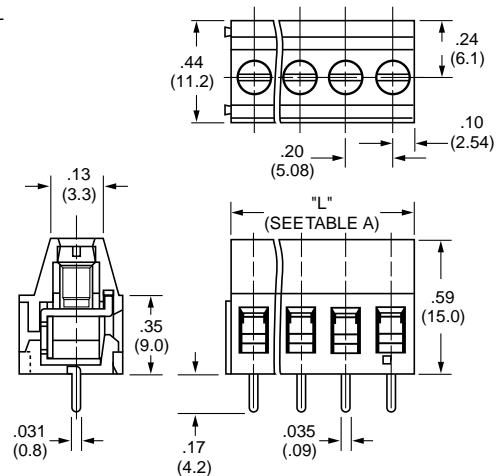
Position	L (mm)	Position	L (mm)
02*	10.16	14	71.12
03*	15.24	15	76.20
04	20.32	16	81.28
05	25.40	17	86.36
06	30.48	18	91.44
07	35.56	19	96.52
08*	40.64	20	101.60
09	45.72	21	106.68
10	50.80	22	111.76
11	55.88	23	116.84
12	60.96	24	121.92
13	66.04		

* Mold To Length
 To convert to inches, divide by 25.4

EM2505 Series
HORIZONTAL



VERTICAL



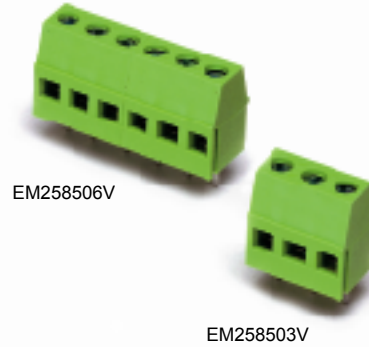
Part Numbering System

Series	# of Positions	Orientation
EM2505	nn	n
	02 to 24	H - horizontal V - vertical

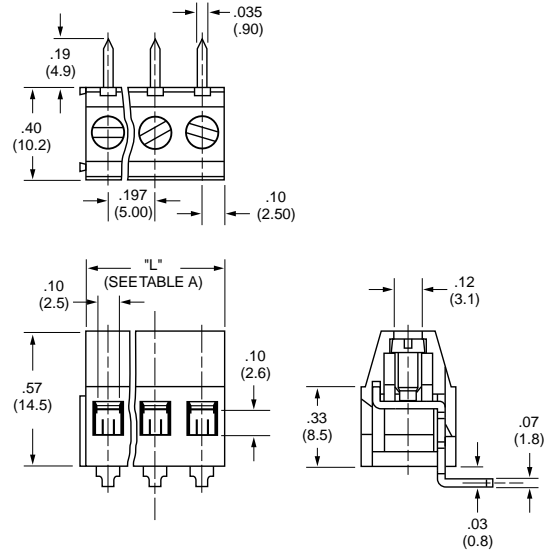
EM2585 Series
Euro-Mag Terminal Blocks
 Stackable, 5.00 Centers

SPECIFICATIONS

Rating: 15A, 300V
 Center Spacing: .197" (5.00 mm)
 Consult factory for .393" (10.00 mm)
 Wire Size: #12-22 AWG
 Housing Material: Green Polyamide Type 6/6, 94VO
 Contact Material: Brass Tin Plated
 Screw Size: M 3x5 Zinc Plated Steel
 Operating Temperature: 105°C (221°F) max., -40°C (-40°F) min.
 Torque Rating: 4.5 in-lb. max.
 Recommended PCB Hole Diameters: .055" (1.40)
 Construction: Modular design features dove-tails for interlocking to achieve longer lengths.
 Approvals: UL E62622; CSA LR701941; CE Certified



EM2585 Series
 HORIZONTAL



VERTICAL

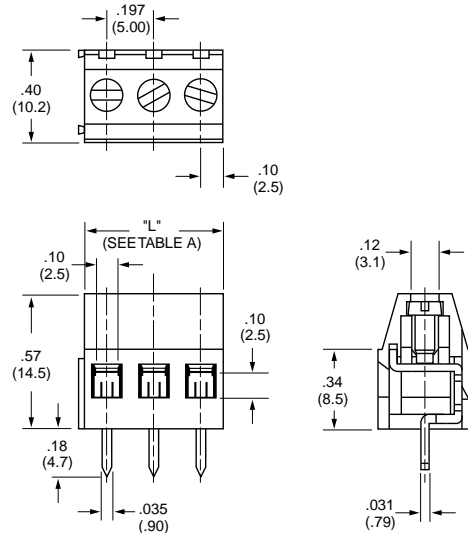


TABLE A

Position	L (mm)	Position	L (mm)
02*	10.00	14	70.00
03*	15.00	15	75.00
04	20.00	16	80.00
05	25.00	17	85.00
06	30.00	18	90.00
07	35.00	19	95.00
08	40.00	20	100.00
09	45.00	21	105.00
10	50.00	22	110.00
11	55.00	23	115.00
12	60.00	24	120.00
13	65.00		

* Mold To Length
 To convert to inches, divide by 25.4

Part Numbering System

Series	# of Positions	Orientation
EM2585	nn	n
	02 to 24	H - horizontal V - vertical

MAGNUM®

EM3503 Series Euro-Mag Terminal Blocks 3.81 Centers

SPECIFICATIONS

Rating: 10A, 125V
 Center Spacing: .150" (3.81 mm)
 Wire Size: #16 AWG
 Housing Material: Green Polyamide Type 6/6, 94VO
 Contact Material: Brass Tin Plated
 Screw Size: M 2x3 Zinc Plated Steel
 Operating Temperature: 105°C (221°F) max., -40°C (-40°F) min.
 Torque Rating: 4.5 in-lb.
 Recommended PCB Hole Diameters: .055" (1.40)
 Construction: Mold to Length
 Approvals: UL & CSA Approvals Pending; CE Certified

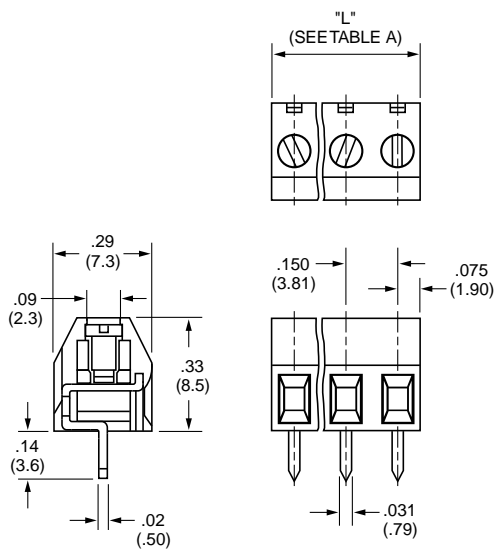


TABLE A

Position	L (mm)
02	7.61
03	11.42

To convert to inches, divide by 25.4

EM3503 Series



Part Numbering System

Series # of Positions

EM3503 nn

02
03

EM2665 Series
Euro-Mag Terminal Blocks
5.00 Centers

SPECIFICATIONS

Rating: 15A, 300V
 Center Spacing: .197" (5.00 mm)
 Consult factory for .393" (10.00 mm)
 Wire Size: #14-22 AWG
 Housing Material: Green Polyamide Type 6/6, 94VO
 Contact Material: Brass Tin Plated
 Screw Size: M 3x5 Zinc Plated Steel
 Operating Temperature: 105°C (221°F) max., -40°C (-40°F) min.
 Torque Rating: 4.5 in-lb.
 Recommended PCB Hole Diameters: .055" (1.40)
 Construction: Mold to Length
 Approvals: UL E62622; CSA LR 701941; CE Certified

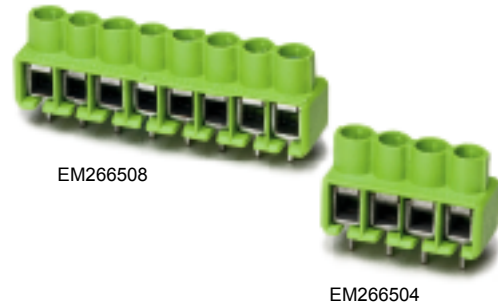
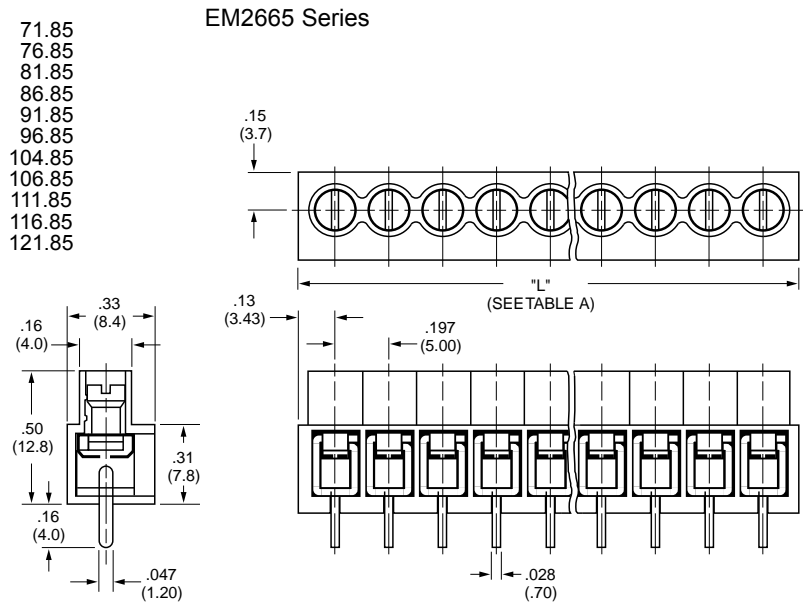


TABLE A

Position	L (mm)	Position	L (mm)
02	11.85	14	71.85
03	16.85	15	76.85
04	21.85	16	81.85
05	26.85	17	86.85
06	31.85	18	91.85
07	36.85	19	96.85
08	41.85	20	104.85
09	46.85	21	106.85
10	51.85	22	111.85
11	56.85	23	116.85
12	61.85	24	121.85
13	66.85		

To convert to inches, divide by 25.4

EM2665 Series



Part Numbering System

Series # of Positions

EM2665 **nn**

02 to 24

MAGNUM®

EM3665 Series Euro-Mag Terminal Blocks Stackable, 5.00 Centers

SPECIFICATIONS

Rating: 10A, 300V
 Center Spacing: .197" (5.00)
 Wire Size: #16-22 AWG
 Housing Material: Green Polyamide Type 6/6, 94VO
 Contact Material: Tin Plated Brass
 Screw Size: M 2.5x5 Zinc Plated Steel
 Operating Temperature: 105°C (221°F) max., -40°C (-40°F) min.
 Torque Rating: 3.0 in-lb.
 Recommended PCB Hole Diameters: .055" (1.40)
 Construction: Modular design features dove-tails for interlocking to achieve longer lengths.
 Agency Approvals: UL & CSA Approvals Pending;
 CE Certified



EM366502

EM3665 Series

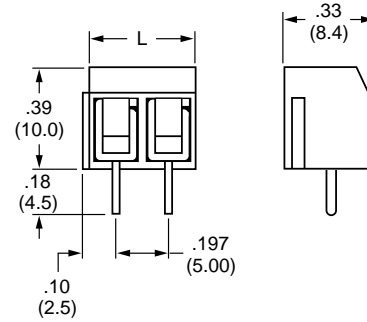


TABLE A

Poles	L (mm)	Poles	L (mm)
2	10.00	14	70.00
3	15.00	15	75.00
4	20.00	16	80.00
5	25.00	17	85.00
6	30.00	18	90.00
7	35.00	19	95.00
8	40.00	20	100.00
9	45.00	21	105.00
10	50.00	22	110.00
11	55.00	23	115.00
12	60.00	24	120.00
13	65.00		

To convert to inches, divide by 25.4

Part Numbering System

Series # of Poles

EM3665 nn

02 to 24

EM3675 Series
Euro-Mag Terminal Blocks
5.00 Centers

SPECIFICATIONS

Rating: 10A, 300V
 Center Spacing: .197" (5.00)
 Wire Size: #14-26 AWG
 Housing Material: Polyamide 66 (UL94V-0) Green Polyamide Type 6/6 94VO
 Contact Material: Tin Plated Brass
 Screw Size: M 2x6, Nickel Plated Steel
 Operating Temperature: 105°C (221°F) max., -40°C (-40°F) min.
 Torque Rating: 4.0 in-lb.
 Recommended PCB Hole Diameters: .055" (1.40)
 Construction: Mold to Length
 Agency Approvals: UL362622; CSA Pending; CE Certified

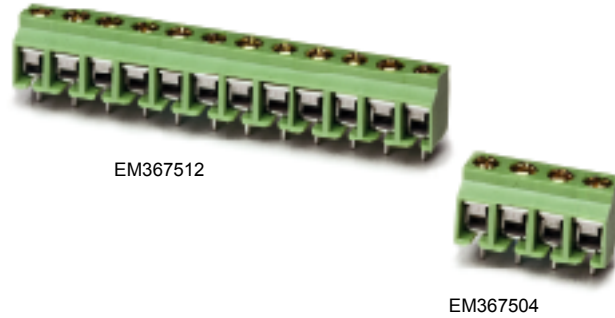
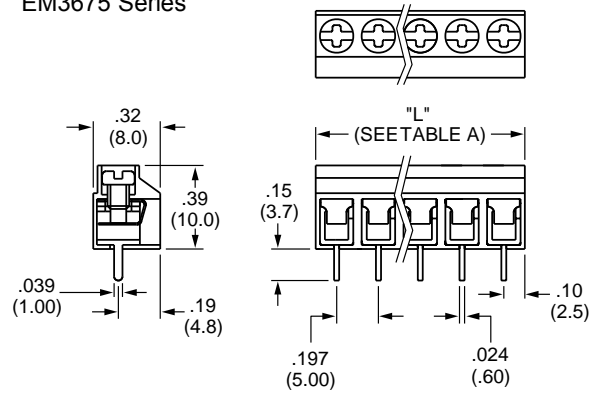


TABLE A

Poles	L (mm)	Poles	L (mm)
2	10.00	15	75.00
3	15.00	16	80.00
4	20.00	17	85.00
5	25.00	18	90.00
6	30.00	19	95.00
7	35.00	20	100.00
8	40.00	21	105.00
9	45.00	22	110.00
10	50.00	23	115.00
11	55.00	24	120.00
12	60.00	25	125.00
13	65.00	26	130.00
14	70.00	27	135.00

To convert to inches, divide by 25.4

EM3675 Series



Part Numbering System

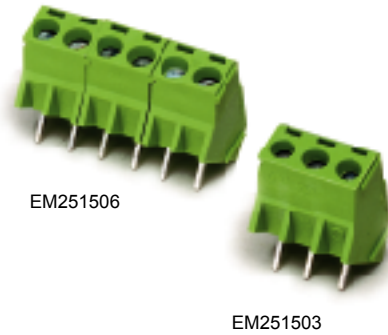
Series # of Poles
EM3675 **nn**
 02 to 27

MAGNUM®

EM2515 Series Euro-Mag Terminal Blocks 45° Angle, Stackable, 5.08 Centers

SPECIFICATIONS

Rating: 15A, 300V
 Center Spacing: .200" (5.08 mm)
 Consult factory for .400" (10.16mm)
 Wire Size: #12-22 AWG
 Housing Material: Green Polyamide Type 6/6, 94VO
 Contact Material: Brass Tin Plated
 Screw Size: M 3x5 Zinc Plated Steel
 Operating Temperature: 105°C (221°F) max., -40°C (-40°F) min.
 Torque Rating: 4.5 in-lb.
 Recommended PCB Hole Diameters: .055" (1.40)
 Construction: Modular design features dove-tails for interlocking to achieve longer lengths.
 Approvals: UL E62622; CSA LR701941; CE Certified

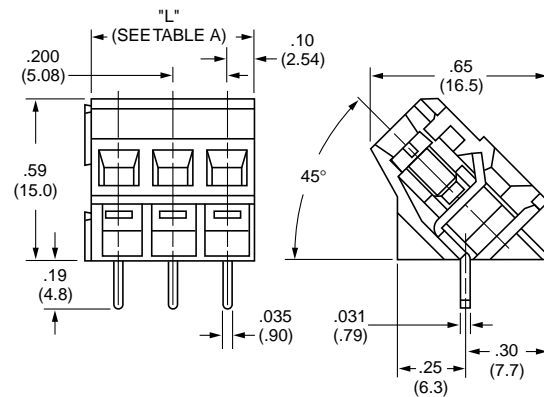


EM2515 Series

TABLE A

Position	L (mm)	Position	L (mm)
02*	10.16	14	71.12
03*	15.24	15	76.20
04	20.32	16	81.28
05	25.40	17	86.36
06	30.48	18	91.44
07	35.56	19	96.52
08	40.64	20	101.60
09	45.72	21	106.68
10	50.80	22	111.76
11	55.88	23	116.84
12	60.96	24	121.92
13	66.04		

* Mold To Length
 To convert to inches, divide by 25.4



Part Numbering System

Series # of Positions
EM2515 **nn**
 02 to 24

EM2795 Series
Euro-Mag Terminal Blocks
Screwless, Stackable, 5.08 Centers

SPECIFICATIONS

Rating: 10A, 300V
 Center Spacing: .200" (5.08)
 Wire Size: #14-24 AWG
 Housing Material: Green Polyamide Type 6/6, 94VO
 Contact Material: Tin Plated Brass
 Operating Temperature: 105°C (221°F) max., -40°C (-40°F) min.
 Recommended PCB Hole Diameters: .051" (1.30)
 Construction: Stackable to achieve longer lengths
 Agency Approvals: UL E62622; CSA 701941; CE Certified

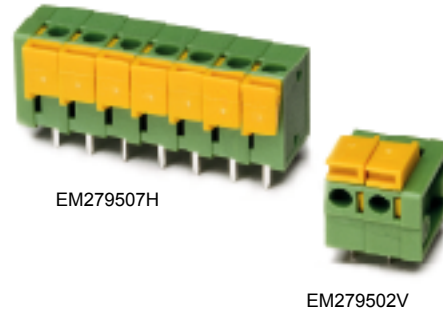


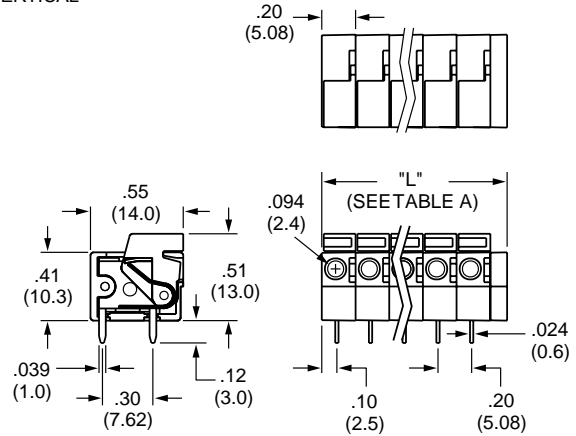
TABLE A

Poles	L (mm)	Poles	L (mm)
1	7.62	13	68.58
2	12.70	14	73.66
3	17.78	15	78.74
4	22.86	16	83.82
5	27.94	17	88.90
6	33.02	18	93.98
7	38.10	19	99.06
8	43.18	20	104.14
9	48.26	21	109.22
10	53.34	22	114.30
11	58.42	23	119.38
12	63.50	24	124.46

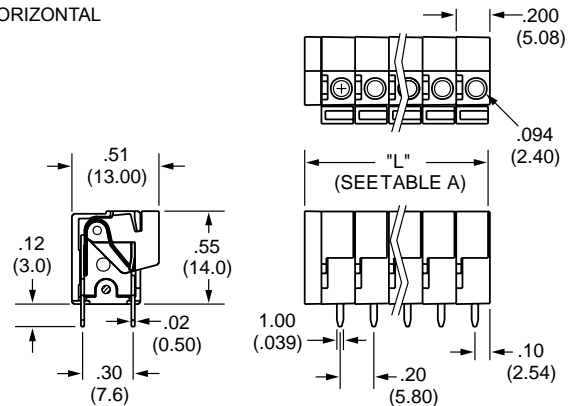
To convert to inches, divide by 25.4

EM2795 Series

VERTICAL



HORIZONTAL



Part Numbering System

Series	# of Positions	Orientation
EM2795	nn	n
	01 to 24	H - horizontal V - vertical

MAGNUM®

EM2555 Series Euro-Mag Terminal Blocks 45° Angle, Stackable, 5.00 Centers

SPECIFICATIONS

Rating: 15A, 300V
 Center Spacing: .197" (5.00 mm)
 Consult factory for .393" (10.00 mm)
 Wire Size: #12-22 AWG
 Housing Material: Green Polyamide Type 6/6, 94VO
 Contact Material: Brass Tin Plated
 Screw Size: M 3x5 Zinc Plated Steel
 Operating Temperature: 105°C (221°F) max., -40°C (-40°F) min.
 Torque Rating: 4.5 in-lb.
 Recommended PCB Hole Diameters: .055" (1.40)
 Construction: Modular design features dove-tails for interlocking to achieve longer lengths.
 Approvals: UL E62622; CE Certified

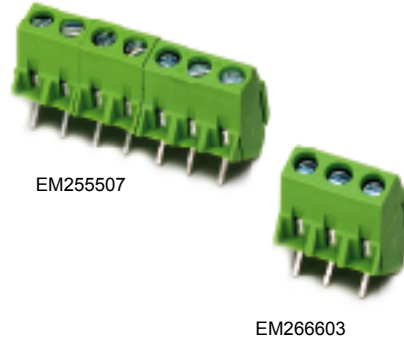
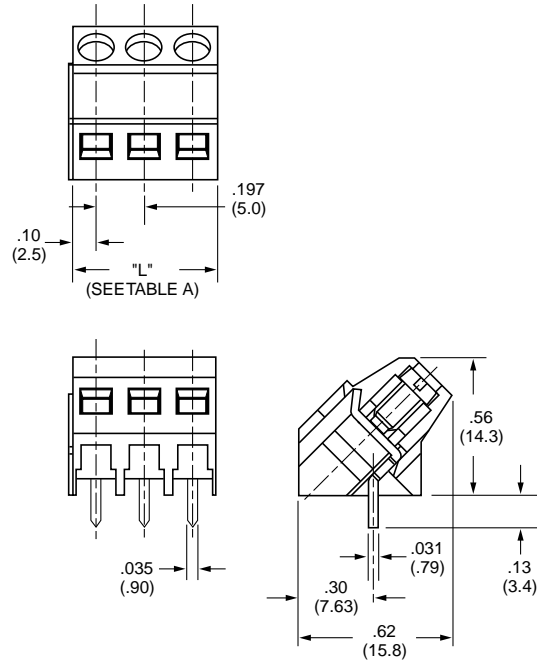


TABLE A

Position	L (mm)	Position	L (mm)
02*	10.00	14	70.00
03*	15.00	15	75.00
04	20.00	16	80.00
05	25.00	17	85.00
06	30.00	18	90.00
07	35.00	19	95.00
08	40.00	20	100.00
09	45.00	21	105.00
10	50.00	22	110.00
11	55.00	23	115.00
12	60.00	24	120.00
13	65.00		

* Mold to Length
 To convert to inches, divide by 25.4

EM2555 Series



Part Numbering System

Series # of Positions

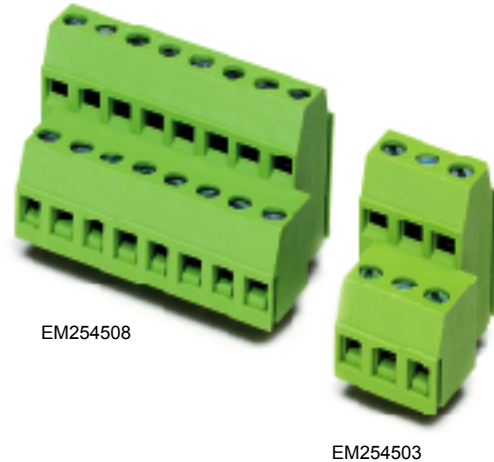
EM2555 nn

02 to 24

EM2545 Series
Euro-Mag Terminal Blocks
Two-Tier, Stackable, 5.08 Centers

SPECIFICATIONS

Rating: 15A, 300V
 Center Spacing: .200" (5.08 mm)
 Wire Size: #12-22 AWG
 Housing Material: Green Polyamide Type 6/6, 94VO
 Contact Material: Brass Tin Plated
 Screw Size: M 3x5 Zinc Plated Steel
 Operating Temperature: 105°C (221°F) max., -40°C (-40°F) min.
 Torque Rating: 4.5 in-lb.
 Recommended PCB Hole Diameters: .055" (1.40)
 Construction: Modular design features dove-tails for interlocking to achieve longer lengths.
 Approvals: UL E62622; CSA LR701941; CE Certified

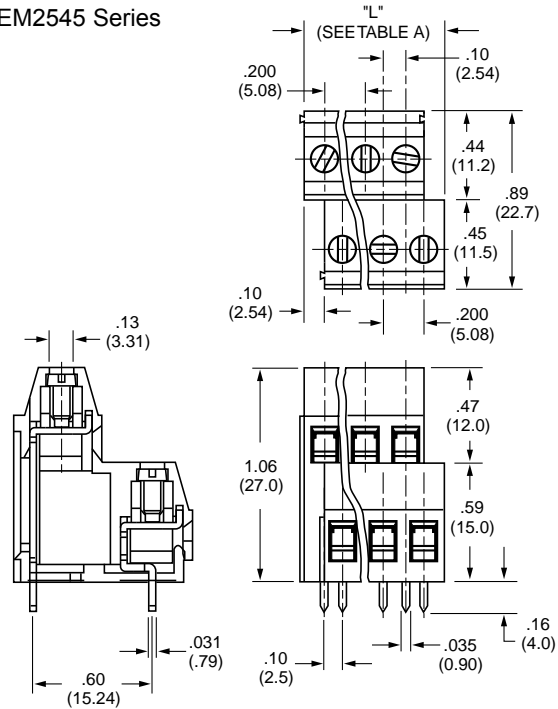


EM2545 Series

TABLE A

Position	L (mm)	Position	L (mm)
02*	10.16	14	71.12
03*	15.24	15	76.20
04	20.32	16	81.28
05	25.40	17	86.36
06	30.48	18	91.44
07	35.56	19	96.52
08*	40.64	20	101.60
09	45.72	21	106.68
10	50.80	22	111.76
11	55.88	23	116.84
12	60.96	24	121.92
13	66.04		

* Mold To Length
 To convert to inches, divide by 25.4



* Also available with 10.16 mm front-to-rear spacing, consult factory

Part Numbering System

Series # of Positions

EM2545 nn

02 to 24

MAGNUM®

EM2445 Series Euro-Mag Terminal Blocks Two Tier, Stackable, 5.00 Centers

SPECIFICATIONS

Rating: 12A, 300V
 Center Spacing: .197" (5.00)
 Wire Size: #14-24 AWG
 Housing Material: Green Polyamide Type 6/6, 94VO
 Contact Material: Tin Plated Brass
 Screw Size: M 2x6 Nickel Plated Steel
 Operating Temperature: 105°C (221°F) max., -40°C (-40°F) min.
 Torque Rating: 5.0 in-lb.
 Recommended PCB Hole Diameters: .055" (1.40)
 Construction: Modular design features dove tails for interlocking to achieve longer lengths.
 Agency Approvals: UL E62622; CSA Pending; CE Certified

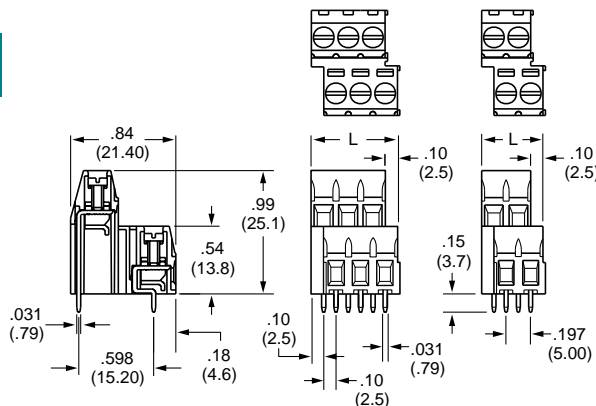


TABLE A

Poles	L (mm)	Poles	L (mm)
2	12.50	13	67.50
3	17.50	14	72.50
4	22.50	15	77.50
5	27.50	16	82.50
6	32.50	17	87.50
7	37.50	18	92.50
8	42.50	19	97.50
9	47.50	20	102.50
10	52.50	21	107.50
11	57.50	22	112.50
12	62.50	23	117.50
		24	122.50

To convert to inches, divide by 25.4

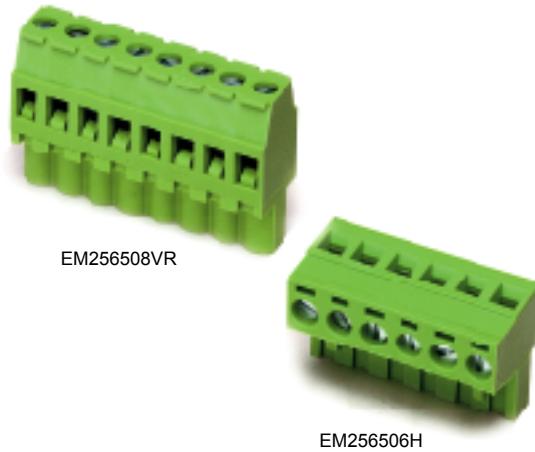
EM2445 Series



Part Numbering System

Series # of Poles
EM2445 **nn**
 02 to 24

EM2565 Series
Euro-Mag Terminal Blocks
Depluggable Block (Mates with EM2575
Header), 5.08 Centers



SPECIFICATIONS

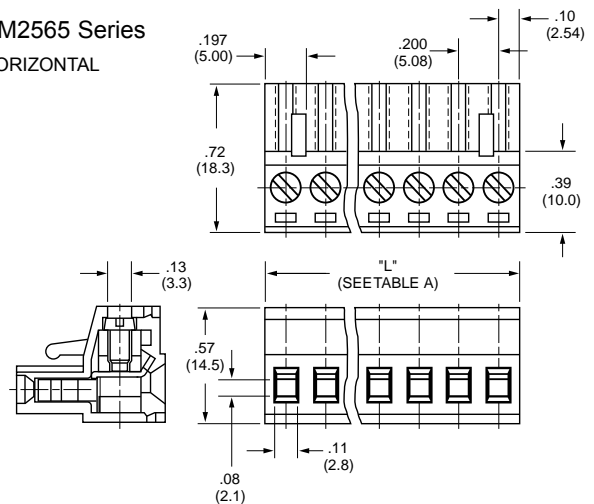
Rating: 15A, 300V
 Center Spacing: .200" (5.08 mm)
 Consult factory for .400" (10.16 mm)
 Wire Size: #12-22 AWG
 Housing Material: Green Polyamide Type 6/6, 94VO
 Contact Material: Brass Tin Plated
 Screw Size: M 3x5 Zinc Plated Steel
 Operating Temperature: 105°C (221°F) max., -40°C (-40°F) min.
 Torque Rating: 4.5 in-lb.
 Construction: Mold to Length
 Approvals: UL E62622; CSA LR701941; CE Certified

TABLE A

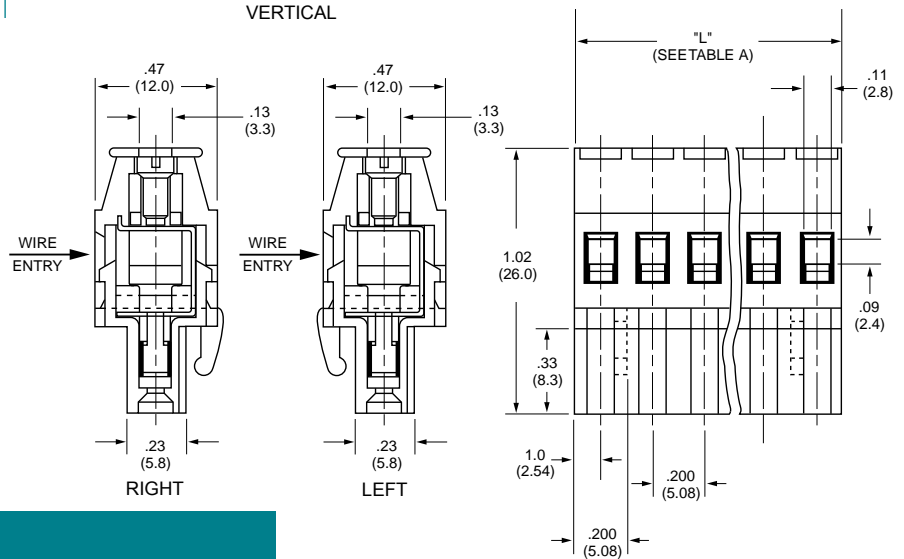
Position	L (mm)	Position	L (mm)
02	10.16	14	71.12
03	15.24	15	76.20
04	20.32	16	81.28
05	25.40	17	86.36
06	30.48	18	91.44
07	35.56	19	96.52
08	40.64	20	101.60
09	45.72	21	106.68
10	50.80	22	111.76
11	55.88	23	116.84
12	60.96	24	121.92
13	66.04		

To convert to inches, divide by 25.4

EM2565 Series
HORIZONTAL



VERTICAL



Part Numbering System

Series	# of Positions	Orientation	Wire Entry (Vertical Only)
EM2565	nn	n	n
	02 to 24	H - horizontal V - vertical	L - left R - right

MAGNUM®

EM2525 Series Euro-Mag Terminal Blocks Depluggable Block (Mates with EM2535 Header), 5.00 Centers

SPECIFICATIONS

Rating: 15A, 300V
 Center Spacing: .197" (5.00 mm)
 Consult factory for .393" (10.0 mm)
 Wire Size: #12-22 AWG
 Housing Material: Green Polyamide Type 6/6, 94VO
 Contact Material: Brass Tin Plated
 Screw Size: M 3x5 Zinc Plated Steel
 Operating Temperature: 105°C (221°F) max., -40°C (-40°F) min.
 Torque Rating: 4.5 in-lb.
 Construction: Mold to Length

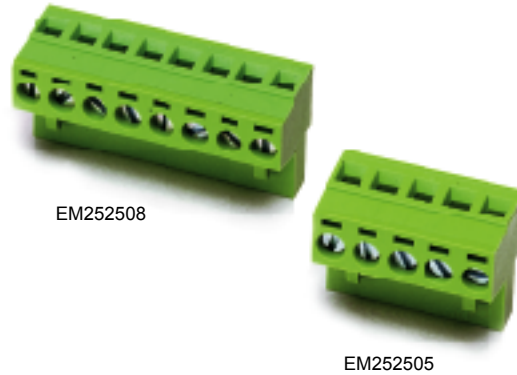
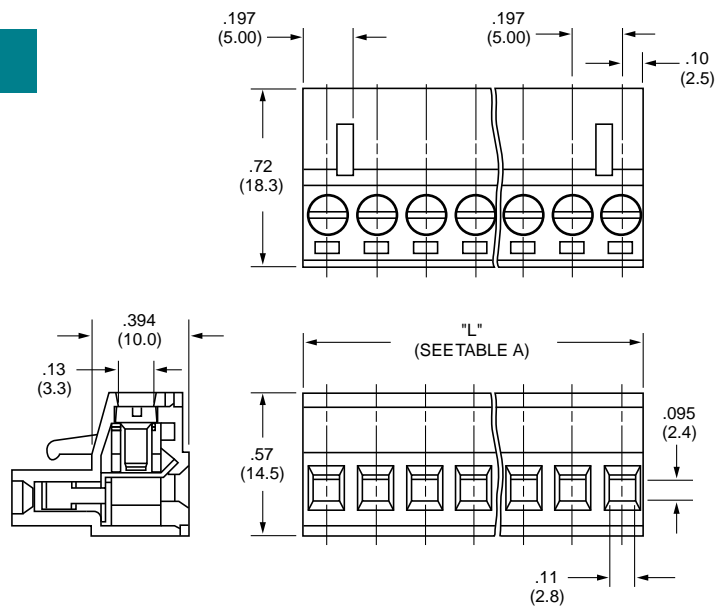


TABLE A

Position	L (mm)	Position	L (mm)
02	10.00	14	70.00
03	15.00	15	75.00
04	20.00	16	80.00
05	25.00	17	85.00
06	30.00	18	90.00
07	35.00	19	95.00
08	40.00	20	100.00
09	45.00	21	105.00
10	50.00	22	110.00
11	55.00	23	115.00
12	60.00	24	120.00
13	65.00		

To convert to inches, divide by 25.4

EM2525 Series



Part Numbering System

Series # of Positions

EM2525 nn

02 to 24

**EM2465 Series
Euro-Mag Terminal Blocks**

Depluggable Block
(Mates with EM2475 Series) 5.00 Centers

SPECIFICATIONS

- Rating:** 12A, 300V
- Center Spacing:** .197" (5.00)
- Wire Size:** #14-24 AWG
- Housing Material:** Green Polyamide Type 6/6 94VO
- Contact Material:** Tin Plated Phos Bronze
- Screw Size:** M 2x6, Nickel Plated Steel
- Operating Temperature:** 105°C (221°F) max., -40°C (-40°F) min.
- Torque Rating:** 5.0 in-lb.
- Construction:** Mold to Length
- Agency Approvals:** UL E62622; CSA Pending; CE Certified

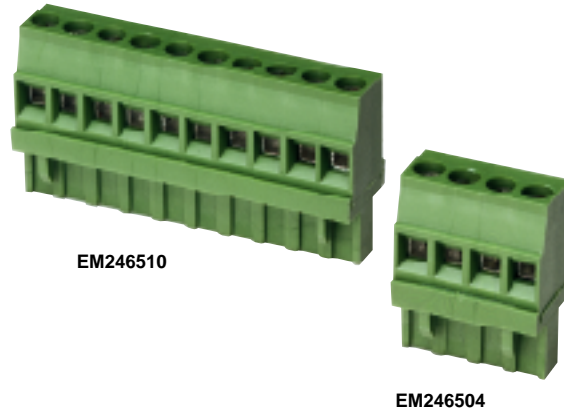
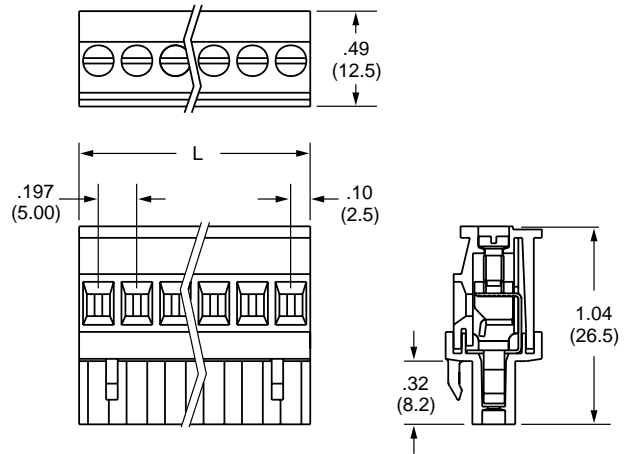


TABLE A

Poles	L (mm)	Poles	L (mm)
2	10.00	8	40.00
3	15.00	9	45.00
4	20.00	10	50.00
5	25.00	11	55.00
6	30.00	12	60.00
7	35.00		

To convert to inches, divide by 25.4

EM2465 Series



Part Numbering System

Series # of Positions

EM2465 **nn**

 02 to 12

MAGNUM®

EM3563 Series Euro-Mag Terminal Blocks

Depluggable Block (Mates with EM3573 Header), 3.81 Centers

SPECIFICATIONS

Rating: 10A, 125V

Center Spacing: .150" (3.81 mm)

Consult factory for .300" (7.62 mm)

Wire Size: #18 AWG

Housing Material: Green Polyamide Type 6/6, 94VO

Contact Material: Brass Tin Plated

Screw Size: M 2x3 Zinc Plated Steel

Operating Temperature: 105°C (221°F) max., -40°C (-40°F) min.

Torque Rating: 3.5 in.-lbs.

Construction: Mold to Length

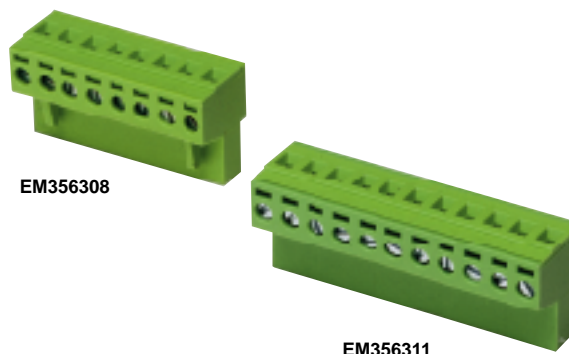
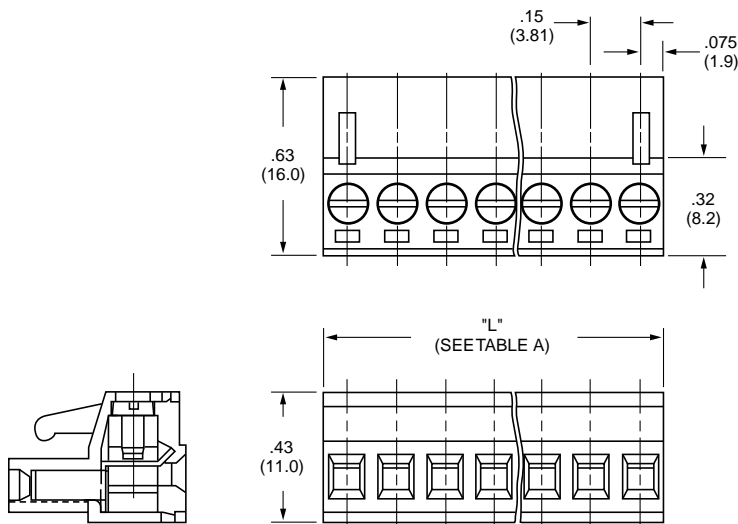


TABLE A

Position	L (mm)
	7.90
02	11.71
03	15.52
04	19.33
05	23.14
06	26.95
07	30.76
08	34.57
09	38.38
10	42.19
11	46.00

To convert to inches, divide by 25.4

EM3563 Series



Part Numbering System

Series

of Positions

EM3563 nn

02 to 12

EM5015 Series Euro-Mag Terminal Blocks

Depluggable Block
(Mates with EM5025 Header) 5.00 Centers

SPECIFICATIONS

- Rating:** 10A, 300V
- Center Spacing:** .197" (5.00)
- Wire Size:** #14-24 AWG
- Housing Material:** Blue Polyester 94VO
- Contact Material:** Tin Plated Brass
- Screw Size:** M 2x6 Chromatized Steel
- Operating Temperature:** 105°C (221°F) max., -40°C (-40°F) min.
- Torque Rating:** 3.0 in-lb.
- Construction:** Modular design features dove-tails for interlocking to achieve longer lengths.
- Agency Approvals:** UL E62622; CSA Pending; CE Certified

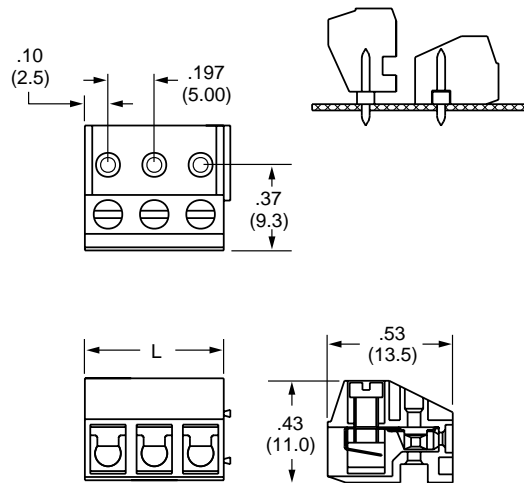


TABLE A

Poles	L (mm)	Poles	L (mm)
2	10.00	14	70.00
3	15.00	15	75.00
4	20.00	16	80.00
5	25.00	17	85.00
6	30.00	18	90.00
7	35.00	19	95.00
8	40.00	20	100.00
9	45.00	21	105.00
10	50.00	22	110.00
11	55.00	23	115.00
12	60.00	24	120.00
13	65.00		

To convert to inches, divide by 25.4

EM5015 Series



Part Numbering System

Series # of Poles

EM5015 **nn**

02 to 24

MAGNUM®

EM5025 Series Euro-Mag Terminal Blocks

Header (Mates with EM5015 Block),
5.00 Centers

SPECIFICATIONS

Rating: 10A, 300V

Center Spacing: .197" (5.00)

Housing Material: Black Polyamide Type 6/6, 94VO

Contact Material: Tin Plated Brass

Operating Temperature: 105°C (221°F) max., -40°C (-40°F) min.

Recommended PCB Hole Diameters: .059" (1.50)

Construction: Mold to Length

Agency Approvals: UL E62622; CSA Pending; CE Certified

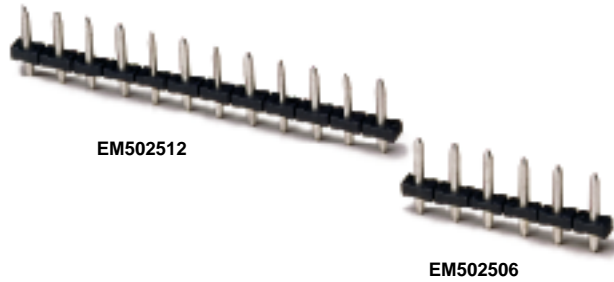
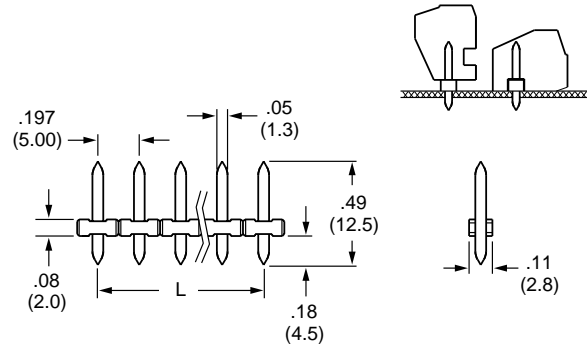


TABLE A

Poles	L (mm)	Poles	L (mm)
2	10.00	14	70.00
3	15.00	15	75.00
4	20.00	16	80.00
5	25.00	17	85.00
6	30.00	18	90.00
7	35.00	19	95.00
8	40.00	20	100.00
9	45.00	21	105.00
10	50.00	22	110.00
11	55.00	23	115.00
12	60.00	24	120.00
13	65.00		

To convert to inches, divide by 25.4

EM5025 Series



Part Numbering System

Series # of Poles
EM5025 **nn**
 02 to 24

EM2575 Series
Euro-Mag Terminal Blocks
 Header (Mates with EM2565
 Depluggable Block), 5.08 Centers

SPECIFICATIONS

Rating: 15A, 300V
Center Spacing: .200" (5.08 mm)
 Consult factory for .400" (10.16 mm)
Housing Material: Green Polyamide Type 6/6, 94VO
Contact Material: Brass Tin Plated
Operating Temperature: 105°C (221°F) max., -40°C (-40°F) min.
Recommended PCB Hole Diameters: .055" (1.40)
Construction: Mold to Length
Approvals: UL E62622; CSA LR701941; CE Certified

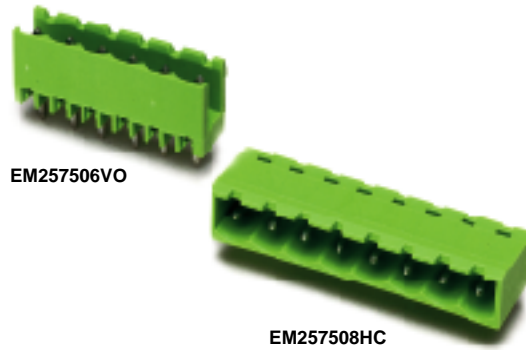
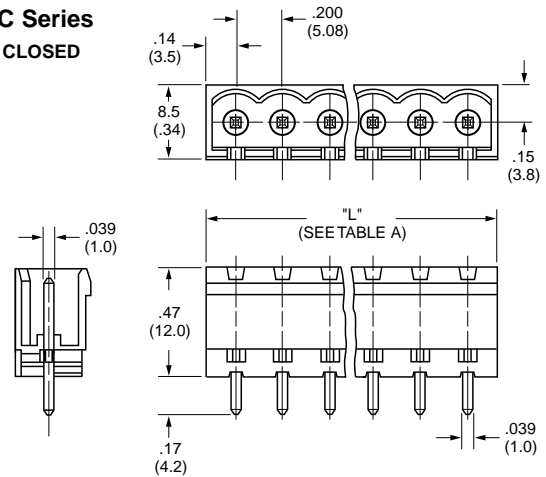


TABLE A

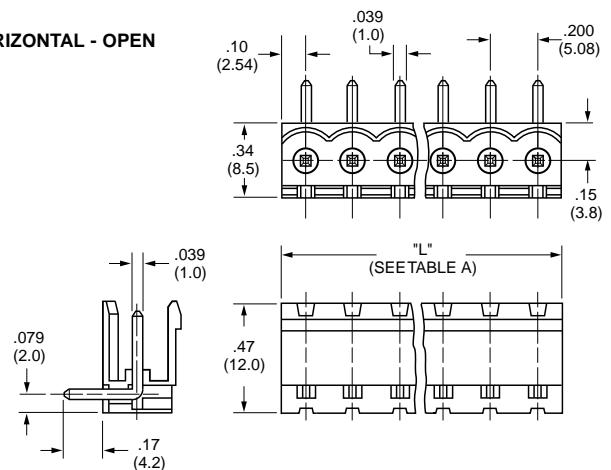
Position	Open L (mm)	Closed L (mm)	Position	Open L (mm)	Closed L (mm)
02	10.16	12.08	14	71.12	73.04
03	15.24	17.16	15	76.20	78.12
04	20.32	22.24	16	81.28	83.20
05	25.40	27.32	17	86.36	88.28
06	30.48	32.40	18	91.44	93.36
07	35.56	37.48	19	96.52	98.44
08	40.64	42.56	20	101.60	103.52
09	45.72	47.64	21	106.68	108.60
10	50.80	52.72	22	111.76	113.68
11	55.88	57.80	23	116.84	118.76
12	60.96	62.88		121.92	123.84
	66.04	67.96			

To convert to inches, divide by 25.4

EM2575VC Series
 VERTICAL - CLOSED



HORIZONTAL - OPEN



Part Numbering System

Series	# of Positions	Orientations	Side Base
EM2575	nn	n	n
	02 to 24	H - horizontal V - vertical	O - open C - closed

MAGNUM®

EM2535 Series Euro-Mag Terminal Blocks

Header (Mates with EM2525
Depluggable Block), 5.00 Centers

SPECIFICATIONS

Rating: 15A, 300V

Center Spacing: .197" (5.00 mm)

Consult factory for .393" (10.00 mm)

Housing Material: Green Polyamide Type 6/6, 94VO

Contact Material: Brass Tin Plated

Operating Temperature: 105°C (221°F) max., -40°C (-40°F) min.

Recommended PCB Hole Diameters: .055" (1.40)

Construction: Mold to Length

Approvals: UL E62622; CSA LR701941; CE Certified



EM253505VC

EM2535088HO

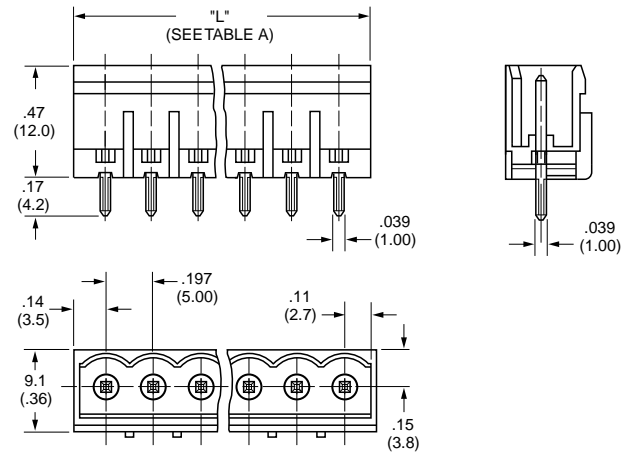
TABLE A

Position	Open L (mm)	Closed L (mm)	Position	Open L (mm)	Closed L (mm)
02	10.00	12.00	14	70.00	72.00
03	15.00	17.00	15	75.00	77.00
04	20.00	22.00	16	80.00	82.00
05	25.00	27.00	17	85.00	87.00
06	30.00	32.00	18	90.00	92.00
07	35.00	37.00	19	95.00	97.00
08	40.00	42.00	20	100.00	102.00
09	45.00	47.00	21	105.00	107.00
10	50.00	52.00	22	110.00	112.00
11	55.00	57.00	23	115.00	117.00
12	60.00	62.00		120.00	122.00

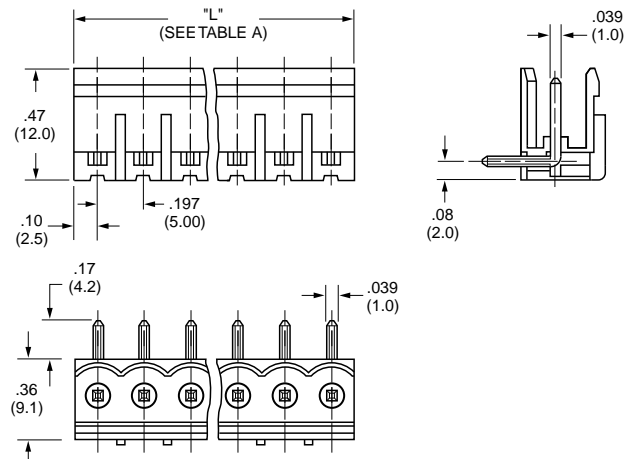
To convert to inches, divide by 25.4

EM2535 Series

VERTICAL - CLOSED



HORIZONTAL - OPEN



Part Numbering System

Series	# of Positions	Orientations	Side Base
EM2535	nn	n	n
	02 to 24	H - horizontal V - vertical	O - open C - closed

EM2475 Series
Euro-Mag Terminal Blocks
 Header (Mates with EM2465 Series)
 5.00 Centers

SPECIFICATIONS

Rating: 12A, 300V
Center Spacing: .197" (5.00)
Housing Material: Green Polyamide Type 6/6, 94VO
Contact Material: Tin Plated Brass
Operating Temperature: 105°C (221°F) max., -40°C (-40°F) min.
Recommended PCB Hole Diameters: .059" (1.50)
Construction: Mold to Length
Agency Approvals: UL E62622; CSA Pending; CE Certified

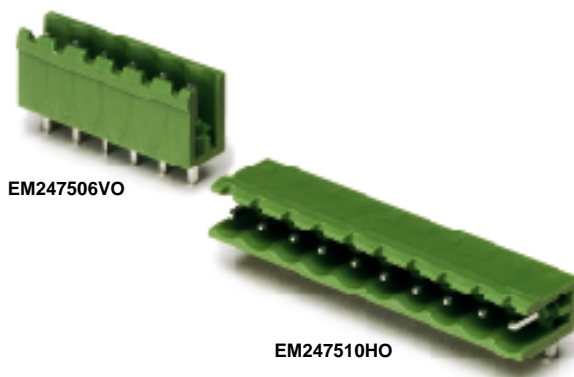
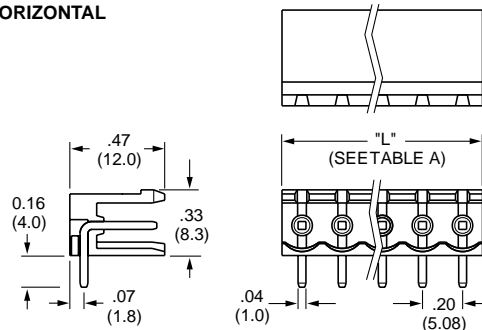


TABLE A

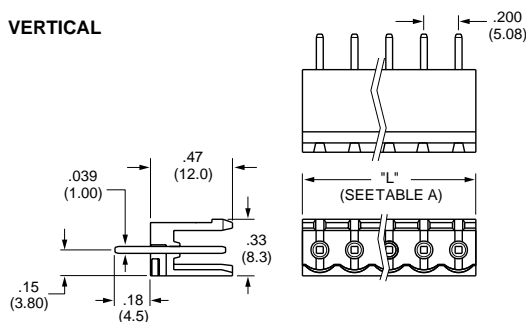
Poles	L (mm)	Poles	L (mm)
2	10.16	8	40.64
3	15.24	9	45.72
4	20.32	10	50.80
5	25.40	11	55.88
6	30.48	12	60.96
7	35.56		

To convert to inches, divide by 25.4

EM2475 Series
HORIZONTAL



VERTICAL



Part Numbering System

Series	# of Positions	Orientation	Side Base
EM2475	nn	n	a
	02 to 12	H - horizontal V - vertical	O - Open

MAGNUM®

EM3573 Series Euro-Mag Terminal Blocks

Header (Mates with EM3563
Depluggable Block), 3.81 Centers

SPECIFICATIONS

Rating: 10A, 125V

Center Spacing: .150" (3.81 mm)

Consult factory for .300" (7.62 mm)

Housing Material: Green Polyamide Type 6/6, 94VO

Contact Material: Brass Tin Plated

Operating Temperature: 105°C (221°F) max., -40°C (-40°F) min.

Recommended PCB Hole Diameters: .055" (1.40)

Construction: Mold to Length

Approvals: UL & CSA Approvals Pending; CE Certified

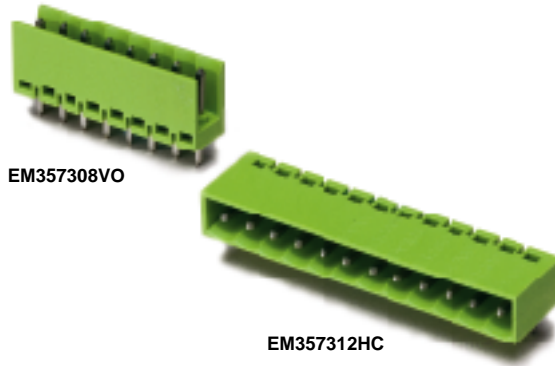
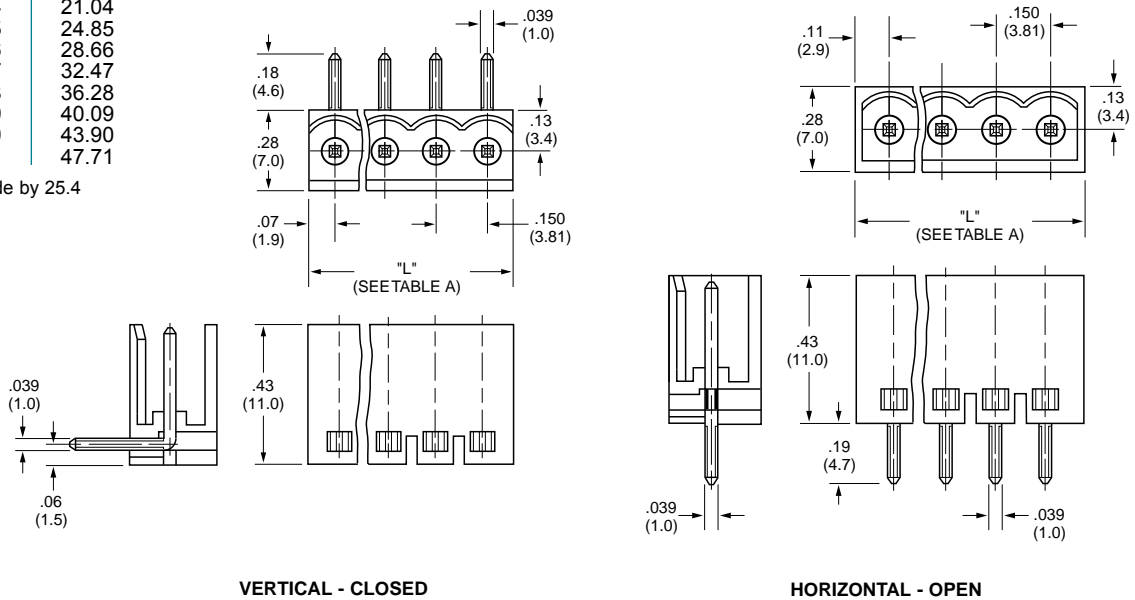


TABLE A

Position	Open L (mm)	Closed L (mm)
02	7.61	9.61
03	11.42	13.42
04	15.23	17.23
05	19.04	21.04
06	22.85	24.85
07	26.66	28.66
08	30.47	32.47
09	34.28	36.28
10	38.09	40.09
11	41.90	43.90
11	45.71	47.71

To convert to inches, divide by 25.4

EM3573 Series



Part Numbering System

Series	# of Positions	Orientations	Side Base
EM3573	nn	n	n
	02 to 12	H - horizontal V - vertical	O - open C - closed

MAGNUM[®]



EM3583 Series Euro-Mag Terminal Blocks

IDC Depluggable Block* (Mates with EM3593 Series Header), 3.81 Centers

SPECIFICATIONS

Rating: 6A, 160V

Center Spacing: .150" (3.81mm)

Housing Material: Green Polyamide Type 6/6, 94VO

Contact Material: Brass Tin Plated

Operating Temperature: 105°C (221°F) max., -40°C (-40°F) min.

Wire Range: 22-20 AWG

Construction: Mold to length

Approvals: UL/CSA E62622; CE Certified



EM358308

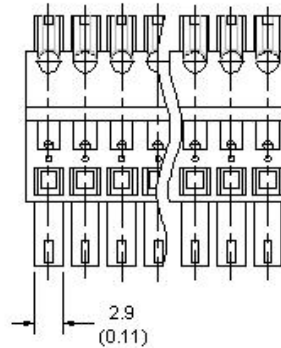


EM358307
SHOWING WIRE INSERTED
(*NO WIRE PREPARATION NEEDED)

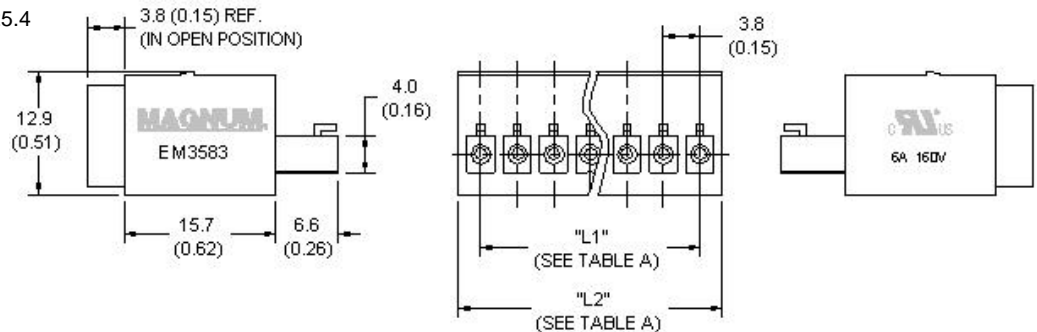
TABLE A

Position	L1 (mm)	L2 (mm)
02	3.81	8.40
03	7.62	12.21
04	11.43	16.02
05	15.24	19.83
06	19.05	23.64
07	22.86	27.45
08	26.67	31.26
09	30.48	35.07
10	34.29	38.88
11	38.10	42.69
12	41.91	46.50

EM3583 Series



To convert to inches, divide by 25.4



Part Numbering System

Series

E M 3 5 8 3

of Positions

□ □

02 to 12

COOPER Bussmann

Toll-Free Voice: 1-888-YES-MAGNUM USA

Toll-Free Fax: 1-800-832-9873 USA

E-mail: info@magnumtb.com www.magnumtb.com

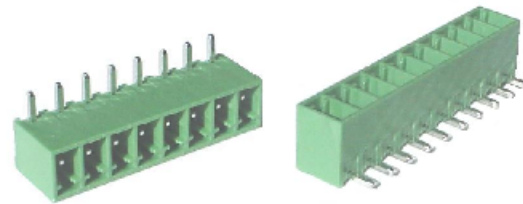
MAGNUM[®]



EM3593 Series Euro-Mag Terminal Blocks Header (Mates with EM3583 IDC Depluggable Block), 3.81 Centers

SPECIFICATIONS

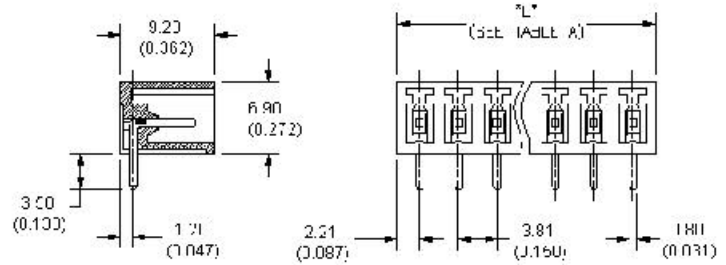
Rating: 6A, 160V
Center Spacing: .150" (3.81mm)
Housing Material: Green Polyamide Type 6/6, 94VO
Contact Material: Brass Tin Plated
Operating Temperature: 105°C (221°F) max., -40°C (-40°F) min.
Recommended PCB Hole Diameters: .051" (1.30mm)
Construction: Mold to length
Agency Approvals: UL/CSA E62622; CE Certified



EM359308HC

EM359310HC

EM3593 Series HORIZONTAL - CLOSED



VERTICAL - CLOSED

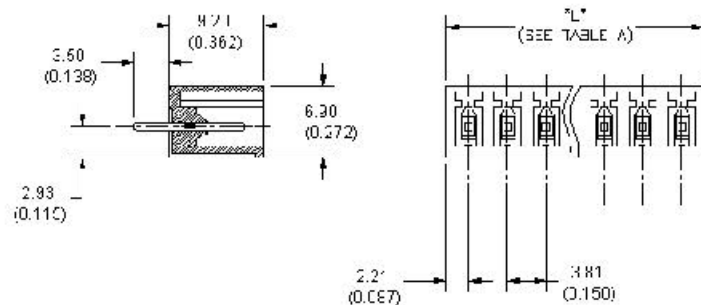
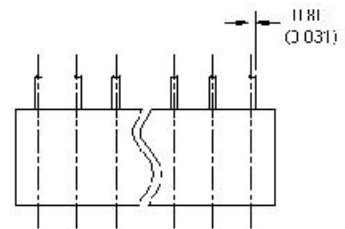
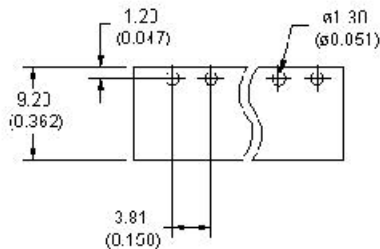


TABLE A

Position	L (mm)
02	8.23
03	12.04
04	15.85
05	19.66
06	23.47
07	27.28
08	31.09
09	34.90
10	38.71
11	42.52
12	46.33

To convert to inches, divide by 25.4

RECOMMENDED PCB LAYOUT



Part Numbering System

Series

EM3593

of Positions

□□

02 to 12

Orientation

□

H – horizontal
V – vertical

Side Base

C

C- closed

COOPER Bussmann

Toll-Free Voice: 1-888-YES-MAGNUM USA

Toll-Free Fax: 1-800-832-9873 USA

E-mail: info@magnumtb.com www.magnumtb.com

EM7000 Series
Two-Tier Terminal Blocks
 7.62 Centers

SPECIFICATIONS

- Rating:** 15A, 300V
- Center Spacing:** .300" (7.62)
- Wire Size:** #16-22 AWG
- Housing Material:** Black, UL Rated 94VO Thermoplastic
- Contact Material:** Tin Plated Brass
- Screw Material:** M 3x0 Nickel Plated Steel
- Operating Temperature:** 105°C (221°F) Max., -40°C (-40°F) min.
- Torque Rating:** 9 in.-lb.
- Recommended PCB Hole Diameters:** .051" (1.30)
- Construction:** Mold to Length
- Agency Approvals:** UL E62622; CSA Pending; CE Certified



EM713710



EM711706

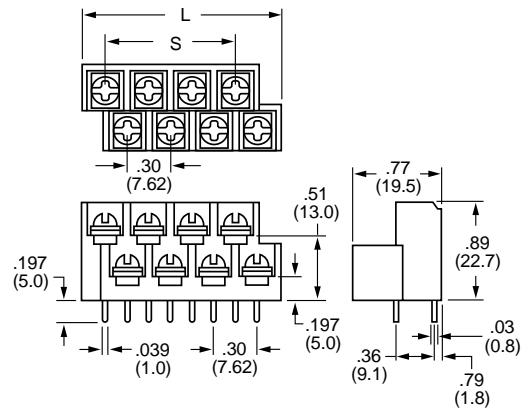


EM712708

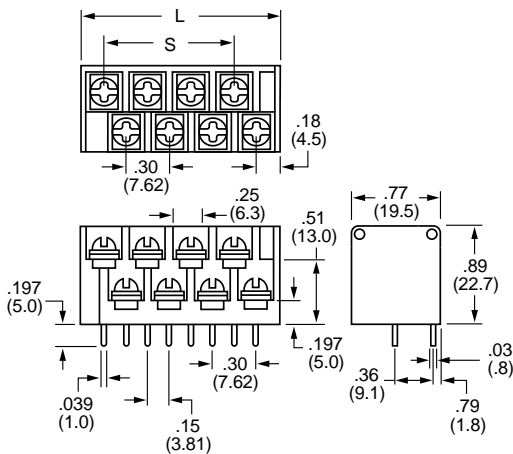
Poles	L (mm)	S (mm)
2	21.2	7.62
3	28.8	15.24
4	36.4	22.86
5	44.0	30.48
6	51.6	38.10
7	59.3	45.72
8	66.9	53.34
9	74.5	60.96
10	82.1	68.58
11	89.7	76.20
12	97.4	83.82
13	105.0	91.44
14	112.6	99.06
15	120.2	106.68
16	127.8	114.30

To convert to inches, divide by 25.4

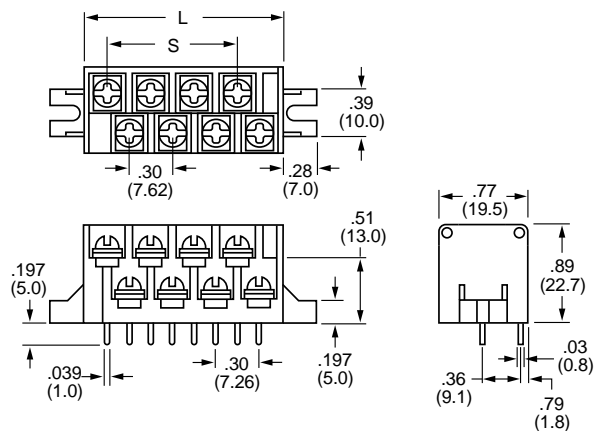
EM7117 Series



EM7127 Series



EM7137 Series



Part Numbering System

Series	Poles	Options
EM - nnnn - nn	2 - 16	n
7117		WC - with cover
7127		(EM7127 & EM7137
7137		Series only)

MAGNUM®

Series 15133

Depluggable PCB Mount
Terminal Blocks

SPECIFICATIONS

Rating: 20A, 300V

Center Spacing: .375" or 3/8" (9.52 mm)

Wire Size: #12-22 AWG CU

PC Board: For soldering to PCB (.00015" tin over copper flash)

Material: Black, UL Rated 94VO Thermoplastic

Screws: #6-32 Zinc plated steel SEMS

Terminals: 15133-XX-10-X – Tin or gold plated brass
15133-XX-20-X – Nickel or gold plated copper alloy plug terminal, tin or gold plated female terminal

Operating Temperature: 221°F (105°C)

Approvals: UL E62622; CSA LR15364; CE Certified

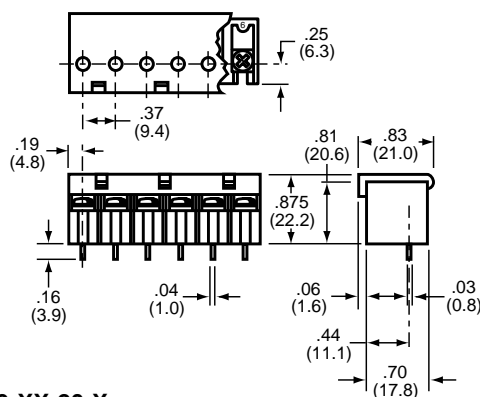
The 15133 is a series of input/output circuit board connectors. Available in a 1-piece or 2-piece design, they stack side-by-side with self-aligning housings to prevent incorrect mating. Both designs feature an integral, living hinge cover that saves the labor of attaching a separate cover. The cover provides a dead front for prevention of electrical accidents, yet it also has test probe holes for easy circuit testing.

The 1-piece design is for applications not requiring unplugging the connector. It solders to the printed circuit board. Molded stand-offs ensure good solderability.

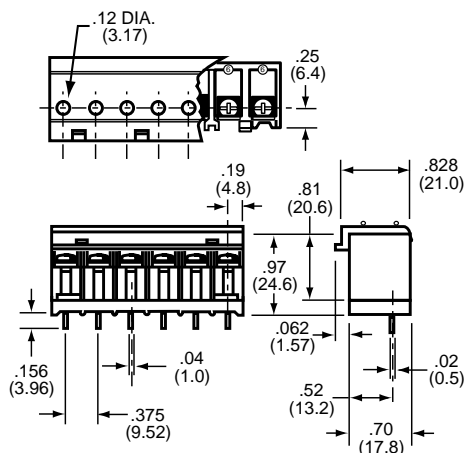
The 2-piece design enables quick connect and disconnect of several circuits at once. It allows fast board changing in the field without shutting down the entire system. The bottom section of the connector solders to the board. Male contacts are shrouded while the female has stand-offs; both are molded into the block. The top section of the connector plugs into the bottom section.



15133-XX-10-X



15133-XX-20-X



Part Numbering System

Inches (Millimeters)

Series

15133

Poles

nn
02 to 10

Style

n

1 - One piece
2 - Two piece

Mounting

n

0 - No mtg. holes

Terminal Plating

n

T - Tin
G - Gold (.00015 min.)
over nickel
(.00003) overall

Series 13926

Edge Connectors – 2 Sided Boards

SPECIFICATIONS

Rating: 8A max., 250V

Center Spacing: .200" (5.08 mm)

Wire Size: #12-22 AWG CU; entry to PC board at 90° angle

PC Board: Edge contact accepts standard 1/16" (.0625) PCB.

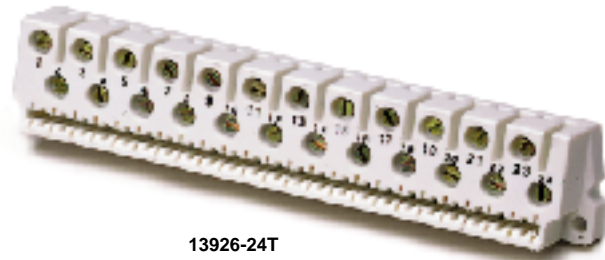
Contacts: Tuning fork design .021" thick phosphorus bronze with mating surface gold plated (.000030) over nickel (.000100) tin plated (.000200) over copper (.000050). Contact engagement and separation forces per MIL-C-21097.

Material: White, UL Rated 94VO Glass Filled Polyester (130°C).

Pole designations printed in black epoxy ink.

Operating Temperature: -20°C to 100°C

Approvals: UL E62622 for commercial appliance applications up to 250 volts and general industrial applications up to 150 volts. CE Certified



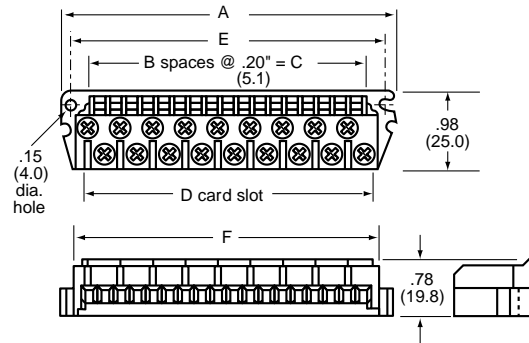
13926-24T

13926 Series

Inches (mm)

Poles	A	B	C	D	E	F
12	2.91	11	2.20	2.31	2.66	2.61
18	4.11	17	3.40	3.50	3.86	3.81
24	5.31	23	4.60	4.70	5.06	5.01
25	5.51	24	4.80	4.90	5.26	5.21
30	6.51	29	5.80	5.90	6.26	6.21
36	7.71	35	7.00	7.10	7.46	7.41

* Dimensions in inches. To convert to millimeters, multiply by 25.4.
Optional polarizing key (Part No. C5952); consult factory.



Part Numbering System Inches (Millimeters)

Series		Poles		Terminal Plating
13926	-	nn		n
		12		T - Tin over copper
		18		
		24		
		25		
		30		
		36		

MAGNUM®

Series 1384X

Edge Connectors –
1 Sided Boards/Vertical Mount

SPECIFICATIONS

Rating: 10A, 250V

Center Spacing: .375" or 3/8" (9.52 mm)

Wire Size: #14-22 AWG CU; entry to PC board at 90° angle.

PC Board: Edge contact accepts standard 1/16" (.0625) PCB.

Contacts: Cantilever design .020" thick phosphorus bronze with mating surface gold plated (.000030) over nickel (.000100) tin plated (.000200) over copper (.000050).

Terminals: Pressure plate terminals.

Material: Black, UL Rated 94VO Thermoplastic (125°C)

Operating Temperature: -55°C to 105°C (212°F)

Approvals: UL E62622; CSA LR15364; CE Certified

13848-08G02B

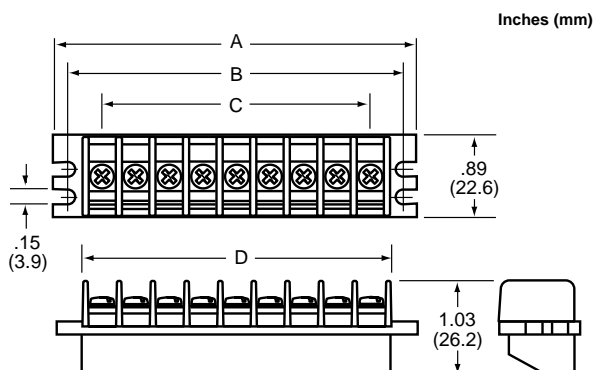


13847-08TO2B



Poles	A	B	C	D
04	2.25	1.87	1.12	1.53
05	2.62	2.25	1.50	1.90
06	3.00	2.62	1.87	2.28
07	3.37	3.00	2.25	2.65
08	3.75	3.37	2.62	3.03
09	4.12	3.75	3.00	3.40
10	4.50	4.12	3.37	3.78
11	4.87	4.50	3.75	4.15
12	5.25	4.87	4.12	4.53
13	5.62	5.25	4.50	4.90
14	6.00	5.62	4.87	5.28
15	6.37	6.00	5.25	5.65
16	6.75	6.37	5.62	6.03

1384X Series



* Dimensions in inches. To convert to millimeters, multiply by 25.4.
Optional polarizing key (Part No. C5971) consult with factory.

Part Numbering System

Series	Block Style	Poles	Terminal Plating	Screw Style	Block Color	Special Options
1384X	n - 7 - Flat mtg. ears w/ 2 slots 8 - Mtg. ears w/2 standoffs with hole for mounting strip	nn 04 to 16	n T - Tin over copper G - Gold over nickel	a2 02 - #6-32 pan head. w/ SEMS wire clamp	B B - Black	n M - Marking strip

Series 15104

Edge Connectors – 1 Sided Boards / Right Angle Mount

SPECIFICATIONS

Rating: 10A, 300V

Center Spacing: .375" or 3/8" (9.52 mm)

Wire Size: #12-22 AWG CU

Terminals: Pressure plate terminals with screws set at 45° or 90° angle

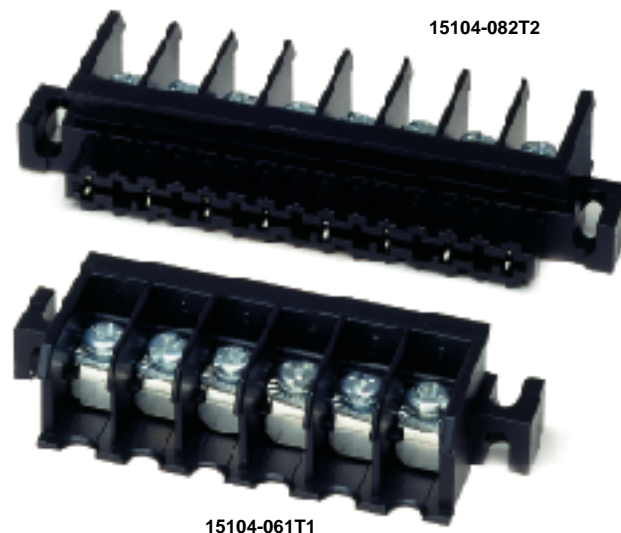
PC Board: Edge contact accepts standard 1/16" (.0625) PCB

Contacts: Tuning fork design of .021" thick phosphorus bronze with .0001" bright tin plating or .000015" gold plate over .00003" nickel

Material: Black, UL Rated 94VO Thermoplastic

Operating Temperature: 95°C max.

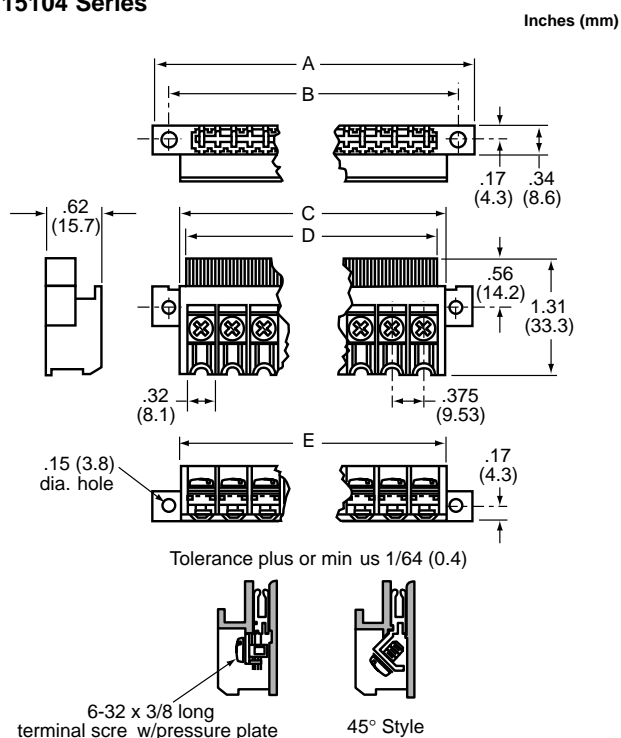
Approvals: UL E62622; CSA LR15364; CE Certified



Poles	A	B	C	D	E	Board Width
06	3.00	2.62	2.00	2.16	2.36	1.99
08	3.75	3.37	2.75	2.91	3.11	2.74
10	4.50	4.12	3.50	3.66	3.86	3.49
12	5.25	4.87	4.25	4.41	4.61	4.24
14	6.00	5.62	5.00	5.16	5.36	4.99
16	6.75	6.37	5.75	5.91	6.11	5.74
18	7.50	7.12	6.50	6.66	6.86	6.49
20	8.25	7.87	7.25	7.41	7.61	7.23
22	9.00	8.62	8.00	8.16	8.36	7.98
24	9.75	9.37	8.75	8.91	9.11	8.73
26	10.50	10.12	9.50	9.66	9.86	9.48
28	11.25	10.87	10.25	10.41	10.61	10.23

* Dimensions in inches. To convert to millimeters, multiply by 25.4.
Integral standoffs for mounting marker strips - consult factory.

15104 Series



Part Numbering System

Series	Poles	Terminal	Plating	Screw
15104	nn	n	n	n
	06 to 28 (Increments of 2)	1 - 90° angle 2 - 45° angle	T - Tin G - Gold	1 - #6-32 pan head. w/wire clamp

MAGNUM®

Series 7000

MAG-MASTER® Electronic/Field Wiring Interfaces

SPECIFICATIONS

Rating: 3 or 5A, 250V. Terminal style determines max. current, consult factory for details. Flat ribbon connectors are rated at 1 Amp per circuit.

Terminals: Field wiring terminals have bright zinc plated steel screws on .325" centers in two rows. #6-32 screws accept #14-22 AWG CU wire and .250" wide wire lugs.

Material: Black, UL Rated 94VO Thermoplastic

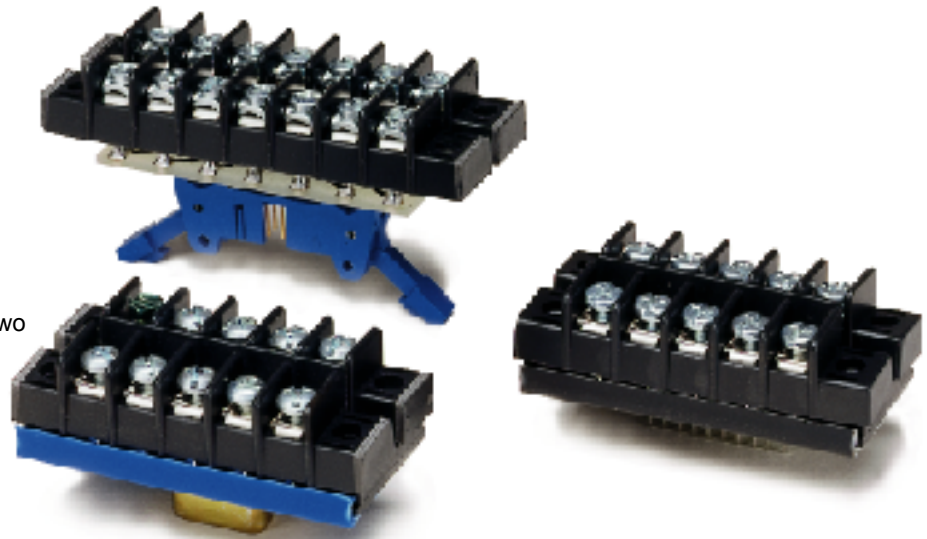
Operating Temperature: 105°C continuous

Approvals: UL E62622; CE Certified

Fast: Convenient connecting of field wiring to edge card, pin type, flat ribbon and sub-miniature D connectors.

Economical: No need to fabricate special adapting devices. Saves design and production time, QA/QC, field labor and reduces overall installed cost.

Versatile: Choose from six standard MAG-MASTER® interfaces offering interfaces for up to 60 circuits.



Part Numbering System

Series

n

Connector

nn

- 14 - subminiature D male
- 15 - subminiature D female
- 22 - .100 x .100 flat cable long latc
- 30 - .100 centers mass wiring header
- 32 - .156 centers mass wiring header

Circuits*

nn

- 08, 09, 10,
- 14, 15, 16,
- 20, 24, 25,
- 26, 30, 32,
- 34, 37, 40
- 50

* Circuit sizes vary by connector style.

Options

nn

- 01 - Green hex
- 07 - Steel Sems
- JA, JB & JC - Jumpers
- B7 - B9 - .187" QC
- TL - Fixed thread lock #4-40 (for connector types 14 & 15 only)

Marker strips - Contact factory
Special orientations - Contact factory

Type 14 - Subminiature D Male

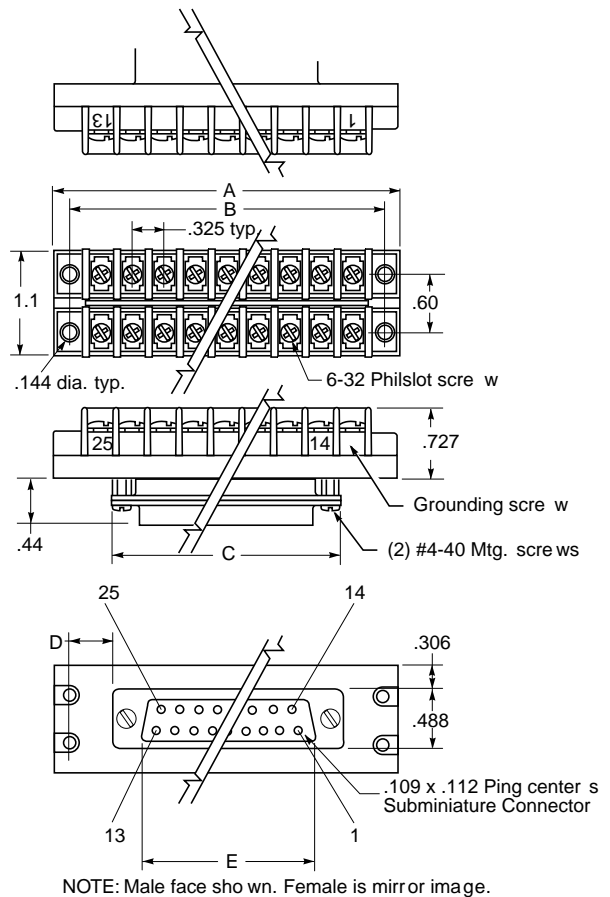
Marking (if required) will identify ground screw and contacts.

Type 15 - Subminiature D Female

Marking (if required) will identify ground screw and contacts.

Circuits	A Overall Length	B Mount Centers	C Connector Length	D Mnt. Holes To Connector	E Male	E Female
09	2.34	1.95	1.22	0.36	0.70	0.64
15	3.32	2.92	1.54	0.69	1.03	0.97
25	4.94	4.55	2.09	1.23	1.57	1.51
37	6.89	6.50	2.74	1.88	2.22	2.16

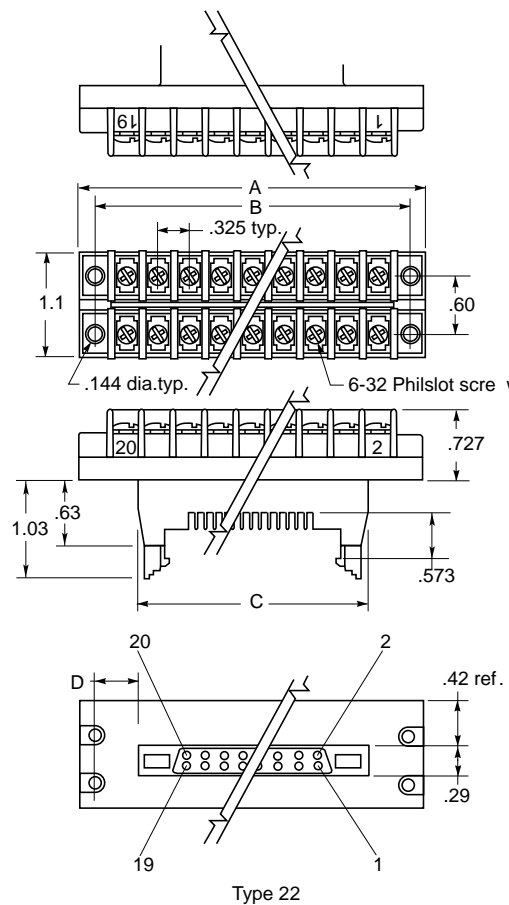
Dimensions in inches. To convert to millimeters, multiply by 25.4.



Type 22 - .100 x .100 Centers Flat Cable with Long Latch

Circuits	A Overall Length	B Mount Centers	C Connector Length	D Mount Holes To Connector
10	2.34	1.95	1.26	.345
14	2.99	2.60	1.46	.570
16	3.31	2.92	1.55	.682
20	3.96	3.57	1.76	.908
26	4.94	4.55	2.05	1.24
34	6.24	5.85	2.46	1.69
40	7.21	6.82	2.76	2.03
50	8.84	8.45	3.26	2.59

Dimensions in inches. To convert to millimeters, multiply by 25.4.

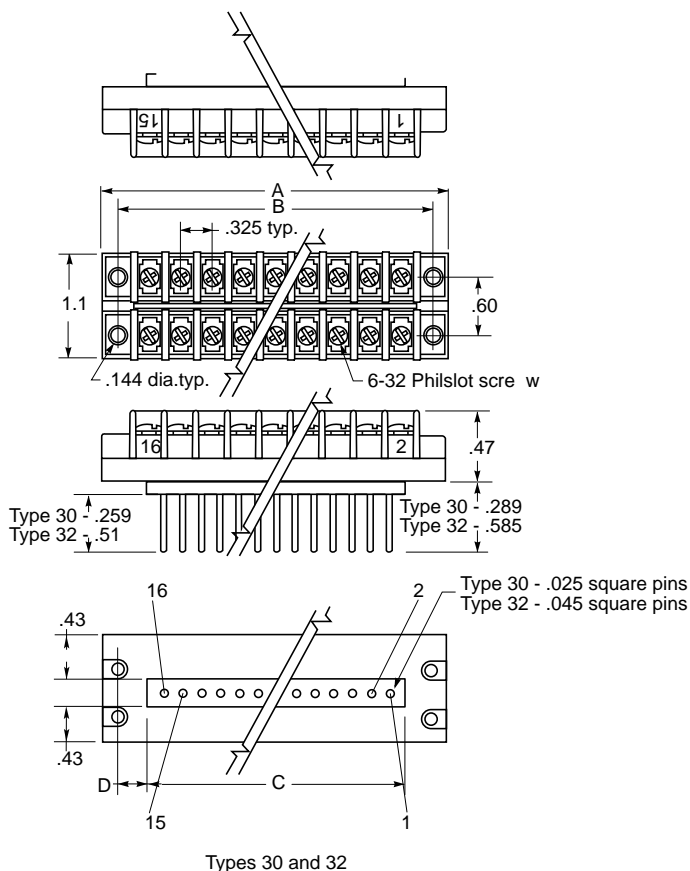


MAGNUM®

Type 30 - .100 Centers Mass Wiring Headers

Circuits	A Overall Length	B Mount Centers	C Connector Length	D Mount Holes To Connector
08	2.02	1.62	0.80	0.41
10	2.34	1.95	1.00	0.48
16	3.32	2.92	1.60	0.66
20	3.97	3.57	2.00	0.79
24	4.62	4.22	2.40	0.91
30	5.59	5.20	3.00	1.10

Dimensions in inches. To convert to millimeters, multiply by 25.4.



Type 32 - .156 Centers Mass Wiring Headers

Circuits	A Overall Length	B Mount Centers	C Connector Length	D Mount Holes To Connector
16	3.32	2.92	2.50	0.21
24	4.62	4.22	3.74	0.24
32	5.92	5.52	4.99	0.27
40	7.22	6.82	6.24	0.29

Dimensions in inches. To convert to millimeters, multiply by 25.4.

Series 7000 MAG-MASTER® Continued

Screw Options



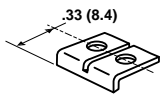
03
Stainless Steel



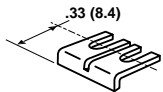
07
Steel SEMS
Zinc Plated

Hardware Options (Bulk ordering part numbers are in parentheses.)

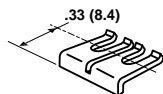
Jumpers



JA (JA1-XX)

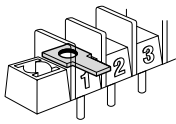


JB (JB1-XX)

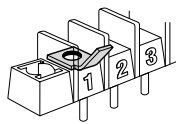


JC (JC1-XX)

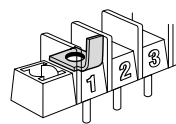
Quick Connects Blade Width B = .187".
(For other orientations, contact factory.)



B7 (1B7)



B8 (1B8)



B9 (1B9)

Marker Strips

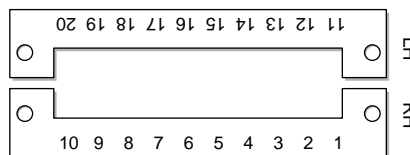
Optional Marker Strips are available for MAG-MASTER® in the two styles of marking shown here. The strips install with the mounting screws under the terminal block extending beyond the sides of the block. Shipped in pairs, unassembled.

To order, specify MS followed by MAG-MASTER® part no. and style desired. Example: MS722120-1. If special markings are required, submit a drawing.

DO NOT ADD STYLE NO. FOR MARKER STRIPS USED WITH TYPE 14 AND TYPE 15 (D-SUBMINIATURE CONNECTORS). MARKING WILL CORRESPOND TO CONTACT NUMBERS ON CONNECTOR.



Style 1



Style 2

MAGNUM®

Custom Capabilities

For over 50 years, MAGNUM's key strength has been designing custom products for the electronic and electrical markets.

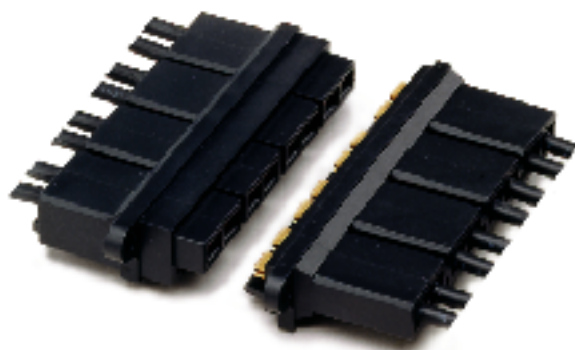
Once a product need is identified, an innovative team of design engineers works closely with the customer to discuss their needs. This enables our team to design and develop custom products tailored to meet specific customer requirements.

MAGNUM helps you get a jump on the competition!

By utilizing an in-house Model Shop and state-of-the-art technology such as advanced computer aided design (CAD) and ProE, MAGNUM has the ability to reduce the time it takes to move from a concept to a prototype. Functional prototypes are available in weeks, not months, which enables our customers to get a jump on their competition. Our design engineers also take advantage of electronic mail to transfer files back and forth, which greatly reduces time in the design process.

MAGNUM also utilizes a complete in-house UL and CSA qualified testing facility. This saves our customers valuable time and money by eliminating the costly expense and red tape involved in gaining agency approvals.

Over the years, MAGNUM engineers have registered hundreds of patents. The following are a few examples of custom products the MAGNUM team has developed for our valued customers:



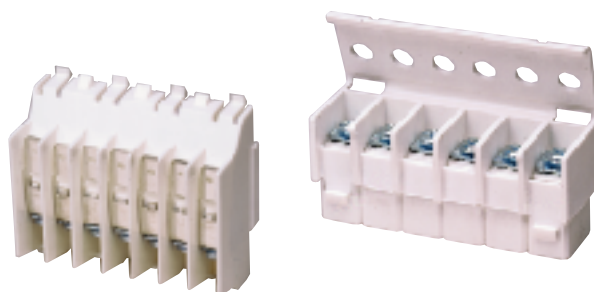
Power Connector

This power connector is used in utility substations and allows safe, uninterrupted electricity flow to a protective relay. This block saved our customer 30% in cost and was more reliable than the competitor's block.



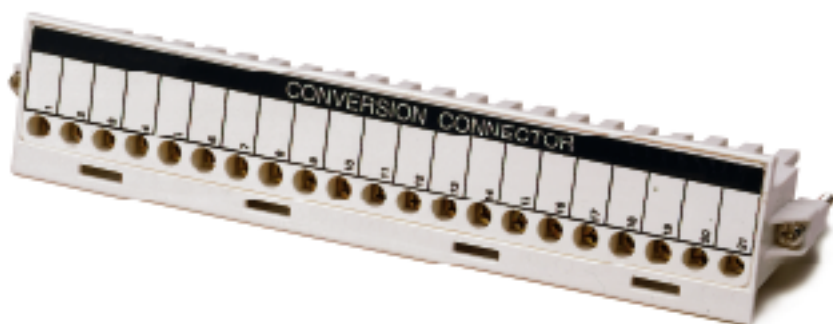
Back Housing for PLC

This custom product is primarily used in the chemical refinement and food processing industries. The removable wire connectors, which were previously not available, allow for easy installation for the end user.



Quick Connect Power Connector / Power Junction Block

These blocks are used in a serviceable circuit breaker unit. The triple quick connect power connector is capable of carrying 30 Amps, 300 Volts. Both blocks saved our customer 20% in cost while reducing the overall connector count in the unit.



Dead-Front Connector

This dead-front connector is used as an I/O device in industrial systems to manage controlling equipment, motors, and HVAC equipment. It took MAGNUM's design engineers only 5 months to design the connector, develop prototypes, and release parts for production tooling.



Edgcard Connector

This edgcard connector interfaces with a double-sided printed circuit board. It is used as a fault indicator for power transmission substations.

MAGNUM®

Cooper Bussmann Compliance References

UL 1059 Basic Voltage Rating

Voltage ratings of terminal blocks are based on the minimum spacing between electrical conductive parts of opposite polarity or between an electrically conductive part and a metal mounting surface measured under two conditions: Through Air, defined as the distance an arc must take through air to go from one live conductor to another or from a live conductor to ground; and Over Surface, defined as the distance an arc must take over the surface of the insulating material going from one terminal to ground, assuming the arc will travel along the surface rather than through the air. The following chart shows UL 1059 spacing requirements, in inches.

	Voltage	Spacing Thru Air	Requirements Over Surface
Class A			
Service equipment including panel boards, deadfront switchboards, service entrance devices, etc.	51-125	.50	.75
	126-250	.75	1.25
	251-600	1.00	2.00
Class B			
Commercial appliances including business equipment, electronic data processing equipment and the like.	51-125	.06	.06
	126-250	.09	.09
	251-600	.38	.50
Class C			
General industrial and machine tool controls which can be further defined as equipment falling under UL508.	51-150	.12	.25
	151-300	.25	.38
	301-600	.38	.50

UL and CSA Compliance

Magnum® Terminal Blocks comply fully with UL 1059 and UL 94VO self-extinguishing classification. The blocks are recognized under UL file no's. E48580 and E62622 and CSA no's. LR28145 and LR15364. Note: UL ratings higher than those listed are possible and can vary, depending upon the application. Requests for higher ratings are considered by UL on an individual basis. Where UL or CSA listings are required, it is usually easier to gain approvals on feed-thru blocks that have insulator bases.

IEC Compliance

Most Magnum® Terminal Blocks comply with the requirements in IEC Publication 947-7-1 Low Voltage Switchgear and Controlgear. These blocks are concurrently Recognized and Certified under the UL Classification Program. Ratings, except where indicated, are concurrent with UL 1059.

ISO

In 1994, Cooper Bussmann achieved certification to ISO 9001, the most stringent set of quality system standards set forth by the international organization for standards. We are committed to quality performance at all levels of the organization.

CE

In 1998, Cooper Bussmann received CE certification on all MAGNUM products. CE is a self-certification on product safety and performance and is required for free movement of product into the European market.

Suitability of Magnum® Terminal Block Series under UL 1059

Use this chart for quick, easy Magnum series selection for your application. Some Magnum blocks have more than one voltage rating depending on the end use application as indicated here.

MAGNUM® Series	Class A			Class B			Class C		
	51-125 Volts	126-250 Volts	251-600 Volts	51-125 Volts	126-250 Volts	251-600 Volts	51-150 Volts	151-300 Volts	301-600 Volts
1000	No	No	No	Yes	Yes	No	Yes	No	No
2000*	No	No	No	Yes	Yes	No	Yes	Yes	No
3000*	No	No	No	Yes	Yes	Yes	Yes	Yes	Yes
4000*	Yes	No	No	Yes	Yes	Yes	Yes	Yes	Yes
5000*	No	No	No	Yes	Yes	No	Yes	Yes	No
7000	No	No	No	Yes	No	No	Yes	No	No
TB100*	No	No	No	Yes	Yes	No	Yes	No	No
TB200*	No	No	No	Yes	Yes	No	Yes	Yes	No
TB200HB*	No	No	No	Yes	Yes	Yes	Yes	Yes	Yes
TB300*	No	No	No	Yes	Yes	Yes	Yes	Yes	Yes
TB400	No	No	No	Yes	Yes	Yes	Yes	Yes	Yes

* With certain options, ratings may vary – consult factory.

MAGNUM, formerly known as Bussmann Circuit Components, is a stand-alone operating unit of Cooper Bussmann. MAGNUM, located in Chicago, IL, manufactures the most complete selection of terminal blocks including North American and European style terminal blocks, DIN rail sectional blocks, and power distribution blocks. Along with this wide range of terminal blocks, MAGNUM also manufactures circuit protection devices, disconnect switches and custom products for the electronic, electrical, and automotive markets.

With over fifty years of exceptional service and quality products, MAGNUM continues to be a world leader in the terminal block market. We believe in building long-term relationships with our customers and strive to exceed all expectations through superior customer service, quality products, and continuous improvement.



CUSTOMER SERVICE

All MAGNUM team members take pride in their work to provide our customers with superior products and service. At MAGNUM, we work as a team to satisfy our customers and will go that extra mile to meet our customers' needs! Qualified professionals process all communications, inquiries, quotations, and purchase orders while coordinating the scheduling and shipping to ensure on-time delivery. We strive to maximize productivity, minimize problems, and assure our customers of high quality products and service. Our innovative team of design engineers will design and develop products for any applications and our knowledgeable technical staff is available to help you with all your product needs. MAGNUM is the only source you need for quality products and superior customer service.



QUALITY

MAGNUM's commitment to providing quality products and service is apparent at all levels of the production process. In 1994, MAGNUM was awarded ISO9001 certification which encompasses all functional areas of our business including design and development, purchasing, production, quality control and customer service. Along with ISO certification, MAGNUM also complies to UL, CSA, VDE, IEC, SAE, and CE standards. In addition, MAGNUM utilizes and maintains a complete in-house lab facility for performing UL, CSA, and IEC qualification testing. This saves valuable time and money by eliminating the costly expense and procedures involved in gaining agency approvals. With MAGNUM, you can be assured to receive the highest quality in interconnection products.



CONTINUOUS INNOVATION

At MAGNUM, we are continually searching for new ways to improve our products and processes to provide our customers superior value. Customers can transmit orders and expedite through EDI, which saves time and eliminates unnecessary paperwork. Our design engineers utilize state-of-the-art technology and design software which provides a quick turn-around time for product designs and prototypes. Our manufacturing team currently uses Kan Ban and JIT processes to ensure on-time delivery of all MAGNUM products. Let MAGNUM show you how fifty years of experience and continuous innovation can have a positive impact on your business!

Get Connected With MAGNUM!

Look for other reliable products
from Cooper Bussmann
in these comprehensive catalogs . . .

Circuit Protection

Products for DC mobile and AC supplementary circuit protection requirements including Shortstop®, Flat-Pak® and Hi-Amp™ auto, manual or modified reset and switchable circuit breakers, Maxi®, ATC®, ATM® blade type circuit protectors, Stud Type Junction Blocks, Blade type Fuse Panels and Battery Disconnect Switches.

Wire Management Products

A wide array of wire management products in one, easy-to-use selection guide. 35mm DIN and C-Rail type barrier style blocks in splicer, quick-connect, depluggable, and fused versions, as well as base mountable sections; Power Distribution blocks for higher current capacity in multiple load, splicer, and studded versions; MAGNUM Double Row terminal blocks and accessories; Junction Blocks in both surface mount and feed-through single stud styles; Photo Control Receptacles; and Non-fused Disconnect blocks.

MAGNUM®

COOPER BUSSMANN • 7300 W. Wilson Ave. • Chicago, IL 60656-4708 • Fax: 708-867-2211 • Phone: 708-867-4600
Website: <http://www.busscc.com>

Mouser Electronics

Authorized Distributor

Click to View Pricing, Inventory, Delivery & Lifecycle Information:

[Cooper Bussmann:](#)

[EM292902](#)