

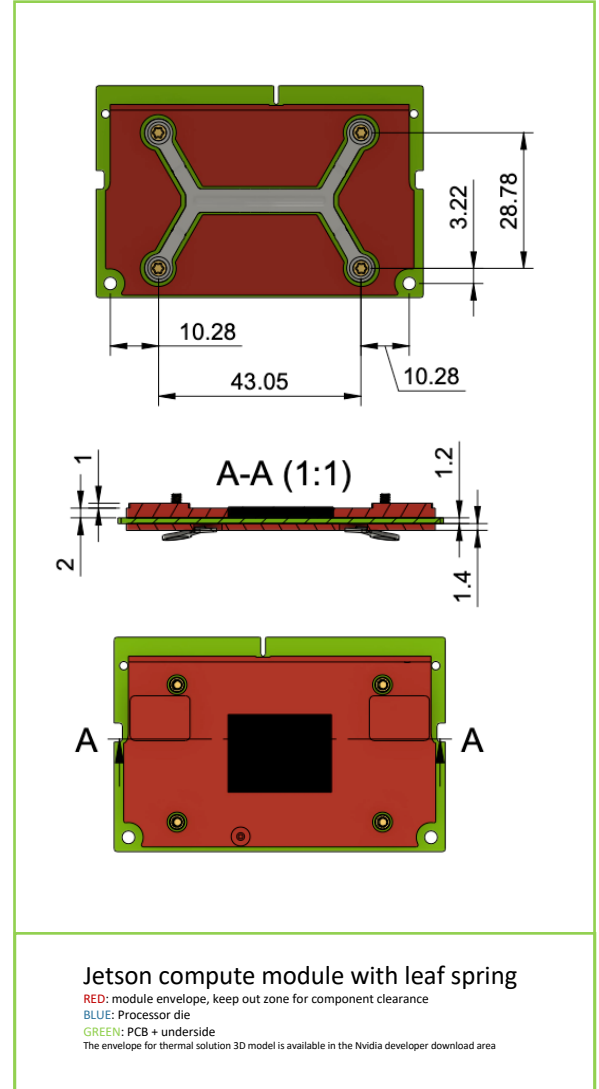
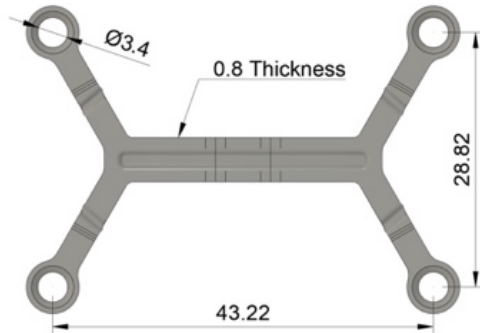
Heatsink / Heatspreader / Leaf spring

Overview

The Orin NX/Nano leaf spring kits for secure mounting of cooling solutions. This ensures optimal thermal interface while minimizing the risk of damaging the module.

Implementation guidelines

- Refer to Nvidia Orin Nano/NX Thermal Design Guide for thermal dissipation requirements
- Recommended material for heatsink is aluminum or copper
- Use intermediate heat transfer compound (paste or pad), do not screw the module directly to heatsink/heat spreader or case
- When using heatspreader use thermal pad >0.5mm between heatspreader and enclosure to ensure thermal conductivity
- Do not cover the module envelope
- Use <0.15Nm for Tx8 screws
- Handle module with care during assembly (ESD)
- Ensure correct orientation of the spring. The leaf spring should only contact the module in the middle
- SO-DIMM connector spacers must be used to reduce stress on the PCB



SKU	Kit	Includes
70696	Leaf spring kit	<ul style="list-style-type: none"> Leaf spring 4x screws (Tx8)
70798-OK	Cooling kit	<ul style="list-style-type: none"> Heatsink (70812) with integrated fan Leaf spring 4x screws (Tx8)
70810-OK	Cooling kit Industrial	<ul style="list-style-type: none"> Industrial heatsink (70812-C) Leaf spring 4x screws (Tx8)
70606	Heatspreader	<ul style="list-style-type: none"> Heatspreader 4.15mm
70606-1	Heatspreader	<ul style="list-style-type: none"> Heatspreader 5.15mm
70606-2	Heatspreader	<ul style="list-style-type: none"> Heatspreader 6.65mm
70606-3	Heatspreader	<ul style="list-style-type: none"> Heatspreader 3.15mm
70606-4	Heatspreader	<ul style="list-style-type: none"> Heatspreader 7.25mm
70812	Heatsink	<ul style="list-style-type: none"> Heatsink with integrated fan
70812-C	Heatsink Industrial	<ul style="list-style-type: none"> Industrial heatsink
70812-P	Passive heatsink	<ul style="list-style-type: none"> Passive heatsink



Specifications subject to change without notice. All trademarks are property of their respective holder.

Cooling Solutions

Cooling Solution for Orin NX/Nano

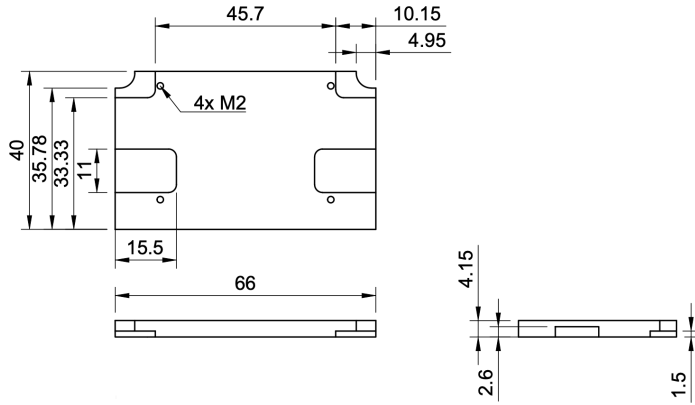
Cooling kits	
<p>Cooling kit (70798-OK)</p> 	<p>Heatsink (70812) 23mm cable length</p> 
<p>Cooling kit industrial (70810-OK)</p> 	<p>Heatsink industrial (70812-C) 101mm cable length</p> 
<p>Leaf spring kit (70696)</p> 	<p>Passive heatsink (70812-P)</p> 

Cooling Solutions

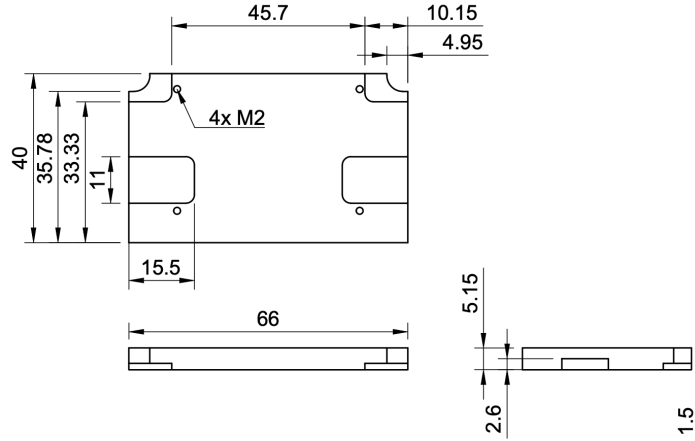
Cooling Solution for Orin NX/Nano

Heatspreader

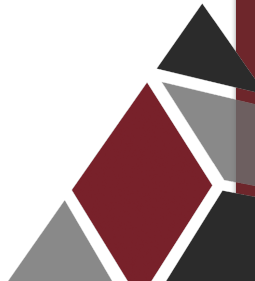
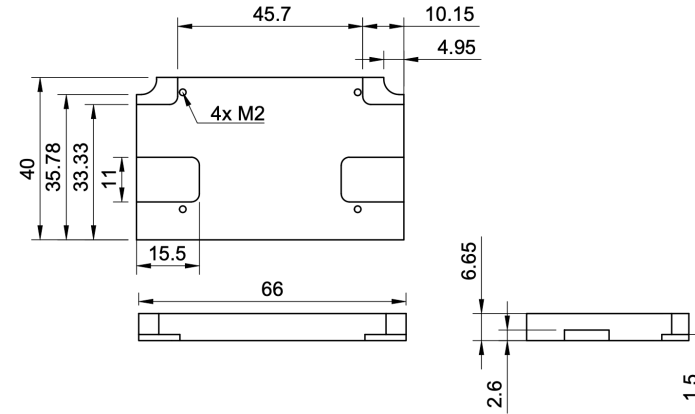
Heatspreader 4.15mm (70606)



Heatspreader 5.15mm (70606-1)

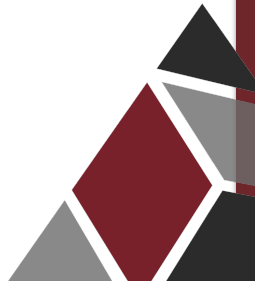
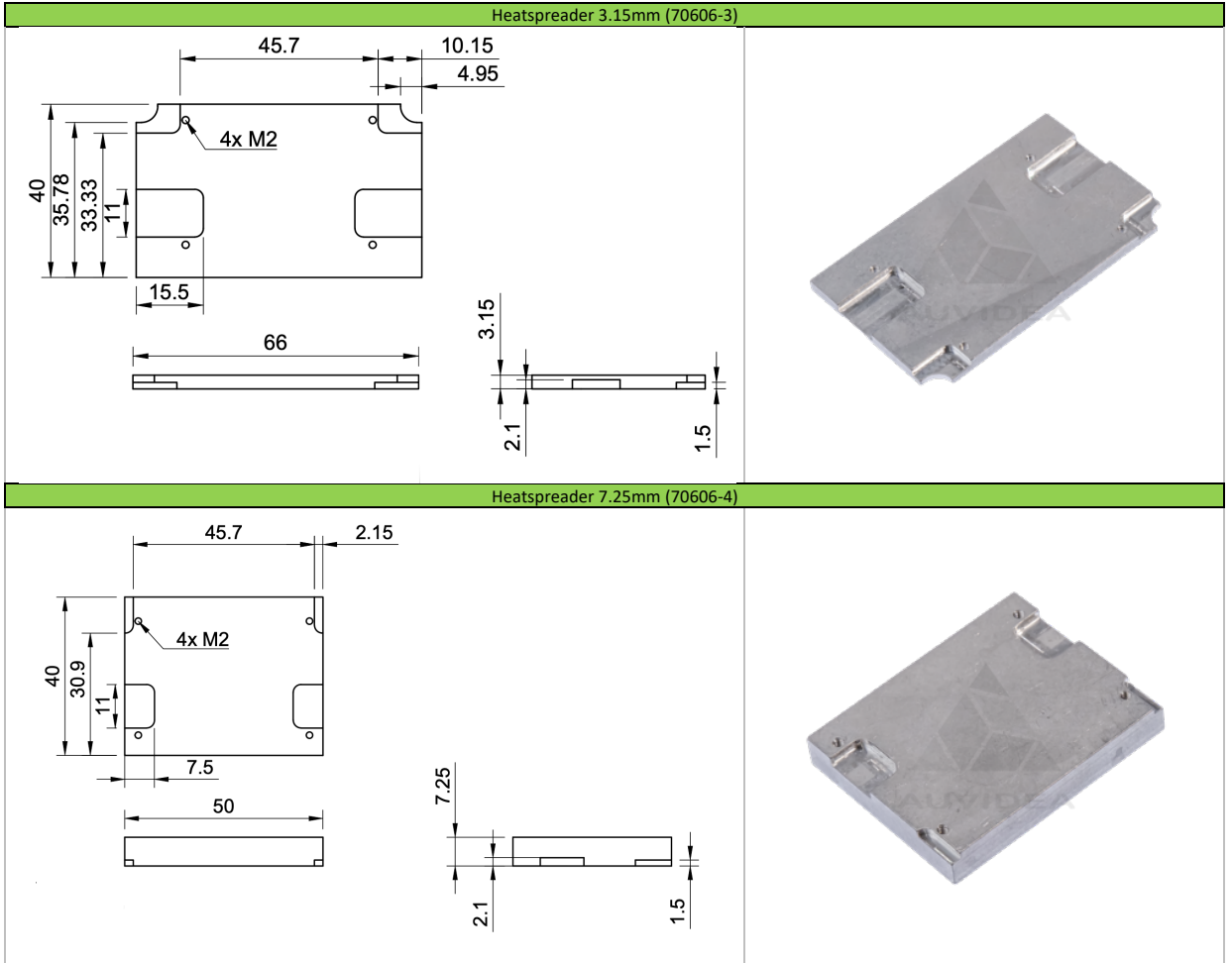


Heatspreader 6.65mm (70606-2)



Cooling Solutions

Cooling Solution for Orin NX/Nano



Mouser Electronics

Authorized Distributor

Click to View Pricing, Inventory, Delivery & Lifecycle Information:

[Auvideo:](#)

[70696](#) [70606](#) [70812](#)