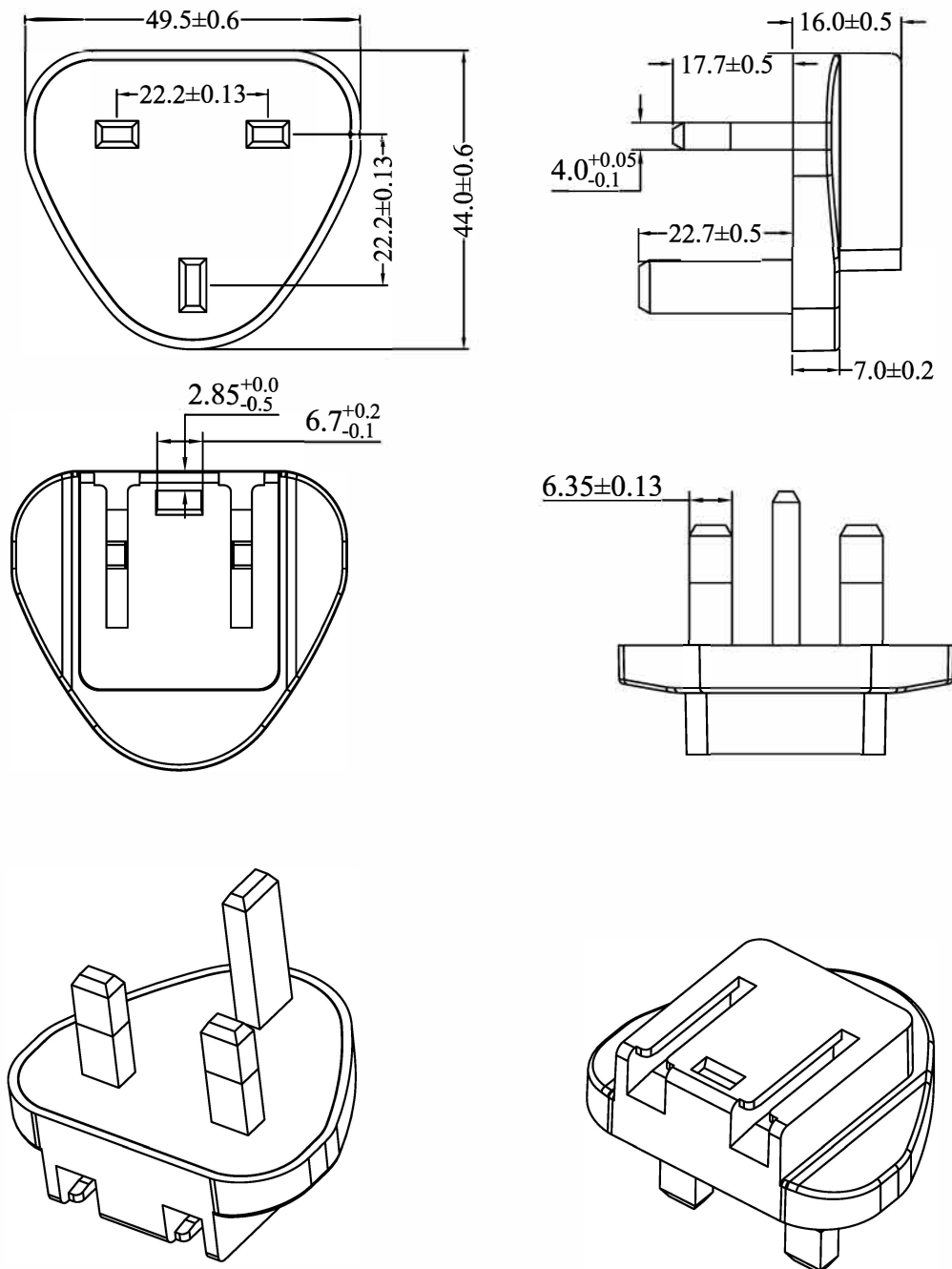




BSI AC Plug Dimension(unit:mm)



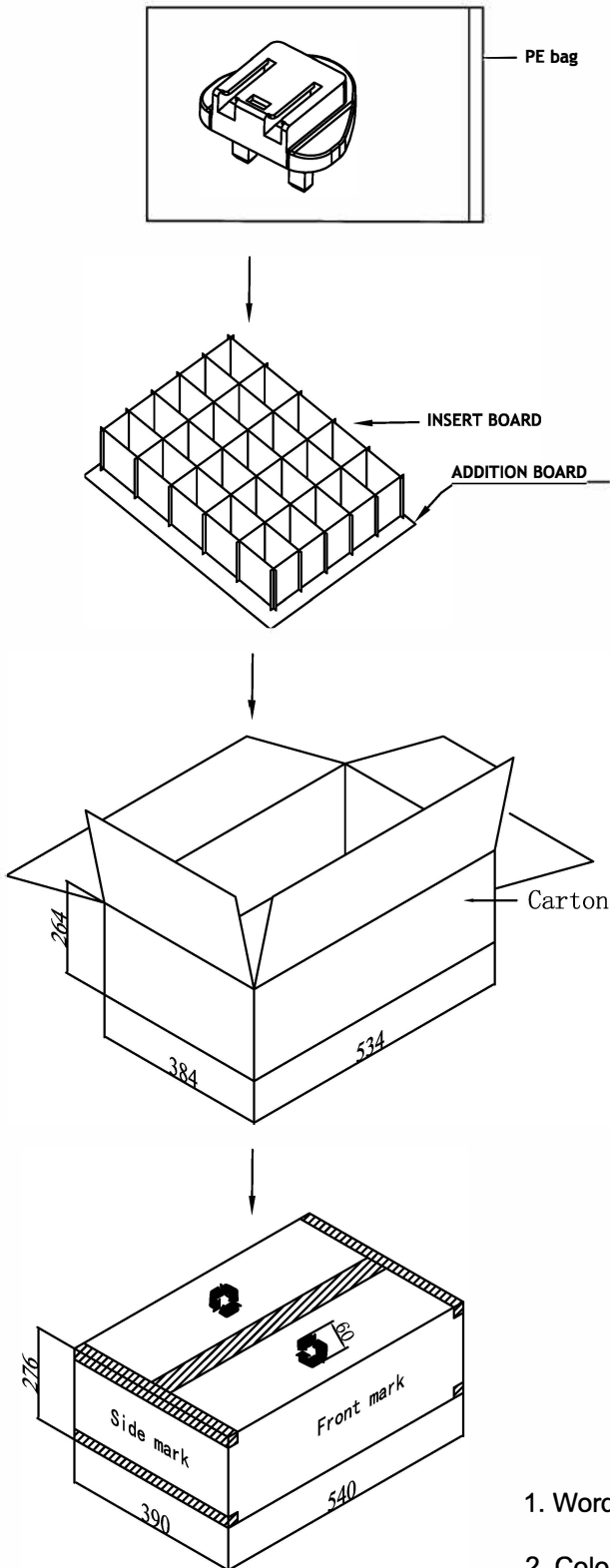
LCP-BSI Plug Black RoHS+RAHS

300300892000(20100351)

Part No.: KT1001UK



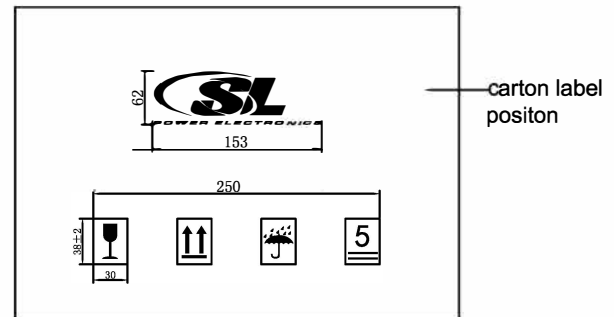
Package Method(unit:mm)



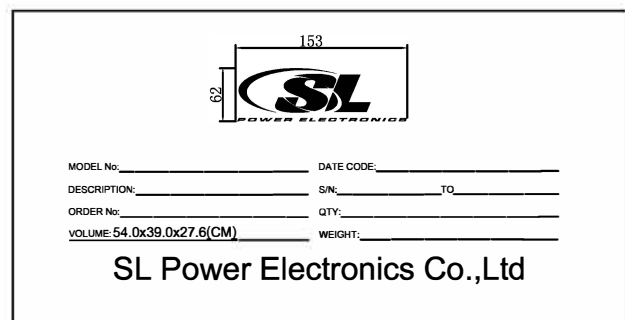
Technical Requirement:

1. Carton: 2 layers wall, 6mm thickness.
Outline dimension: 540mm × 390mm × 276mm
2. Additional board:
3 mm thickness
3 pieces per carton.
3. Humidity protector:
Each plug packed in a small PE bag.
All plugs packed in a big PE bag with an outer carton.
4. Quantity:
2 layers per carton.
200 pcs. per layer.
400 pcs. per carton.
5. Weight:
Each carton approx. 11.4 kg gross.
Each carton approx. 9.2 kg net.

Side mark



Front mark



1. Words: SL Electronics Co.,Ltd. is Arial, 20mm high
Other words is Arial, 13mm high
2. Color: Recycle logo 60mm high, center position;
words & logo is black.

Mouser Electronics

Authorized Distributor

Click to View Pricing, Inventory, Delivery & Lifecycle Information:

[Advanced Energy:](#)

[KT1001UK](#)