

CABLE 395 RF: I-PEX MHF + RP SMA RIGHT ANGLE BULKHEAD JACK WITH O-RING RATED TO IP67/68 + MULTIPLE CABLE SIZES, 6GHz

SPECIFICATIONS :

1. I-PEX MHF PLUG, P/N: FOR RG178 CABLE: 20278-112R-18, FOR ϕ 1.13MM CABLE: 20278-112R-13, FOR ϕ 1.37MM CABLE: 20351-112R-37.
2. COAXIAL CABLE, SEE P/N OPTION FOR DETAIL.
3. RP SMA RIGHT ANGLE BULKHEAD JACK WITH O-RING RATED TO IP67/68, GOLD PLATED, P/N:
FOR RG178 CABLE: RFCT-SMA077-F78.
FOR ϕ 1.13MM CABLE: RFCT-SMA078-F13.
FOR ϕ 1.37MM CABLE: RFCT-SMA078-F37.

ENVIRONMENTAL:

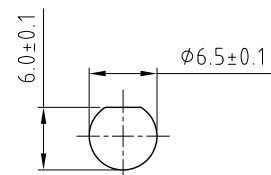
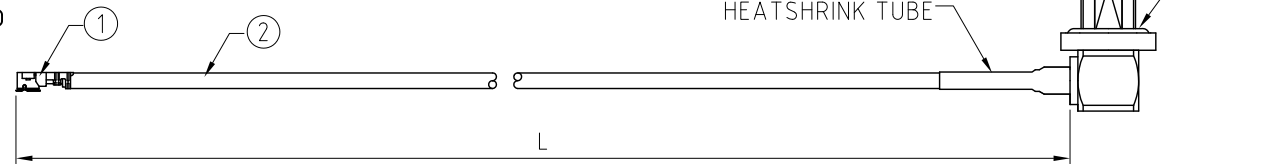
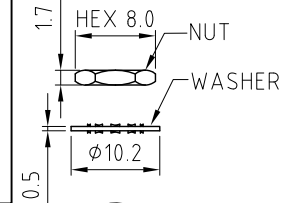
- A. BULKHEAD MOUNTED CONNECTOR (RFCT-SMA077-F78/ RFCT-SMA078-F13) RATED TO THE FOLLOWING SPECIFICATION:
- i. IP6X - DUST TIGHT - NO PARTICLE INGRESS.
 - ii. IPX7 WATERPROOF FOR 30 MINUTES UP TO 1 METER UNDERWATER.
 - iii. IPX8 WATERPROOF FOR 48 HOURS AT 1 METER UNDERWATER.

NOTES:

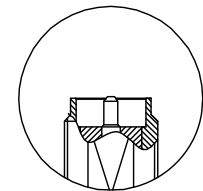
1. THE ORIENTATION OF CONNECTORS ON DRAWING IS FOR REFERENCE ONLY, IF THE ORDER IS LEFT BLANK THE CONNECTOR WILL NOT HAVE FIXED ORIENTATION.
2. FIXED ORIENTATION IS SUGGESTED FOR CABLE LENGTH 50MM TO 100MM. PLEASE SPECIFY THE FIXED ORIENTATIONS FROM THE ORDER CODE (F1, F2, ETC)
3. CONTACT GRADCONN IF THE ORIENTATION YOU REQUIRE IS NOT SHOWN.
4. WORKING FREQUENCY RANGE: DC-6GHz.
5. OPERATING TEMPERATURE: -40°C TO +85°C
6. IMPEDANCE: 50 OHM.

USAGE PRECAUTIONS: CABLES USING 'MICRO' COAX ARE DELICATE:

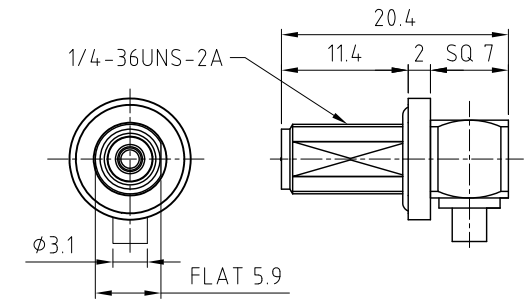
- (i) HANDLE WITH CARE.
- (ii) DO NOT TWIST; APPLY EXCESSIVE FORCES OR SHARP BENDS TO THE CABLE. DO NOT FORCEFULLY DEFORM WIRES.
- (iii) CONSULT CONNECTOR MANUFACTURER'S DATASHEETS FOR DETAILED NOTES ON HANDLING INSTRUCTIONS.



RECOMMENDED SMA MOUNTING HOLE



DETAIL A



SMA DETAIL DRAWING

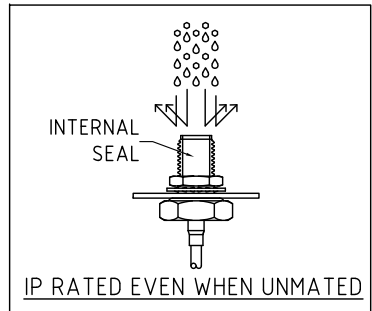
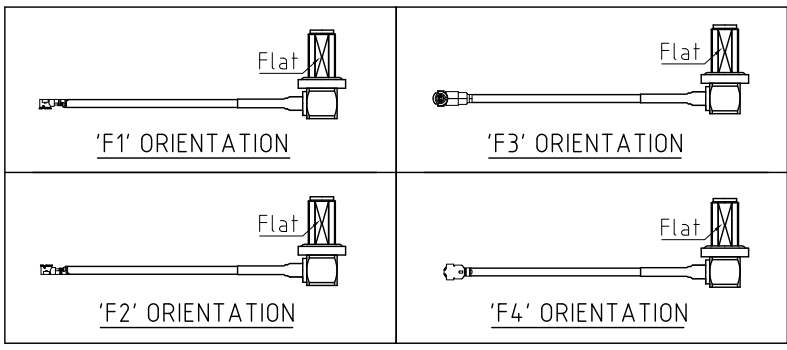
HOW TO ORDER
CABLE 395 RF - XXX - XX - X - X

"L" LENGTH IN MM:
eg: 100MM = 100
(MIN. 050-MAX.400)
STANDARD = 100, 150, 200
Tolerance: 50-200mm: ±5mm.
201-400mm: ±7mm.

CABLE SIZE OPTIONS:
1 = RG178 CABLE, COLOR: BROWN
2 = ϕ 1.13MM CABLE, COLOR: GRAY
3 = ϕ 1.37MM CABLE, COLOR: BLACK

WASHER AND NUT OPTIONS:
BLANK = SEPARATELY PACKED (STANDARD)
A = ASSEMBLED WITH CONNECTOR

ORIENTATION OPTIONS:
BLANK = DOES NOT HAVE A FIXED ORIENTATION
F1 = OPPOSITE ORIENTATION (L=50-200MM)
F2 = SAME ORIENTATION (L=50-200MM)
F3 = LEFT CONNECTION SAME AS D-FLAT (L=50-200MM)
F4 = LEFT CONNECTION OPPOSITE TO D-FLAT (L=50-200MM)
(SEE NOTES 1, 2, 3 AND DIAGRAMS FOR MORE INFORMATION)



REV. DATE & DRN
10. 27/04/20 - NYW RELEASE
11. 04/05/20 - NYW 2
12. 04/05/20 - NYW 2
13. 05/09/23 - NYW
14. 31/03/24 - CC
ADD IP RATING VIEW

| | | |
|-------------------|-----------------------|--|
| Scale: NTS | THIRD ANGLE | Unstated Tolerances: |
| Drawn: CC | | .X ±0.2 .XX ±0.2 .XXX ±0.2 ANGLES N/A |
| App'd: XXX | Title: CABLE ASSEMBLY | |
| Date: 31 MAR. '24 | Revision: 1.4 | Unit: mm |



IP Rated RF Products



www.gradconn.com

| | |
|---------------------------------|-----------|
| Drawing Number: CABLE 395 RF | |
| Sheet 1 | of 1 |
| Drawing | E and O E |

Mouser Electronics

Authorized Distributor

Click to View Pricing, Inventory, Delivery & Lifecycle Information:

[Global Connector Technology \(GCT\):](#)

[CABLE 395 RF-100-A-1](#) [CABLE 395 RF-200-A-1](#) [CABLE 395 RF-150-A-1](#) [CABLE 395 RF-050-A-1](#)