



CAB505RF: I-PEX MHF PLUG + S/S RP SMA STRAIGHT BULKHEAD JACK W/O-RING RATED TO IP67/68 + MULTIPLE CABLE SIZES

SPECIFICATIONS :

1. I-PEX MHF PLUG, GOLD PLATED, P/N:
FOR RG178 CABLE: 20278-112R-18.
FOR $\phi 1.13$ MM CABLE: 20278-112R-13.
2. COAXIAL CABLE, SEE P/N OPTIONS FOR DETAIL.
3. RP SMA STRAIGHT BULKHEAD JACK W/O-RING, W/SUS303 STAINLESS STEEL BODY, RATED TO IP67/68, P/N: RFCT-SMA101-F78 (WITH SILICON O-RING) OR RFCT-SMA101-F78-1 (WITH EPDM O-RING).

USAGE PRECAUTIONS: CABLES USING 'MICRO' COAX ARE DELICATE:

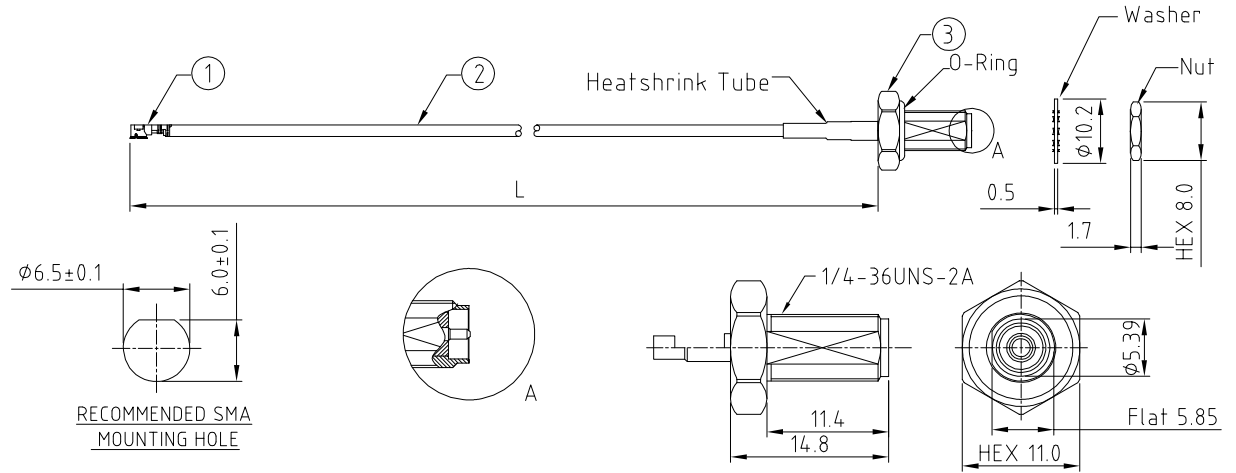
- (i) HANDLE WITH CARE.
- (ii) DO NOT TWIST; APPLY EXCESSIVE FORCES OR SHARP BENDS TO THE CABLE. DO NOT FORCEFULLY DEFORM WIRES.
- (iii) CONSULT CONNECTOR MANUFACTURER'S DATASHEETS FOR DETAILED NOTES ON HANDLING INSTRUCTIONS.

ENVIRONMENTAL:

- A. BULKHEAD MOUNTED CONNECTOR (RFCT-SMA101-F78) RATED TO THE FOLLOWING SPECIFICATION:
- i. IP6X - DUST TIGHT - NO PARTICLE INGRESS.
 - ii. IPX7 WATERPROOF FOR 30 MINUTES UP TO 1 METER UNDERWATER.
 - iii. IPX8 WATERPROOF FOR 48 HOURS AT 1 METER UNDERWATER.

NOTES:

1. THE ORIENTATION OF CONNECTORS ON DRAWING IS FOR REFERENCE ONLY, IF THE ORDER IS LEFT BLANK THE CONNECTOR WILL NOT HAVE FIXED ORIENTATION.
2. FIXED ORIENTATION IS SUGGESTED FOR CABLE LENGTH 25MM TO 100MM. PLEASE SPECIFY THE FIXED ORIENTATIONS FROM THE ORDER CODE (F1, F2, ETC)
3. CONTACT GRADCONN IF THE ORIENTATION YOU REQUIRE IS NOT SHOWN.
4. WORKING FREQUENCY RANGE: DC-3GHz.
5. OPERATING TEMPERATURE: -40°C TO +85°C
6. IMPEDANCE: 50 OHM
7. IF THE CONNECTOR IS USED IN A CORROSIVE ENVIRONMENT, WE RECOMMEND THE CONNECTOR FACE IS PROTECTED WITH A STAINLESS STEEL DUST CAP.
8. PLEASE USE THE RECOMMENDED TORQUE FORCES FOR STAINLESS STEEL CONNECTORS. THIS IS PUBLISHED ON GRADCONN.COM RESOURCES PAGE.



HOW TO ORDER
CAB505RF - X X X X - X X - X - X - X

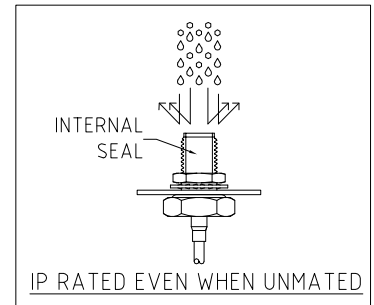
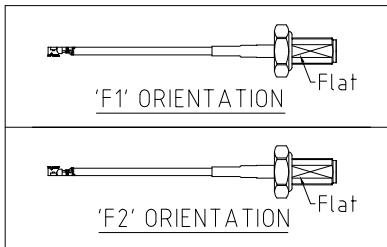
"L" LENGTH IN MM:
eg: 100MM = 0100
(MIN. 0025-MAX.0400)
STANDARD = 0100, 0150, 0200
Tolerance: 50mm: ± 2 mm.
51-200mm: ± 5 mm.
201-400mm: ± 7 mm.

CABLE SIZE OPTIONS:
1 = RG178 CABLE, COLOR: BROWN.
2 = $\phi 1.13$ MM CABLE, COLOR: GRAY.

WASHER AND NUT OPTIONS:
BLANK = SEPARATELY PACKED (STANDARD)
A = ALL ASSEMBLED WITH CONNECTOR

ORIENTATION OPTIONS:
BLANK = DOES NOT HAVE A FIXED ORIENTATION
F1 = MHF CONNECTION DOWN (L=25-200MM)
F2 = MHF CONNECTION UP (L=25-200MM)
(SEE NOTES 1, 2, 3 AND DIAGRAMS FOR MORE INFORMATION)

O-RING MATERIAL OPTIONS:
S = SILICON, RED
E = EPDM, BLACK (STANDARD)



REV. DATE & DRN	10 22/03/22 - NYW RELEASE
ADD NOTE 8.	11 21/12/22 - NYW
AMEND IP RATING	12 23/02/23 - NYW
ADD IP RATING VIEW	13 03/02/24 - CC
MARK EPDM AS STANDARD.	14 01/03/24 - NYW

Scale: NTS	THIRD ANGLE	Unstated Tolerances:
Drawn: CC		.X N/A .XX N/A .XXX N/A ANGLES N/A
App'd: XXX	Title: CABLE ASSEMBLY	
Date: 1 MAR. '24	Revision: 1.4	Unit: mm

IP Rated RF Products

www.gradconn.com

Drawing Number:	
CAB505RF	
Sheet 1	of 1
Drawing (C)	E and O E

Mouser Electronics

Authorized Distributor

Click to View Pricing, Inventory, Delivery & Lifecycle Information:

[Global Connector Technology \(GCT\):](#)

[CAB505RF-0150-A-1-S](#) [CAB505RF-0200-A-1-E](#) [CAB505RF-0300-A-1-E](#) [CAB505RF-0050-A-1-E](#) [CAB505RF-0200-A-1-S](#) [CAB505RF-0100-A-1-S](#) [CAB505RF-0150-A-1-E](#) [CAB505RF-0050-A-1-S](#) [CAB505RF-0300-A-1-S](#) [CAB505RF-0100-A-1-E](#)