



CAB476RF: I-PEX MHF 4L + RP SMA STRAIGHT BULKHEAD JACK WITH O-RING + Ø1.37MM LOW LOSS CABLE, 8GHz

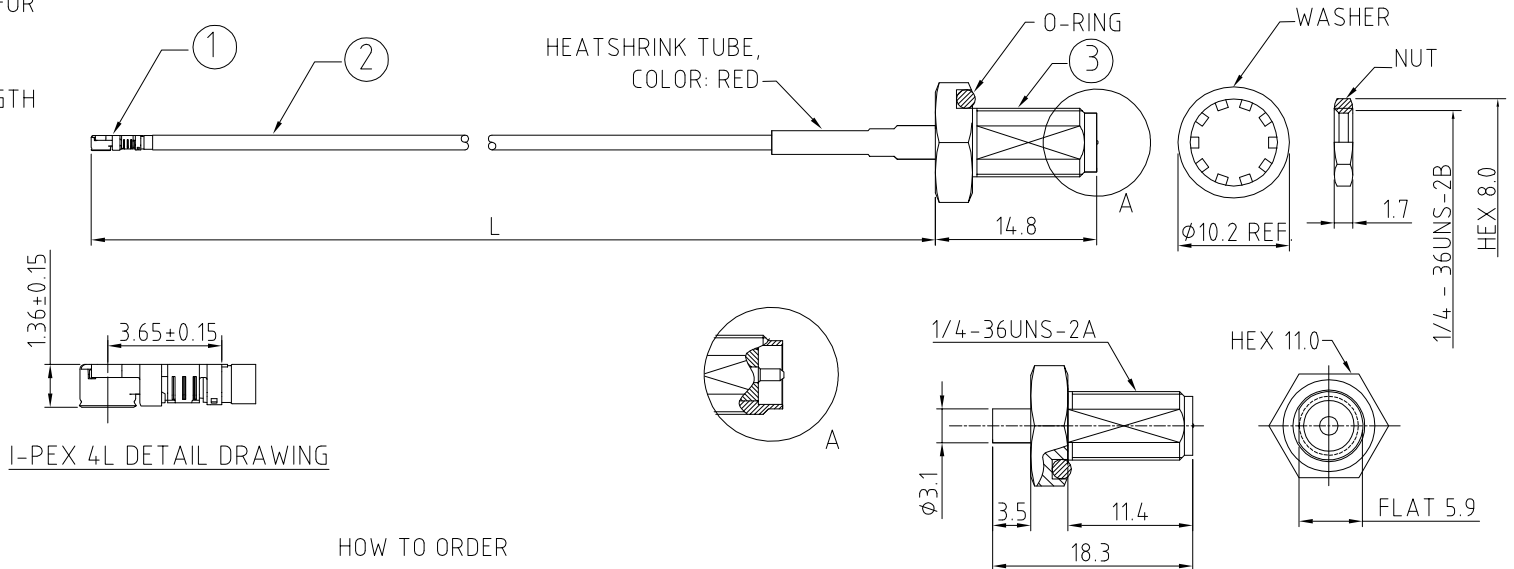
SPECIFICATIONS

1. I-PEX MHF 4L PLUG, P/N: 20632-001R-37.
2. Ø1.37MM LOW LOSS COAXIAL CABLE, COLOR: BLACK.
3. RP SMA STRAIGHT BULKHEAD WITH O-RING, GOLD. P/N: RFCT-SMA092-F37.

NOTES:

1. THE ORIENTATION OF CONNECTORS ON DRAWING IS FOR REFERENCE ONLY, IF THE ORDER IS LEFT BLANK THE CONNECTOR WILL NOT HAVE FIXED ORIENTATION.
2. FIXED ORIENTATION IS SUGGESTED FOR CABLE LENGTH 31MM TO 100MM. PLEASE SPECIFY THE FIXED ORIENTATIONS FROM THE ORDER CODE (F1, F2, ETC)
3. CONTACT GRAD CONN IF THE ORIENTATION YOU REQUIRE IS NOT SHOWN.
4. WORKING FREQUENCY RANGE: DC-8GHz
5. OPERATING TEMPERATURE: -40°C TO + 85°C
6. IMPEDANCE: 50 OHM

**USAGE PRECAUTIONS: CABLES USING 'MICRO' COAX ARE DELICATE:**  
 (i) HANDLE WITH CARE.  
 (ii) DO NOT TWIST; APPLY EXCESSIVE FORCES OR SHARP BENDS TO THE CABLE. DO NOT FORCEFULLY DEFORM WIRES.  
 (iii) CONSULT CONNECTOR MANUFACTURER'S DATASHEETS FOR DETAILED NOTES ON HANDLING INSTRUCTIONS.



I-PEX 4L DETAIL DRAWING

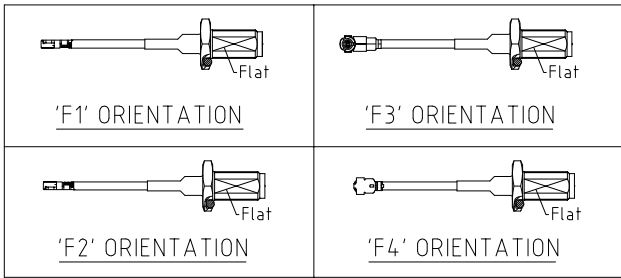
SMA JACK DETAIL DIMENSION

HOW TO ORDER  
 CAB476RF - X X X X - X X - X - 1

"L" LENGTH IN MM  
 eg: 100MM = 0100  
 (MIN. 0050-MAX.0400)  
 STANDARD = 0100, 0150, 0200  
 Tolerance: 50-200mm: ±5mm.  
 201-400mm: ±7mm.

WASHER AND NUT OPTIONS:  
 BLANK = SEPERATELY PACKED (STANDARD)  
 A = ASSEMBLED WITH CONNECTOR

ORIENTATION OPTIONS:  
 BLANK = DOES NOT HAVE A FIXED ORIENTATION  
 F1 = MHF CONNECTION DOWN (L=50-200MM)  
 F2 = MHF CONNECTION UP (L=50-200MM)  
 F3 = MHF CONNECTION AND D FLAT SAME ORIENTATION (L=50-200MM)  
 F4 = MHF CONNECTION AND D FLAT OPPOSITE ORIENTATION (L=50-200MM)  
 (SEE NOTES 1, 2, 3 AND DIAGRAMS FOR MORE INFORMATION)



RECOMMENDED SMA MOUNTING HOLE

REV. DATE & DRN  
 1.0 01/06/21 - NYW RELEASE  
 1.1 09/08/21 - NYW  
 UPDATE SMA P/N & HEATSHRINK TUBE COLOR

Scale: NTS	THIRD ANGLE	Unstated: X, .XX, .XXX, ANGLES	Tolerances: N/A, N/A, N/A, N/A	Material: SEE NOTE
Drawn: NYW		Title: CABLE ASSEMBLY		NOT TO SCALE
App'd: XXX	Revision: 1.1	Unit: mm		

© THIS DRAWING IS CONFIDENTIAL AND MUST NOT BE COPIED OR DISCLOSED WITHOUT WRITTEN CONSENT

Drawing Number: CAB476RF	
Sheet 1	of 1
Drawing ©	E and O E

# Mouser Electronics

Authorized Distributor

Click to View Pricing, Inventory, Delivery & Lifecycle Information:

[Global Connector Technology \(GCT\):](#)

[CAB476RF-0100-F1-A-1](#) [CAB476RF-0200-F1-A-1](#)