



CAB475RF: I-PEX MHF I LK + RP SMA STRAIGHT BULKHEAD JACK WITH O-RING + ϕ 1.37MM CABLE, 8GHz

SPECIFICATIONS

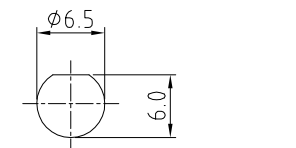
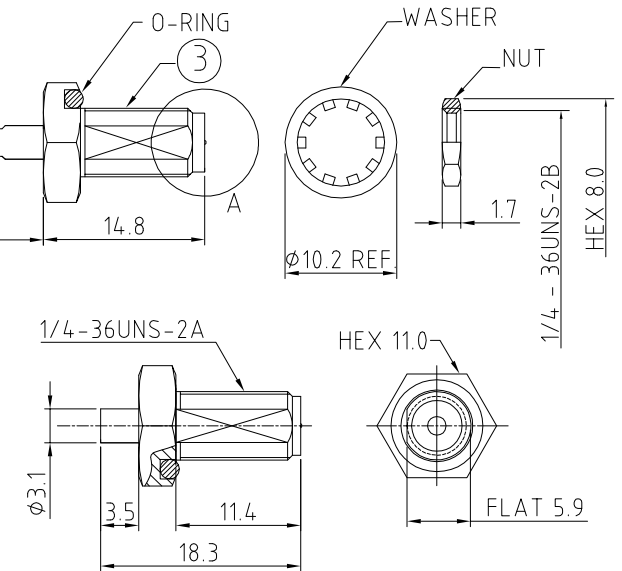
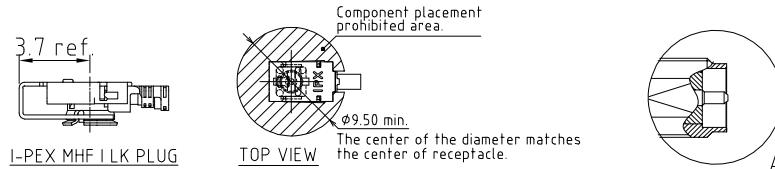
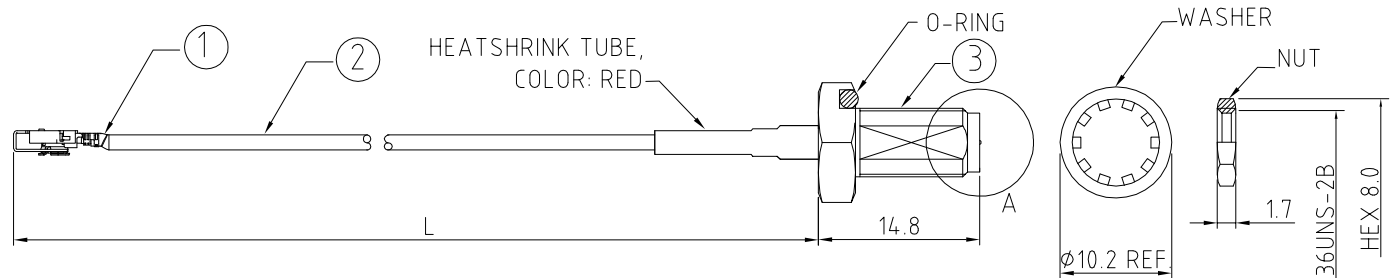
1. I-PEX MHF I LK PLUG, P/N: 20670-001R-37+3376-000.
2. ϕ 1.37MM COAXIAL CABLE, COLOR: BLACK.
3. RP SMA STRAIGHT BULKHEAD WITH O-RING, GOLD. P/N: RFCT-SMA092-F37.

NOTES:

1. THE ORIENTATION OF CONNECTORS ON DRAWING IS FOR REFERENCE ONLY, IF THE ORDER IS LEFT BLANK THE CONNECTOR WILL NOT HAVE FIXED ORIENTATION.
2. FIXED ORIENTATION IS SUGGESTED FOR CABLE LENGTH 31MM TO 100MM. PLEASE SPECIFY THE FIXED ORIENTATIONS FROM THE ORDER CODE (F1, F2, ETC)
3. CONTACT GRAD CONN IF THE ORIENTATION YOU REQUIRE IS NOT SHOWN.
4. WORKING FREQUENCY RANGE: DC-8GHz
5. OPERATING TEMPERATURE: -40°C TO + 85°C
6. IMPEDANCE: 50 OHM

USAGE PRECAUTIONS: CABLES USING 'MICRO' COAX ARE DELICATE:

- (i) HANDLE WITH CARE.
- (ii) DO NOT TWIST; APPLY EXCESSIVE FORCES OR SHARP BENDS TO THE CABLE. DO NOT FORCEFULLY DEFORM WIRES.
- (iii) CONSULT CONNECTOR MANUFACTURER'S DATASHEETS FOR DETAILED NOTES ON HANDLING INSTRUCTIONS.



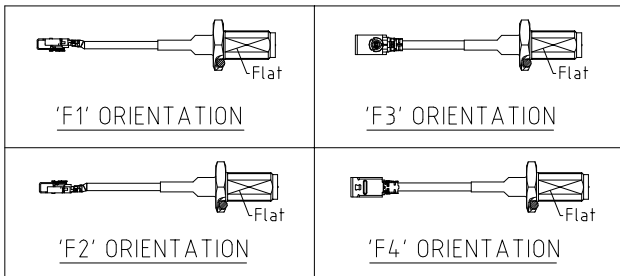
HOW TO ORDER

CAB475RF - X X X X - X X - X - 1

"L" LENGTH IN MM
 eg: 100MM = 0100
 (MIN. 0050-MAX.0400
 STANDARD = 0100, 0150, 0200)
 Tolerance: 50-200mm: \pm 5mm.
 201-400mm: \pm 7mm.

WASHER AND NUT OPTIONS:
 BLANK = SEPERATELY PACKED (STANDARD)
 A = ASSEMBLED WITH CONNECTOR

ORIENTATION OPTIONS:
 BLANK = DOES NOT HAVE A FIXED ORIENTATION
 F1 = MHF CONNECTION DOWN (L=50-200MM)
 F2 = MHF CONNECTION UP (L=50-200MM)
 F3 = MHF CONNECTION AND D FLAT SAME ORIENTATION (L=50-200MM)
 F4 = MHF CONNECTION AND D FLAT OPPOSITE ORIENTATION (L=50-200MM)
 (SEE NOTES 1, 2, 3 AND DIAGRAMS FOR MORE INFORMATION)



REV. DATE & DRN
 1.0 01/06/21 - NYW RELEASE
 1.1 09/08/21 - NYW
 UPDATE SMA P/N & HEATSHRINK TUBE COLOR.

| | | | | |
|------------------|-----------------------|--|---|----------------------|
| Scale: NTS | THIRD ANGLE | Unstated X .XX .XXX ANGLES | Tolerances: N/A N/A N/A N/A | Material SEE NOTE |
| Drawn: NYW | | | | |
| App'd: XXX | Title: CABLE ASSEMBLY | NOT TO SCALE | | |
| Date: 9 AUG. '21 | Revision: 1.1 | Unit: mm | | |

© THIS DRAWING IS CONFIDENTIAL AND MUST NOT BE COPIED OR DISCLOSED WITHOUT WRITTEN CONSENT

| | |
|-----------------------------|-----------|
| Drawing Number: CAB475RF | |
| Sheet 1 | of 1 |
| Drawing © | E and O E |

Mouser Electronics

Authorized Distributor

Click to View Pricing, Inventory, Delivery & Lifecycle Information:

[Global Connector Technology \(GCT\):](#)

[CAB475RF-0100-F1-A-1](#) [CAB475RF-0200-F1-A-1](#)