



CAB473RF: I-PEX MHF 4L LK + SMA STRAIGHT BULKHEAD JACK WITH O-RING + Ø1.37MM CABLE, 8GHz

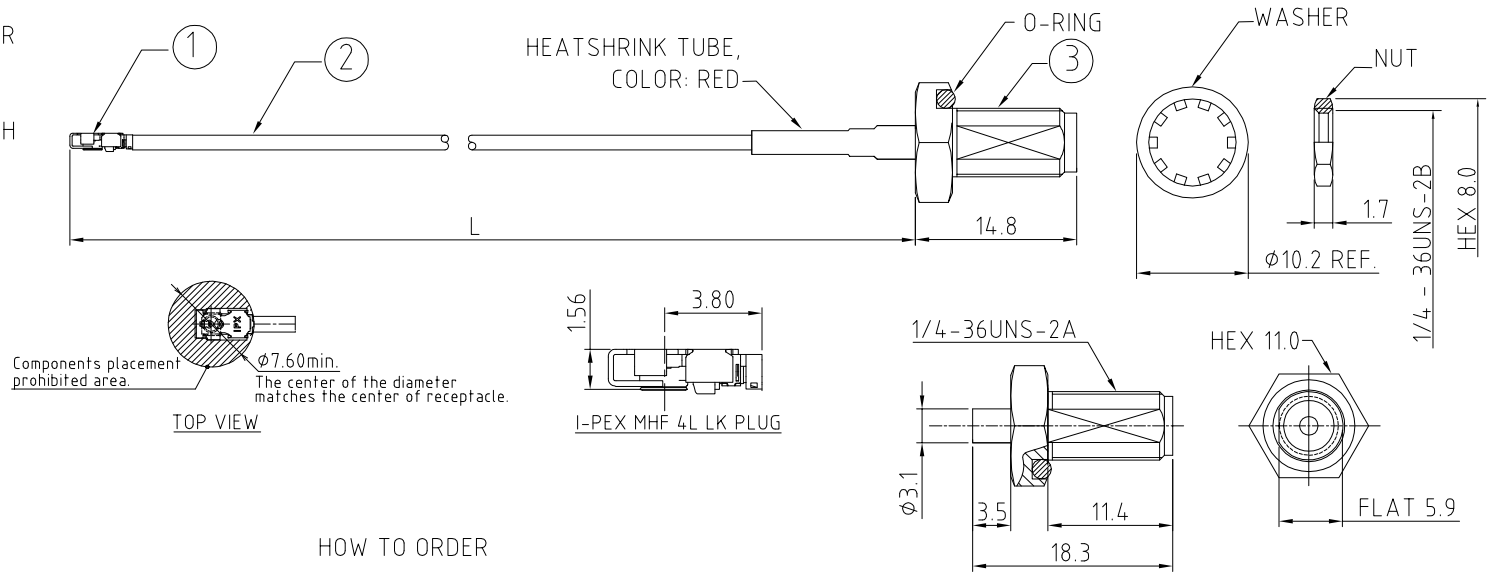
SPECIFICATIONS

1. I-PEX MHF 4L LK PLUG, P/N: 20632-001R-37 + 3615-000.
2. Ø1.37MM COAXIAL CABLE, COLOR: BLACK.
3. SMA STRAIGHT BULKHEAD WITH O-RING, GOLD. P/N: RFCT-SMA091-F37.

USAGE PRECAUTIONS: CABLES USING 'MICRO' COAX ARE DELICATE:
 (i) HANDLE WITH CARE.
 (ii) DO NOT TWIST; APPLY EXCESSIVE FORCES OR SHARP BENDS TO THE CABLE. DO NOT FORCEFULLY DEFORM WIRES.
 (iii) CONSULT CONNECTOR MANUFACTURER'S DATASHEETS FOR DETAILED NOTES ON HANDLING INSTRUCTIONS.

NOTES:

1. THE ORIENTATION OF CONNECTORS ON DRAWING IS FOR REFERENCE ONLY, IF THE ORDER IS LEFT BLANK THE CONNECTOR WILL NOT HAVE FIXED ORIENTATION.
2. FIXED ORIENTATION IS SUGGESTED FOR CABLE LENGTH 31MM TO 100MM. PLEASE SPECIFY THE FIXED ORIENTATIONS FROM THE ORDER CODE (F1, F2, ETC)
3. CONTACT GRAD CONN IF THE ORIENTATION YOU REQUIRE IS NOT SHOWN.
4. WORKING FREQUENCY RANGE: DC-8GHz
5. OPERATING TEMPERATURE: -40°C TO + 85°C
6. IMPEDANCE: 50 OHM



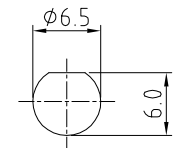
HOW TO ORDER
 CAB473RF - XXXX - XX - X - 1

"L" LENGTH IN MM
 eg: 100MM = 0100
 (MIN. 0050-MAX.0400)
 STANDARD = 0100, 0150, 0200
 Tolerance: 50-200mm: ±5mm.
 201-400mm: ±7mm.

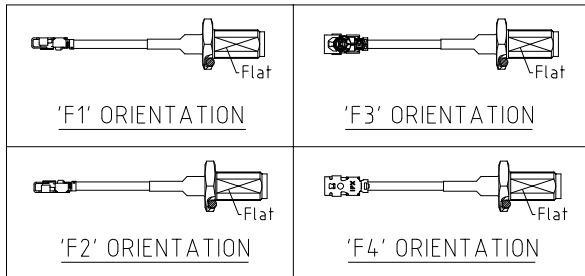
WASHER AND NUT OPTIONS:
 BLANK = SEPERATELY PACKED (STANDARD)
 A = ASSEMBLED WITH CONNECTOR

ORIENTATION OPTIONS:
 BLANK = DOES NOT HAVE A FIXED ORIENTATION
 F1 = MHF CONNECTION DOWN (L=50-200MM)
 F2 = MHF CONNECTION UP (L=50-200MM)
 F3 = MHF CONNECTION AND D FLAT SAME ORIENTATION (L=50-200MM)
 F4 = MHF CONNECTION AND D FLAT OPPOSITE ORIENTATION (L=50-200MM)
 (SEE NOTES 1, 2, 3 AND DIAGRAMS FOR MORE INFORMATION)

SMA JACK DETAIL DIMENSION



RECOMMENDED SMA MOUNTING HOLE



REV. DATE & DRN
 10 01/06/21 - NYW RELEASE
 11 09/08/21 - NYW
 UPDATE SMA P/N & HEATSHRINK TUBE COLOR.

Scale: NTS	THIRD ANGLE	Unstated X .XX .XXX ANGLES	Tolerances: N/A N/A N/A N/A	Material SEE NOTE
Drawn: NYW				
App'd: XXX	Title: CABLE ASSEMBLY	NOT TO SCALE		
Date: 9 AUG. '21	Revision: 1.1	Unit: mm		

© THIS DRAWING IS CONFIDENTIAL AND MUST NOT BE COPIED OR DISCLOSED WITHOUT WRITTEN CONSENT

Drawing Number: CAB473RF	
Sheet 1	of 1
Drawing ©	E and O E

Mouser Electronics

Authorized Distributor

Click to View Pricing, Inventory, Delivery & Lifecycle Information:

[Global Connector Technology \(GCT\):](#)

[CAB473RF-0200-F1-A-1](#) [CAB473RF-0100-F1-A-1](#)