

CAB472RF: I-PEX MHF 4L + SMA STRAIGHT BULKHEAD JACK WITH O-RING + MULTIPLE CABLE SIZES, 8GHz

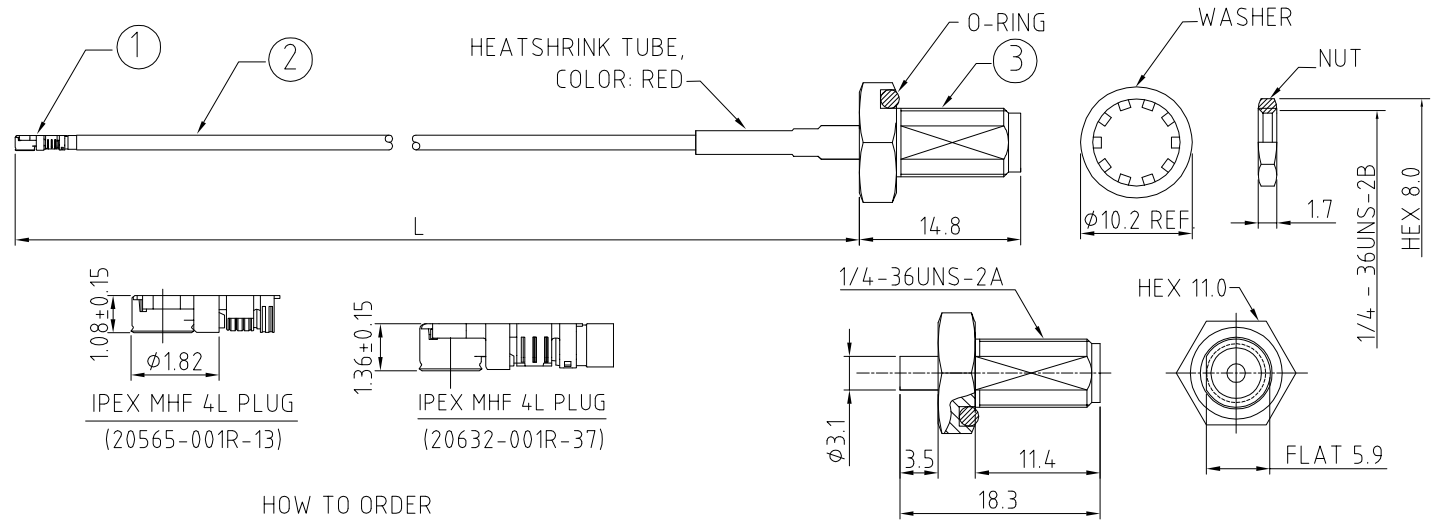
SPECIFICATIONS

1. I-PEX MHF 4L PLUG, P/N:
FOR $\phi 1.37\text{MM}$ LL CABLE: 20632-001R-37.
FOR $\phi 1.13\text{MM}$ CABLE: 20565-001R-13.
2. COAXIAL CABLE, SEE P/N OPTIONS FOR DETAIL.
3. SMA STRAIGHT BULKHEAD WITH O-RING, GOLD. P/N:
FOR $\phi 1.37\text{MM}$ LL CABLE: RFCT-SMA091-F37.
FOR $\phi 1.13\text{MM}$ CABLE: RFCT-SMA091-F13.

USAGE PRECAUTIONS: CABLES USING 'MICRO' COAX ARE DELICATE:
 (i) HANDLE WITH CARE.
 (ii) DO NOT TWIST; APPLY EXCESSIVE FORCES OR SHARP BENDS TO THE CABLE. DO NOT FORCEFULLY DEFORM WIRES.
 (iii) CONSULT CONNECTOR MANUFACTURER'S DATASHEETS FOR DETAILED NOTES ON HANDLING INSTRUCTIONS.

NOTES:

1. THE ORIENTATION OF CONNECTORS ON DRAWING IS FOR REFERENCE ONLY, IF THE ORDER IS LEFT BLANK THE CONNECTOR WILL NOT HAVE FIXED ORIENTATION.
2. FIXED ORIENTATION IS SUGGESTED FOR CABLE LENGTH 50MM TO 100MM. PLEASE SPECIFY THE FIXED ORIENTATIONS FROM THE ORDER CODE (F1, F2, ETC)
3. CONTACT GRAD CONN IF THE ORIENTATION YOU REQUIRE IS NOT SHOWN.
4. WORKING FREQUENCY RANGE: DC-8GHz
5. OPERATING TEMPERATURE: -40°C TO $+85^{\circ}\text{C}$
6. IMPEDANCE: 50 OHM



HOW TO ORDER

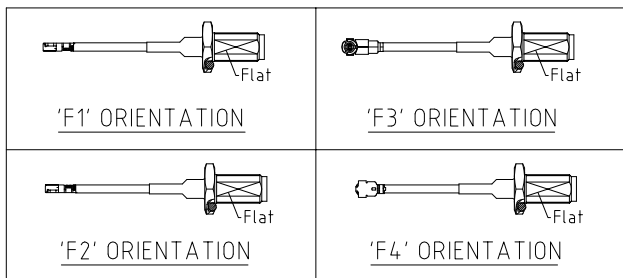
CAB472RF - X X X X - X X - X - X

"L" LENGTH IN MM
 eg: 100MM = 0100
 (MIN. 0050-MAX.0400)
 STANDARD = 0100, 0150, 0200
 Tolerance: 50-200mm: $\pm 5\text{mm}$.
 201-400mm: $\pm 7\text{mm}$.

CABLE SIZE OPTIONS:
 1 = $\phi 1.37\text{MM}$ LOW LOSS CABLE, COLOR: BLACK
 2 = $\phi 1.13\text{MM}$ CABLE, COLOR: GRAY

WASHER AND NUT OPTIONS:
 BLANK = SEPERATELY PACKED (STANDARD)
 A = ASSEMBLED WITH CONNECTOR

ORIENTATION OPTIONS:
 BLANK = DOES NOT HAVE A FIXED ORIENTATION
 F1 = MHF CONNECTION DOWN (L=50-200MM)
 F2 = MHF CONNECTION UP (L=50-200MM)
 F3 = MHF CONNECTION AND D FLAT SAME ORIENTATION (L=50-200MM)
 F4 = MHF CONNECTION AND D FLAT OPPOSITE ORIENTATION (L=50-200MM)
 (SEE NOTES 1, 2, 3 AND DIAGRAMS FOR MORE INFORMATION)



RECOMMENDED SMA MOUNTING HOLE

REV. DATE & DRN
 10 01/06/21 - NYW RELEASE
 11 09/08/21 - NYW UPDATE SMA P/N & HEATSHRINK TUBE COLOR
 12 16/07/22 - NYW ADD CABLE SIZE Z
 13 22/02/23 - NYW ADD E0632-001R-37 DRAWING

Scale: NTS	THIRD ANGLE	Unstated X .XX .XXX ANGLES	Tolerances: N/A N/A N/A N/A	Material: SEE NOTE
Drawn: NYW				
App'd: XXX	Title: CABLE ASSEMBLY	NOT TO SCALE		
Date: 22 FEB. '23	Revision: 13	Unit: mm		

www.gradconn.com

THIS DRAWING IS CONFIDENTIAL AND MUST NOT BE COPIED OR DISCLOSED WITHOUT WRITTEN CONSENT

Drawing Number: CAB472RF	
Sheet 1	of 1
Drawing ©	E and O E

Mouser Electronics

Authorized Distributor

Click to View Pricing, Inventory, Delivery & Lifecycle Information:

[Global Connector Technology \(GCT\):](#)

[CAB472RF-0100-F1-A-1](#) [CAB472RF-0200-F1-A-1](#)