

CAB412RF: I-PEX MHF PLUG + S/S SMA FEMALE STRAIGHT BULKHEAD JACK W/O-RING RATED TO IP68/69K + MULTIPLE CABLE SIZES

SPECIFICATIONS :

- I-PEX MHF PLUG, GOLD PLATED, P/N:  
FOR RG178 CABLE: 20278-112R-18.  
FOR  $\phi$ 1.13MM CABLE: 20278-112R-13.  
FOR  $\phi$ 1.32MM DS CABLE: 20278-112R-32.
- COAXIAL CABLE, SEE P/N OPTIONS FOR DETAIL.
- SMA STRAIGHT BULKHEAD JACK W/O-RING, W/SUS303 STAINLESS STEEL BODY, TESTED TO IP68/69K, P/N: RFCT-SMA061-F78 (WITH SILICON O-RING) OR RFCT-SMA061-F78-1 (WITH EPDM O-RING).

ENVIRONMENTAL:

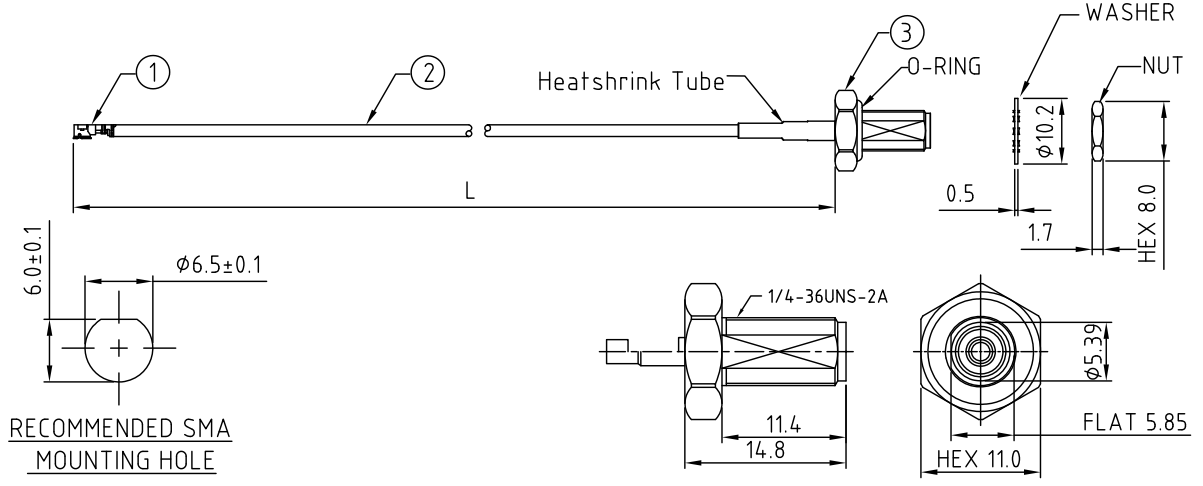
- BULKHEAD MOUNTED CONNECTOR (RFCT-SMA061-F78) TESTED TO THE FOLLOWING SPECIFICATION:
  - IP6X - DUST TIGHT - NO PARTICLE INGRESS.
  - IPX8 WATERPROOF FOR 48 HOURS AT 1 METER UNDERWATER.
  - IPX9K WATER SPRAY, 14-16L PER MINUTE, AT 8,000-10,000 KPA, AT 100-150MM DISTANCE FOR 30 SECONDS.

NOTES:

- THE ORIENTATION OF CONNECTORS ON DRAWING IS FOR REFERENCE ONLY, IF THE ORDER IS LEFT BLANK THE CONNECTOR WILL NOT HAVE FIXED ORIENTATION.
- FIXED ORIENTATION IS SUGGESTED FOR CABLE LENGTH 25MM TO 100MM. PLEASE SPECIFY THE FIXED ORIENTATIONS FROM THE ORDER CODE (F1, F2, ETC)
- CONTACT GRADCONN IF THE ORIENTATION YOU REQUIRE IS NOT SHOWN.
- WORKING FREQUENCY RANGE: DC-3GHz.
- OPERATING TEMPERATURE: -40°C TO +85°C
- IMPEDANCE: 50 OHM
- IF THE CONNECTOR IS USED IN A CORROSIVE ENVIRONMENT, WE RECOMMEND THE CONNECTOR FACE IS PROTECTED WITH A STAINLESS STEEL DUST CAP.
- PLEASE USE THE RECOMMENDED TORQUE FORCES FOR STAINLESS STEEL CONNECTORS. THIS IS PUBLISHED ON GRADCONN.COM RESOURCES PAGE.

USAGE PRECAUTIONS: CABLES USING 'MICRO' COAX ARE DELICATE:

- HANDLE WITH CARE.
- DO NOT TWIST; APPLY EXCESSIVE FORCES OR SHARP BENDS TO THE CABLE. DO NOT FORCEFULLY DEFORM WIRES.
- CONSULT CONNECTOR MANUFACTURER'S DATASHEETS FOR DETAILED NOTES ON HANDLING INSTRUCTIONS.



RECOMMENDED SMA MOUNTING HOLE

HOW TO ORDER  
CAB412RF - X X X X - X X - X - X - X

SMA JACK DETAIL DRAWING

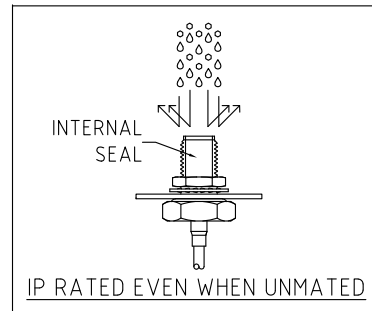
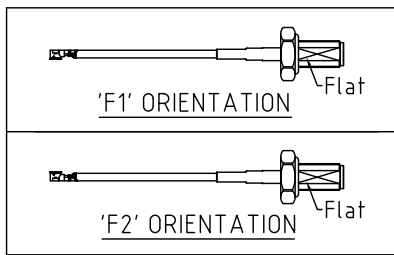
"L" LENGTH IN MM:  
eg: 100MM = 0100  
(MIN. 0050-MAX.0400)  
STANDARD = 0100, 0150, 0200  
Tolerance: 50mm: ±2mm.  
51-200mm: ±5mm.  
201-400mm: ±7mm.

CABLE SIZE OPTIONS:  
1 = RG178 CABLE, COLOR: BROWN.  
2 =  $\phi$ 1.13MM CABLE, COLOR: GRAY.  
3 =  $\phi$ 1.32MM DS CABLE, COLOR: GRAY.

O-RING MATERIAL OPTIONS:  
S = SILICONE, RED  
E = EPDM, BLACK (STANDARD)

WASHER AND NUT OPTIONS:  
BLANK = SEPARATELY PACKED (STANDARD)  
A = ALL ASSEMBLED WITH CONNECTOR

ORIENTATION OPTIONS:  
BLANK = DOES NOT HAVE A FIXED ORIENTATION  
F1 = MHF CONNECTION DOWN (L=50-200MM)  
F2 = MHF CONNECTION UP (L=50-200MM)  
(SEE NOTES 1, 2, 3 AND DIAGRAMS FOR MORE INFORMATION)



|   |
|---|
| REV. DATE & DRN                             |
| 11 30/06/20 - NYW RELEASE TO 22/06/20 - NYW |
| 12 30/06/20 - NYW REWORKING CODES           |
| 13 28/09/20 - NYW UPDATE P/N NUMBERING      |
| 14 23/11/20 - NYW ADD IPX9K TESTING INFO.   |
| 15 05/01/21 - NYW AMEND NOTE 7.             |
| 16 15/01/21 - NYW ADD CABLE SIZE OPTION 2.  |
| 17 02/02/21 - NYW ADD NOTE 8.               |
| 18 06/06/23 - NYW ADD CABLE SIZE OPTION 3.  |
| 19 20/01/24 - CC ADD IP RATING VIEW         |

|                   |                      |   |
|-------------------|----------------------|---|
| Scale: NTS        | THIRD ANGLE          | Unstated Tolerances:                        |
| Drawn: CC         |                      | .X N/A<br>.XX N/A<br>.XXX N/A<br>ANGLES N/A |
| App'd: XXX        | Title CABLE ASSEMBLY |   |
| Date: 20 JAN. '24 | Revision: 1.9        | Unit: mm                                    |

IP Rated RF Products

www.gradconn.com

© THIS DRAWING IS CONFIDENTIAL AND MUST NOT BE COPIED OR DISCLOSED WITHOUT WRITTEN CONSENT

|                     |
|---------------------|
| Drawing Number:     |
| CAB412RF            |
| Sheet 1 of 1        |
| Drawing © E and O E |

# Mouser Electronics

Authorized Distributor

Click to View Pricing, Inventory, Delivery & Lifecycle Information:

[Global Connector Technology \(GCT\):](#)

[CAB412RF-0100-A-1-E](#) [CAB412RF-0200-A-1-S](#) [CAB412RF-0200-A-1-E](#)