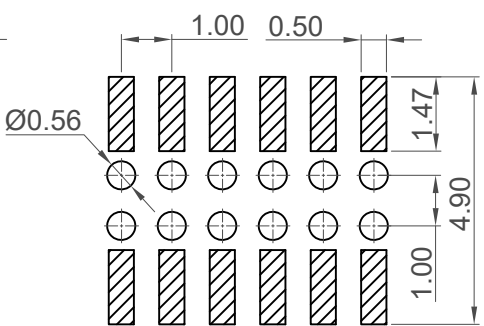
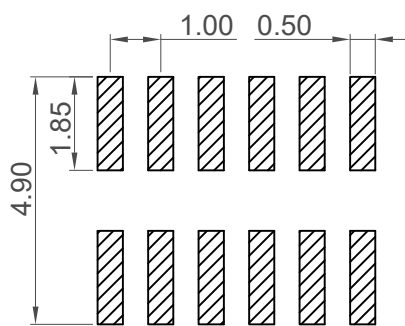
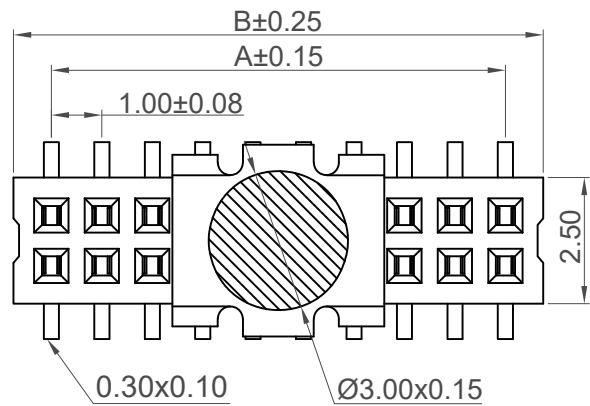
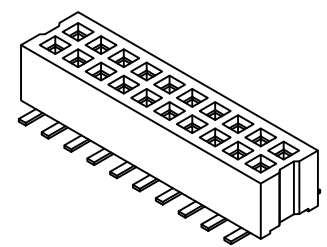
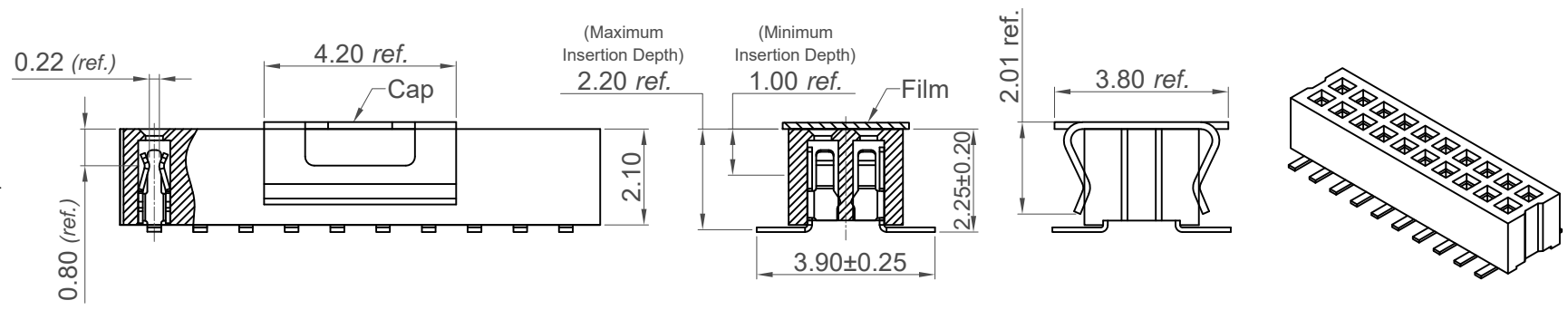


H
G
F
E
D
C
B
A



Recommended PCB Layout
For Top Entry
General Tolerance: ±0.05
Solder Area

Recommended PCB Layout
For Bottom Entry
General Tolerance: ±0.05
Solder Area



No. of Contacts	Dimensions	
	A	B
4	1.00	2.50
6	2.00	3.50
8	3.00	4.50
10	4.00	5.50
12	5.00	6.50
14	6.00	7.50
16	7.00	8.50
18	8.00	9.50
20	9.00	10.50
22	10.00	11.50
24	11.00	12.50
26	12.00	13.50
28	13.00	14.50
30	14.00	15.50
32	15.00	16.50
34	16.00	17.50
36	17.00	18.50
38	18.00	19.50
40	19.00	20.50
42	20.00	21.50
44	21.00	22.50
46	22.00	23.50
48	23.00	24.50
50	24.00	25.50
52	25.00	26.50
54	26.00	27.50
56	27.00	28.50
58	28.00	29.50
60	29.00	30.50
62	30.00	31.50
64	31.00	32.50
66	32.00	33.50
68	33.00	34.50
70	34.00	35.50
72	35.00	36.50
74	36.00	37.50
76	37.00	38.50
78	38.00	39.50
80	39.00	40.50

Ordering Grid
BC085 - **XX** - **X** - **0390** - **L** - **X** Request Samples and Quotation

- No. of Contacts: 04 to 80
- Contact Plating: **A = Gold Flash All Over (Standard)**, C = Tin All Over
- Footprint Width (1/100mm): 0390 = 3.90mm
- Packing Options: **C = Tape and Reel with Film (Standard)**, B = Tape and Reel with Cap, D = Tube, E = Tube with Cap (Unavailable for 4 / 6 contacts), F = Tube with Film (Unavailable for 4 contacts)
- Insulator Material: **L = LCP (Standard)**

Specifications

Material
 Insulator: LCP, UL94V-0, Black
 Contact: Phosphor Bronze

Plating
 See ordering grid

Electrical
 Current Rating: 1A per contact
 Contact Resistance: 40 mΩ max.
 Insulating Resistance: 500 MΩ min.
 Dielectric Withstand Voltage: 200V AC

Mechanical & Environmental
 Operating Temperature: -40°C to +105°C
 Soldering Process:
 IR Reflow: 260°C for 10 sec.
 Manual Solder: 350°C for 3-5 sec

Mates with (subject to pin length):
 BC035 BC036 BC040 BC045
 BC050 BC055 BC057

Part Number BC085		Product Description 1.00mm Pitch Socket, Dual Entry Dual Row, Surface Mount, Vertical	
Drawing Date 20th May 2008			
By	CC	Tolerances (Except as Noted)	Units: Metric (mm)
Detail	BC085 F PCN	Length: X. ± 0.30 Angle: X.X ± 0.25	X.° ± 5° X.X° ± 2°
Revision	F5	X.XX ± 0.15	X.XX° ± 1°
Date	24/11/23	X.XXX ± 0.10	X.XXX° ± 0.5°



This drawing is confidential and copyright of Global Connector Technology, Ltd (GCT). This drawing must not be copied or disclosed without written consent. E & OE



Not to Scale	Drawn By AJO	Sheet No. 1/1
--------------	-----------------	------------------

Mouser Electronics

Authorized Distributor

Click to View Pricing, Inventory, Delivery & Lifecycle Information:

[GCT:](#)

[BC085-08-A-0390-L-D](#)