

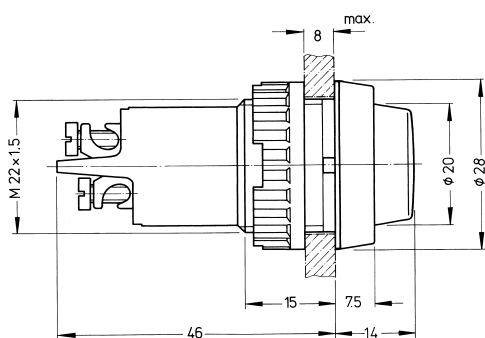
Lens form 1 for filament/neon lamps, green**5.00.350.726/1502****General information**

| | |
|---------------|-------------------|
| Color of lens | transparent green |
|---------------|-------------------|

Other specifications

| | |
|----------------|-----|
| ROHS compliant | yes |
|----------------|-----|

| | |
|-----------------|-----|
| REACH compliant | yes |
|-----------------|-----|



Mouser Electronics

Authorized Distributor

Click to View Pricing, Inventory, Delivery & Lifecycle Information:

[RAFI:](#)

[5.00.350.726/1502](#)