

RAFIX 22 FS⁺ - Signal indicator, round collar, high version
1.74.508.011/2600

General information

Form of lens	flat lens
Color of lens	translucent blue
Form of collar	round

Dimensions

Length of collar	acc. to potentiometer mm
Mounting depth	PCB 9.2 mm, QC 27 mm
Mounting hole	22.3 mm
Key grid	30 x 30 mm

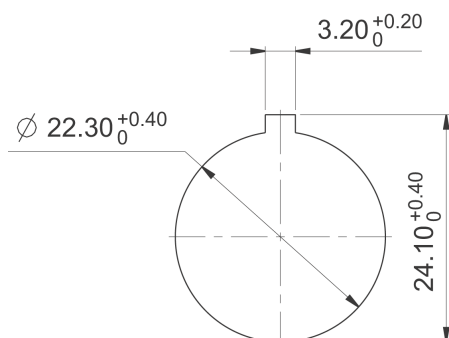
Mechanical design

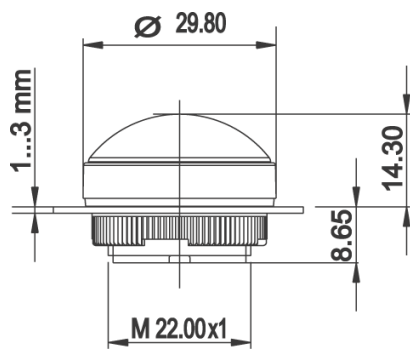
Mounting	ring nut
Illuminability	yes
Torque for nut ring	1.2 Nm

Other specifications

Degree of protection from front side	IP65 (DIN EN 60529)
Ambient temp. operating min.	-25 °C
Ambient temp. operating max.	+70 °C
Storage temperature min.	-40 °C
Storage temperature max.	+80 °C
Environmental resistance	acc. to IEC 60068-2-14, -30, -33 and -78
Salt spray	IEC 600 68-2-11
ROHS compliant	yes
REACH compliant	yes

Panel cut-out to IEC 60947-5-1





Mouser Electronics

Authorized Distributor

Click to View Pricing, Inventory, Delivery & Lifecycle Information:

[RAFI:](#)

[1.74.508.011/2600](#)