

RAFIX 22 QR - Lamp socket assembly, spring-type terminals, with coupling

1.71.214.001/0000



Dimensions

Dimensions with coupling	39.5 x 49.9 x 30 mm
Mounting depth without cable	56.4 mm

Mechanical design

Mounting	snap on coupling and actuator
Diode and resistor	no
Terminals	spring type
Terminal marking	X1 = anode, X2 = cathode

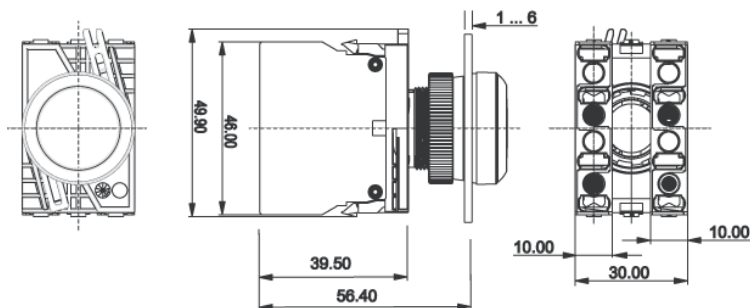
Lamp characteristics

Lamp socket	BA 9 s
Operating voltage AC/DC	6 ... 250 V
Lamp power max.	2 W
Lamp voltage	6 ... 250 V

Other specifications

Approvals	ENEC 10/15; ULc
Robustness	acc. to IEC 60947-5-5
Shock resistance acc. to IEC 60068-2-27	50 g at 11 ms, amplitude half sinusoidal
Resistance to vibrations acc. to IEC 60068-2-6	10 g at 40 ... 500 Hz
Environmental resistance	acc. to IEC 60068-2-14, -30, -33 and -78
Storage temperature min.	-40 °C
Ambient temp. operating min.	-25 °C
Ambient temp. operating max.	+70 °C
Storage temperature max.	+80 °C
Hot wire ignition acc. to IEC 60695-2-1	yes
ROHS compliant	yes
REACH compliant	yes

with contact block



Mouser Electronics

Authorized Distributor

Click to View Pricing, Inventory, Delivery & Lifecycle Information:

[RAFI:](#)

[1.71.214.001/0000](#)