

RAFIX 16 - Signal indicator, square collar, alignable without gaps, protruding lens
1.65.124.501/1505



General information

Form of lens	protruding lens
Color of lens	transparent green
Form of collar	square alignable

Dimensions

Overall height	9.95 mm
Mounting depth	30.5 / 44.7 mm
Mounting hole	16.2 mm
Key grid	25 x 25 mm

Mechanical design

Mounting	ring nut
Illumination	yes

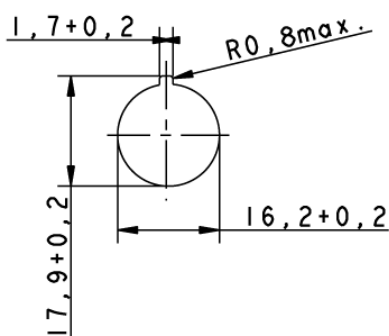
Mechanical characteristics

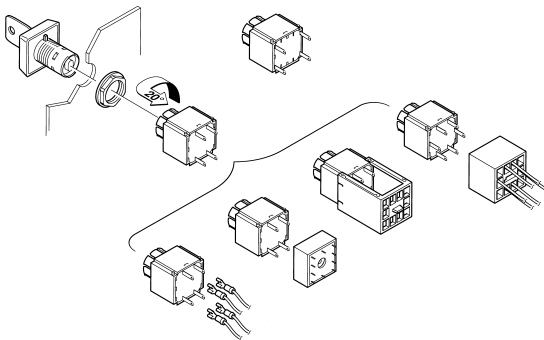
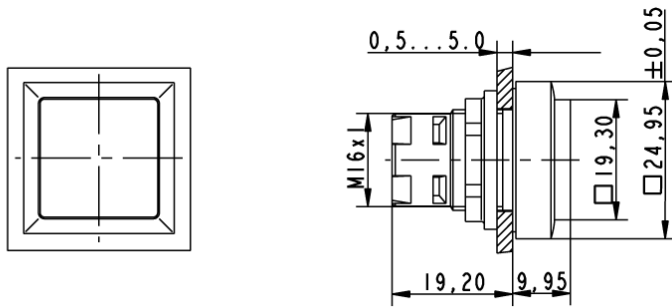
Robustness max.	100 N
-----------------	-------

Other specifications

Degree of protection from front side	IP65 (DIN EN 60529)
Operation temperature min.	-25 °C
Ambient temp. operating max. without lamp / LED	+70 °C
Ambient temp. operating max. with lamp /LED	+55 °C
Storage temperature min.	-40 °C
Storage temperature max.	+85 °C
Environmental resistance	acc. to IEC 60068-2-14, -30, -33 and -78
ROHS compliant	yes
REACH compliant	yes

Panel cut-out





Mouser Electronics

Authorized Distributor

Click to View Pricing, Inventory, Delivery & Lifecycle Information:

[RAFI:](#)

[1.65.124.501/1505](#)