

RAFIX 22 FS⁺ - Selector switch, illuminated, round collar

1.30.272.026/2208

Other handle marking colors available on request.



General information

Actuator	handle
Marking of handle	translucent white
Color of front ring	silver-grey
Form of collar	round

Dimensions

Dimensions of collar	ø 29.8 mm
Overall height	22.24 mm
Mounting depth	PCB 9.2 mm, QC 27 mm
Mounting hole	22.3 mm
Key grid	30 x 30 mm
Diameter of collar	29.8 mm

Mechanical design

Mounting	ring nut
Contact function	momentary
Illuminability	yes
Rotating angle	2 x 40°
Torque for nut ring	1.2 Nm

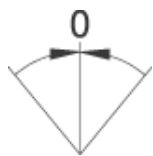
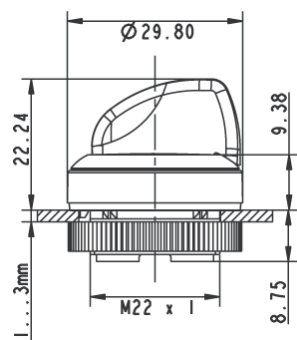
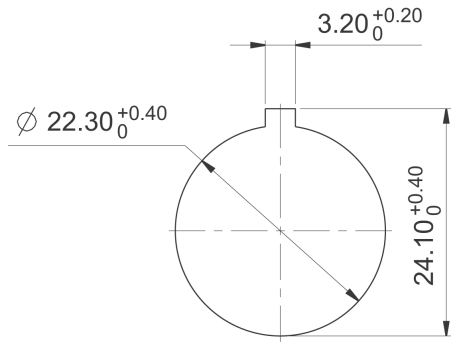
Mechanical characteristics

Torque max.	1.5 Nm
-------------	--------

Other specifications

Operating life (operations)	500,000 momentary / 300,000 latching cycle
Operating life (operations)	650,000 momentary / 400,000 latching cycle
Degree of protection from front side	IP65 (DIN EN 60529)
Ambient temp. operating min.	-25 °C
Ambient temp. operating max.	+70 °C
Storage temperature min.	-40 °C
Storage temperature max.	+80 °C
Environmental resistance	acc. to IEC 60068-2-14, -30, -33 and -78
Salt spray	IEC 600 68-2-11
ROHS compliant	yes
REACH compliant	yes

Panel cut-out to IEC 60947-5-1



Mouser Electronics

Authorized Distributor

Click to View Pricing, Inventory, Delivery & Lifecycle Information:

[RAFI:](#)

[1.30.272.026/2208](#)