

RAFIX 22 FS⁺ - Pushbutton, illuminated, flush lens, square collar, plastic front ring, latching
1.30.270.061/2508



General information

Form of lens	flat lens
Color of lens	translucent green
Color of front ring	silver-grey
Form of collar	square

Dimensions

Dimensions of collar	29.8 x 29.8 mm
Width of collar	29.8 mm
Overall height	9.85 mm
Mounting depth	PCB 9.2 mm, QC 27 mm
Mounting hole	22.3 mm
Key grid	30 x 30 mm

Mechanical design

Mounting	ring nut
Contact function	latching
Illuminability	yes
Torque for nut ring	1.2 Nm

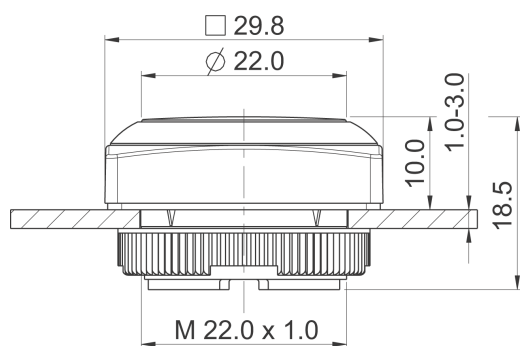
Mechanical characteristics

Operating travel	4 mm
Robustness max.	100 N

Other specifications

Ambient temp. operating min.	-25 °C
Ambient temp. operating max.	+70 °C
Storage temperature min.	-40 °C
Storage temperature max.	+80 °C
Operating life	1,000,000 momentary / 500,000 latching cycle
B10	1,300,000 momentary / 650,000 latching cycle
Degree of protection from front side	IP65 (DIN EN 60529)
Environmental resistance	acc. to IEC 60068-2-14, -30, -33 and -78
Salt spray	IEC 600 68-2-11
ROHS compliant	yes
REACH compliant	yes

Panel cut-out to IEC 60947-5-1



Mouser Electronics

Authorized Distributor

Click to View Pricing, Inventory, Delivery & Lifecycle Information:

[RAFI:](#)

[1.30.270.061/2508](#)