

RAFIX 22 QR - Keylock switch, round collar**1.30.245.302/0000**

Included: Ring nut with claw.

**General information**

Actuator	Key
Color of front ring	silver metallic
Form of collar	round

Dimensions

Dimensions of collar	ø 29.8 mm
Overall height	30.6 mm
Mounting depth with contact block without cable	56.4 mm
Mounting hole	ø 22.3 mm
Mounting grid	50 x 30 mm

Mechanical design

Mounting	ring nut
Contact function	latching
Illumination	no
Lock	RONIS
Wafers	4
Lock type	455
Main key	no
Symmetric key	no
Rotating angle	1 x 90°, form V
Key removal position	0

Mechanical characteristics

Operating force max.	approx. 5 N for 1 switching element
Torque max.	2 Nm

Electrical characteristics

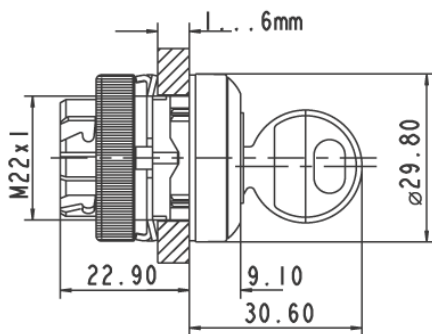
Protection class	II
------------------	----

Other specifications

Operating life (operations)	300,000 momentary / 50,000 latching cycle
Degree of protection from front side	IP65 (DIN EN 60529)
Ambient temp. operating min.	-25 °C
Ambient temp. operating max.	+70 °C
Storage temperature min.	-40 °C
Storage temperature max.	+80 °C
Environmental resistance	acc. to IEC 60068-2-14, -30, -33 and -78

ROHS compliant	yes
REACH compliant	yes

Panel cut-out to IEC 60947-5-1



Mouser Electronics

Authorized Distributor

Click to View Pricing, Inventory, Delivery & Lifecycle Information:

RAFI:

[1.30.245.302/0000](https://www.mouser.com/RFI/1.30.245.302/0000)