

RAFIX 22 QR - Selector switch, non-illuminated, square collar, short handle**1.30.242.676/0201**

Included: Ring nut with claw.



Other handle marking colors available on request.

A contact block in position 3 or 5/6 (centre) is actuated when turning in either direction.

General information

| | |
|---------------------|--------|
| Actuator | handle |
| Marking of handle | white |
| Color of front ring | black |
| Form of collar | square |

Dimensions

| | |
|---|----------------|
| Dimensions of collar | 29.8 x 29.8 mm |
| Overall height | 22.2 mm |
| Mounting depth with contact block without cable | 56.4 mm |
| Mounting hole | ø 22.3 mm |
| Mounting grid | 50 x 30 mm |

Mechanical design

| | |
|------------------|----------|
| Mounting | ring nut |
| Contact function | latching |
| Illumination | no |
| Rotating angle | 2 x 90° |

Mechanical characteristics

| | |
|----------------------|-------------------------------------|
| Operating force max. | approx. 5 N for 1 switching element |
| Torque max. | 2 Nm |

Electrical characteristics

| | |
|------------------|----|
| Protection class | II |
|------------------|----|

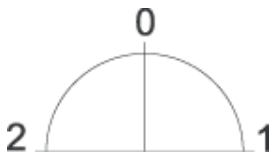
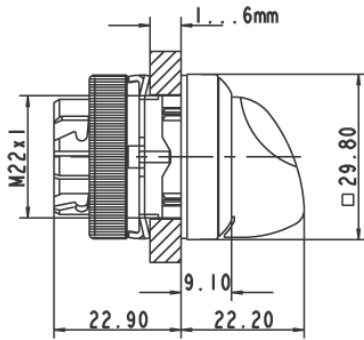
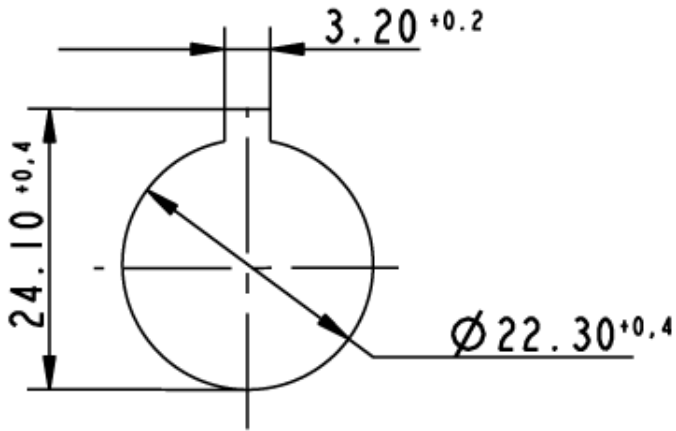
Other specifications

| | |
|--------------------------------------|--|
| Operating life (operations) | 500,000 cycle |
| Degree of protection from front side | IP65 (DIN EN 60529) |
| Ambient temp. operating min. | -25 °C |
| Ambient temp. operating max. | +70 °C |
| Storage temperature min. | -40 °C |
| Storage temperature max. | +80 °C |
| Environmental resistance | acc. to IEC 60068-2-14, -30, -33 and -78 |
| ROHS compliant | yes |

REACH compliant

yes

Panel cut-out to IEC 60947-5-1



Mouser Electronics

Authorized Distributor

Click to View Pricing, Inventory, Delivery & Lifecycle Information:

[RAFI:](#)

[1.30.242.676/0201](#)