

RAFIX 22 QR - Selector switch, illuminated, square collar, short handle**1.30.242.052/2200**

Included: Ring nut with claw.



Other handle marking colors available on request.

Other contact versions on request.

General information

Actuator	handle
Marking of handle	white
Color of front ring	silver metallic
Form of collar	square

Dimensions

Dimensions of collar	29.8 x 29.8 mm
Overall height	22.2 mm
Mounting depth with contact block without cable	56.4 mm
Mounting hole	ø 22.3 mm
Mounting grid	50 x 30 mm

Mechanical design

Mounting	ring nut
Contact function	momentary
Illumination	yes
Rotating angle	1 x 40°

Mechanical characteristics

Operating force max.	approx. 5 N for 1 switching element
Torque max.	2 Nm

Electrical characteristics

Protection class	II
------------------	----

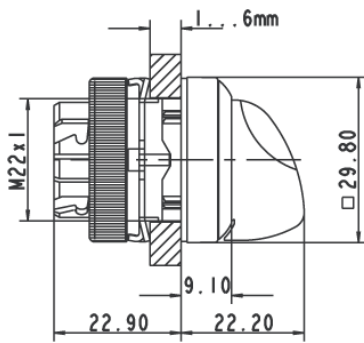
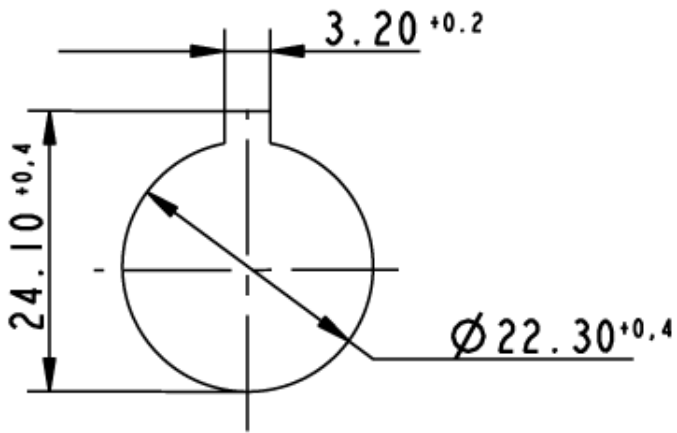
Other specifications

Operating life (operations)	500,000 cycle
Degree of protection from front side	IP65 (DIN EN 60529)
Ambient temp. operating min.	-25 °C
Ambient temp. operating max.	+70 °C
Storage temperature min.	-40 °C
Storage temperature max.	+80 °C
Environmental resistance	acc. to IEC 60068-2-14, -30, -33 and -78
ROHS compliant	yes

REACH compliant

yes

Panel cut-out to IEC 60947-5-1



Mouser Electronics

Authorized Distributor

Click to View Pricing, Inventory, Delivery & Lifecycle Information:

[RAFI:](#)

[1.30.242.052/2200](#)