

**RAFIX 22 QR - Selector switch, illuminated, round collar, short handle****1.30.242.001/2207**

Included: Ring nut with claw.



Other handle marking colors available on request.

**General information**

Actuator	handle
Marking of handle	white
Color of front ring	slate-grey
Form of collar	round

**Dimensions**

Dimensions of collar	ø 29.8 mm
Overall height	22.2 mm
Mounting depth with contact block without cable	56.4 mm
Mounting hole	ø 22.3 mm
Mounting grid	50 x 30 mm
Diameter of collar	29.8 mm

**Mechanical design**

Mounting	ring nut
Contact function	momentary
Illumination	yes
Rotating angle	1 x 40°

**Mechanical characteristics**

Operating force max.	approx. 5 N for 1 switching element
Torque max.	2 Nm

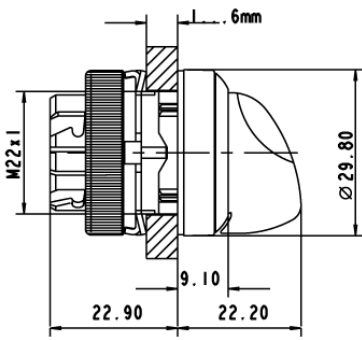
**Electrical characteristics**

Protection class	II
------------------	----

**Other specifications**

Operating life (operations)	500,000 cycle
Degree of protection from front side	IP65 (DIN EN 60529)
Ambient temp. operating min.	-25 °C
Ambient temp. operating max.	+70 °C
Storage temperature min.	-40 °C
Storage temperature max.	+80 °C
Environmental resistance	acc. to IEC 60068-2-14, -30, -33 and -78
ROHS compliant	yes
REACH compliant	yes

Panel cut-out to IEC 60947-5-1



# Mouser Electronics

Authorized Distributor

Click to View Pricing, Inventory, Delivery & Lifecycle Information:

[RAFI:](#)

[1.30.242.001/2207](#)