

**RAFIX 22 QR - Pushbutton, non-illuminated, protruding lens,
round collar, metal front ring, momentary**
1.30.240.321/0400



General information

Form of lens	protruding lens
Color of lens	opaque yellow
Color of front ring	silver metallic
Form of collar	round

Dimensions

Dimensions of collar	ø 29.8 mm
Overall height	12.45 mm
Mounting depth with contact block without cable	56.4 mm
Mounting hole	ø 22.3 mm
Mounting grid	50 x 30 mm

Mechanical design

Mounting	ring nut
Contact function	momentary
Illumination	no

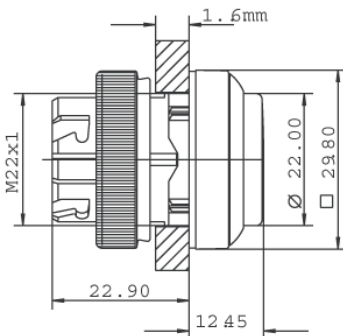
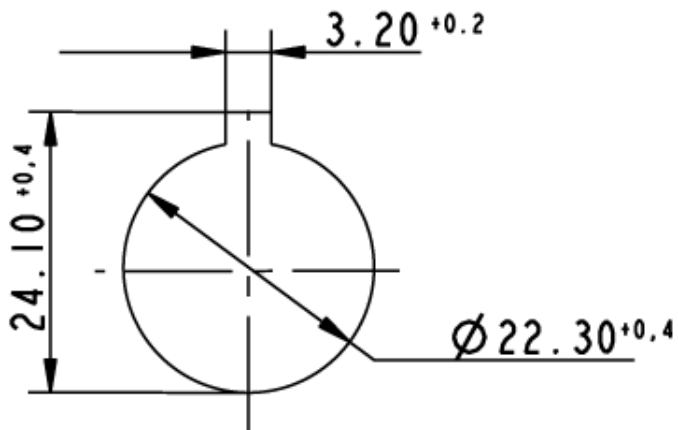
Mechanical characteristics

Operating travel	4 mm
Operating force max.	approx. 5 N for 1 switching element
Robustness max.	100 N

Other specifications

Operating life (operations)	1,000,000 momentary / 500,000 latching cycle
Degree of protection from front side	IP65 (DIN EN 60529)
Ambient temp. operating min.	-25 °C
Ambient temp. operating max.	+70 °C
Storage temperature min.	-40 °C
Storage temperature max.	+80 °C
Environmental resistance	acc. to IEC 60068-2-14, -30, -33 and -78
ROHS compliant	yes
REACH compliant	yes

Panel cut-out to IEC 60947-5-1



Mouser Electronics

Authorized Distributor

Click to View Pricing, Inventory, Delivery & Lifecycle Information:

[RAFI:](#)

[1.30.240.321/0400](#)