

RAFIX 22 QR - Pushbutton, non-illuminated, flush lens, round collar, plastic front ring, momentary
1.30.240.101/0205



General information

| | |
|---------------------|--------------|
| Form of lens | flat lens |
| Color of lens | opaque white |
| Color of front ring | green |
| Form of collar | round |

Dimensions

| | |
|---|------------|
| Dimensions of collar | ø 29.8 mm |
| Overall height | 9.4 mm |
| Mounting depth with contact block without cable | 56.4 mm |
| Mounting hole | ø 22.3 mm |
| Mounting grid | 50 x 30 mm |

Mechanical design

| | |
|------------------|-----------|
| Mounting | ring nut |
| Contact function | momentary |
| Illumination | no |

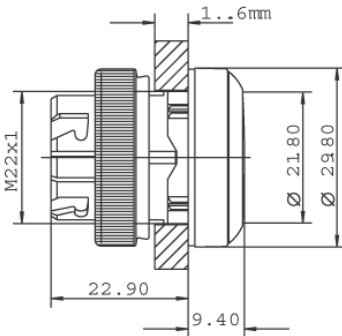
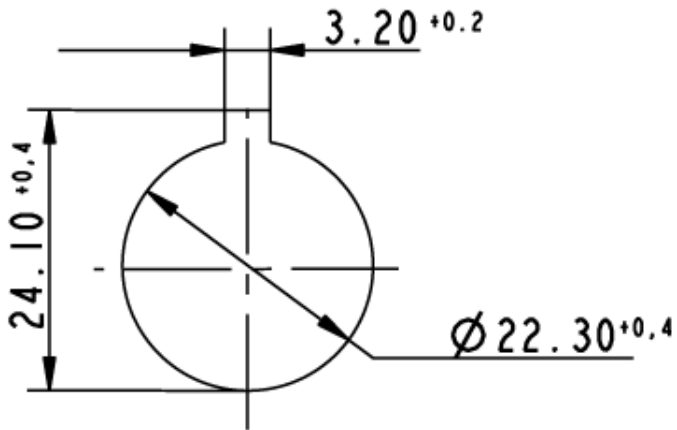
Mechanical characteristics

| | |
|----------------------|-------------------------------------|
| Operating travel | 4 mm |
| Operating force max. | approx. 5 N for 1 switching element |
| Robustness max. | 100 N |

Other specifications

| | |
|--------------------------------------|--|
| Operating life (operations) | 1,000,000 momentary / 500,000 latching cycle |
| Degree of protection from front side | IP65 (DIN EN 60529) |
| Ambient temp. operating min. | -25 °C |
| Ambient temp. operating max. | +70 °C |
| Storage temperature min. | -40 °C |
| Storage temperature max. | +80 °C |
| Environmental resistance | acc. to IEC 60068-2-14, -30, -33 and -78 |
| ROHS compliant | yes |
| REACH compliant | yes |

Panel cut-out to IEC 60947-5-1



Mouser Electronics

Authorized Distributor

Click to View Pricing, Inventory, Delivery & Lifecycle Information:

[RAFI:](#)

[1.30.240.101/0205](#)