

RAFIX 16 - Selector switch, square collar, non-illuminated, momentary

1.30.073.650/0200

Only use contact blocks with momentary function.



General information

Actuator	handle
Marking of handle	opaque white
Form of collar	square

Dimensions

Collar dimensions	24.95 x 24.95 mm
Collar dimensions	24.95 x 24.95 mm
Overall height	17.1 mm
Mounting depth	44.7 mm
Mounting hole	16.2 mm
Key grid	25 x 25 mm

Mechanical design

Mounting	ring nut
Contact function	momentary
Contact arrangement	according to contact block
Illumination	no
Rotating angle	2 x 40°

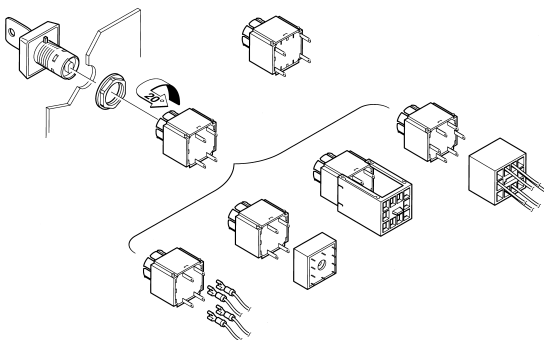
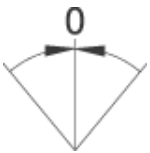
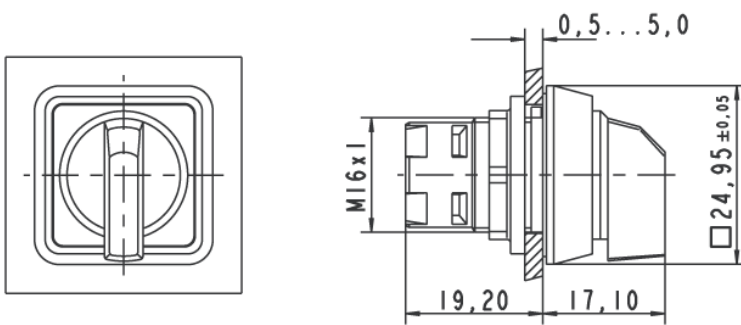
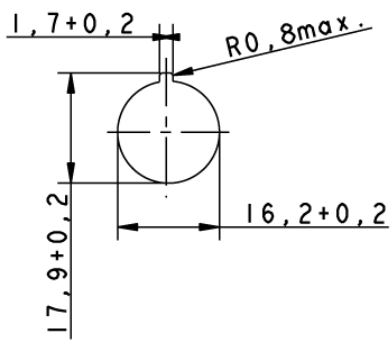
Mechanical characteristics

Torque max.	1.3 Nm
-------------	--------

Other specifications

Operating life (operations)	30,000 cycle
Degree of protection from front side	IP65 (DIN EN 60529)
Operation temperature min.	-25 °C
Ambient temp. operating max. without lamp / LED	+70 °C
Ambient temp. operating max. with lamp /LED	+55 °C
Storage temperature min.	-40 °C
Storage temperature max.	+85 °C
Environmental resistance	acc. to IEC 60068-2-14, -30, -33 and -78
ROHS compliant	yes
REACH compliant	yes

Panel cut-out



Mouser Electronics

Authorized Distributor

Click to View Pricing, Inventory, Delivery & Lifecycle Information:

RAFI:

[1.30.073.650/0200](https://www.mouser.com/RFI/1.30.073.650/0200)