

**RAFIX 16 - Pushbutton, illuminated, protruding collar, square collar****1.30.070.101/1403****General information**

Actuator	protruding collar
Color of lens	transparent yellow
Form of collar	square

**Dimensions**

Collar dimensions	24.95 x 24.95 mm
Collar dimensions	24.95 x 24.95 mm
Overall height	10.9 mm
Mounting depth	44.7 mm
Mounting hole	16.2 mm
Key grid	25 x 25 mm

**Mechanical design**

Mounting	ring nut, max. 1.2 Nm
Contact function	according to contact block
Contact arrangement	according to contact block
Illumination	yes

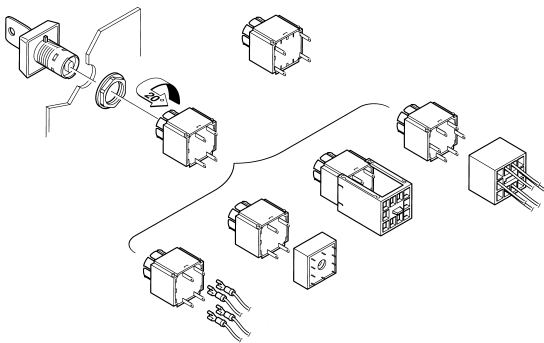
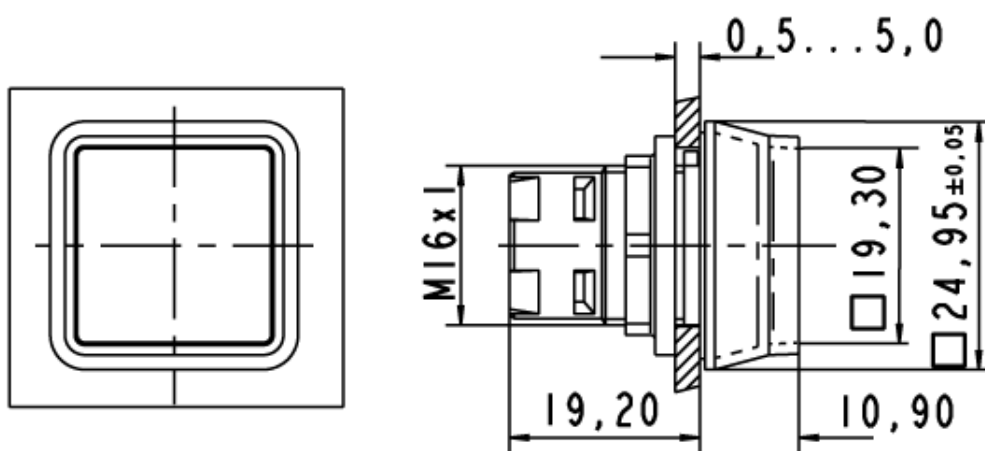
**Mechanical characteristics**

Operating travel	3 mm
Robustness max.	100 N

**Other specifications**

Operating life (operations)	2,000,000 cycle
Degree of protection from front side	IP65 (DIN EN 60529)
Operation temperature min.	-25 °C
Ambient temp. operating max. without lamp / LED	+70 °C
Ambient temp. operating max. with lamp /LED	+55 °C
Storage temperature min.	-40 °C
Storage temperature max.	+85 °C
Environmental resistance	acc. to IEC 60068-2-14, -30, -33 and -78
ROHS compliant	yes
REACH compliant	yes

## Panel cut-out



# Mouser Electronics

Authorized Distributor

Click to View Pricing, Inventory, Delivery & Lifecycle Information:

[RAFI:](#)

[1.30.070.101/1403](#)