

RAFIX 22 QR - Contact block with gold contacts, with coupling and lamp socket, spring-type terminals, 1 NO, 1 NC
1.20.125.125/0000



Dimensions

Dimensions with coupling	39.5 x 49.9 x 30 mm
Mounting depth without cable	56.4 mm

Mechanical design

Mounting	snap on coupling and actuator
Contact system	bridge-contact self cleaning
Contact materials	Au
Contact arrangement	1 NO, 1 NC
Coupling position 1 (1/2)	1 NO
Coupling position 2 (3/4)	1 NC
NC contact forcibly actuated acc. to IEC 60947-5-1	yes
Terminals	screw terminals
Terminal marking	color encoded
Robustness	100 N
Operating force	- N
Wire range solid wires without wire end sleeves	2 x 0.75 ... 2.5 mm ²
Wire range stranded wires without wire end sleeves	2 x 1.0 ... 1.5 mm ²
Stripping length, solid or stranded	8 mm
Wire range with wire end sleeves	2 x 0.75 ... 1.5 mm ²

Electrical characteristics

Operating voltage AC/DC	1 ... 35 V
Operating current AC/DC	0.01 ... 100 mA
Rated power max.	1 W (ohmic load)

Lamp characteristics

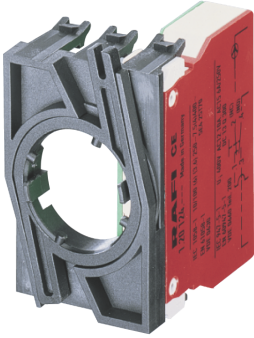
Lamp socket	BA 9 s
-------------	--------

Other specifications

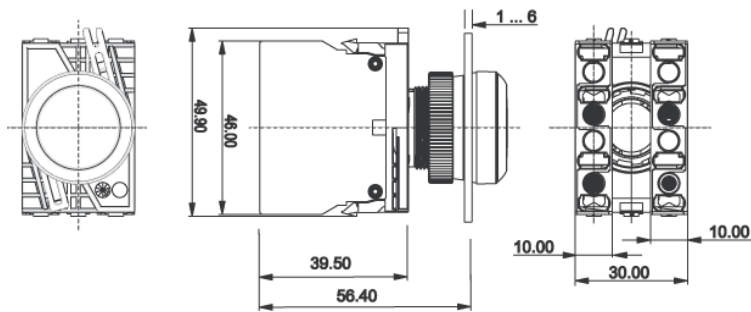
Operating life (operations)	1,000,000 (24 V DC 10 mA)
Switching reliability at 24V/5mA DC	10 x 10 ⁻⁶
Robustness	acc. to IEC 60947-5-5
Corresponding to CE	acc. EU-guideline NSR 72/73
Shock resistance acc. to IEC 60068-2-27	15 g at 11 ms, amplitude half sinusoidal
Resistance to vibrations acc. to IEC 60068-2-6	5 g at 10 ... 500 Hz
Ambient temp. operating min.	-25 °C
Ambient temp. operating max.	+70 °C
Storage temperature min.	-40 °C

Storage temperature max.	+80 °C
Environmental resistance	acc. to IEC 60068-2-14, -30, -33 and -78
ROHS compliant	yes
REACH compliant	yes

Assembly: Gold contacts, 1NC + 1NO



with contact block



Mouser Electronics

Authorized Distributor

Click to View Pricing, Inventory, Delivery & Lifecycle Information:

[RAFI:](#)

[1.20.125.125/0000](#)