

## RAFIX 16 - Universal contact block, 2 NO, momentary, gold contacts, with lamp socket

### 1.20.123.015/0000

Universal contact blocks have two separate contact chambers and two actuator plungers. This makes it possible to switch two different polarities.



#### Dimensions

Size not mounted	22.2 x 22.2 x 34.4 mm
Mounting depth (with actuator / indicator)	44.7 mm

#### Mechanical design

Mounting	snap on actuator
Contact system	bridge-contact self cleaning
Contact materials	Au
Contact arrangement	2 NO
Contact function	momentary
Lamp socket	W 2 x 4.6d
Terminals	quick connector 2.8 x 0.8 mm
Terminal marking	according to DIN 50013, NC: 11/12 resp. 21/22, NO: 13/14 resp 23/24, lamp: X1 +, X2 -
Operating travel	3 mm
Robustness	100 N

#### Mechanical characteristics

Robustness	acc. to IEC 60947-5-5
------------	-----------------------

#### Electrical characteristics

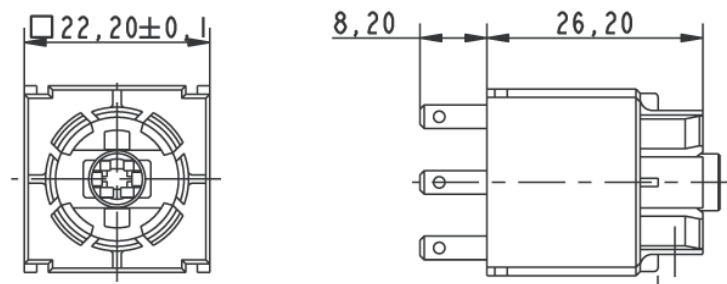
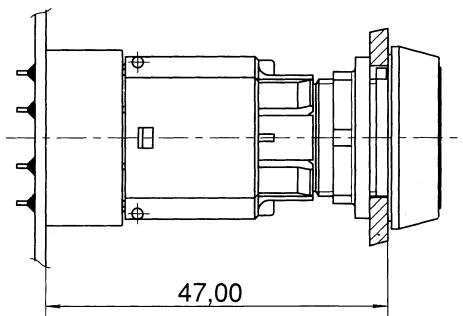
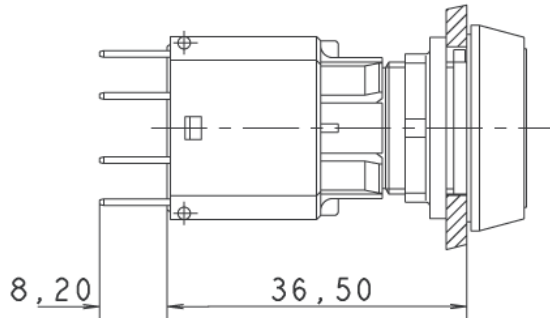
Rated voltage min.	0.02 V
Rated voltage AC/DC max.	35 V
Rated current min.	0.001 A
Rated current max.	0.25 A
Operating life switching element (momentary)	2,000,000
Contact resistance when new max.	50 mΩ

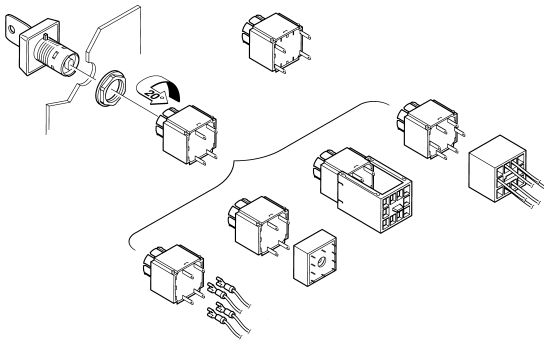
#### Other specifications

Protection class	II
Shock resistance acc. to IEC 60068-2-27	amplitude < 50g, 11ms, half sinusoidal
Operation temperature min.	-25 °C
Ambient temp. operating max. without lamp / LED	+70 °C
Ambient temp. operating max. with lamp /LED	+55 °C
Storage temperature min.	-40 °C
Storage temperature max.	+85 °C
Color code	white bottom
Environmental resistance	acc. to IEC 60068-2-14, -30, -33 and -78

Mechanical operating life latching (operations)	2,000,000
Resistance to vibrations acc. to IEC 60068-2-6	10 g at 20 ... 500 Hz
	yes
ROHS compliant	yes
REACH compliant	yes

with contact block / lamp socket





# Mouser Electronics

Authorized Distributor

Click to View Pricing, Inventory, Delivery & Lifecycle Information:

[RAFI:](#)

[1.20.123.015/0000](#)