

Metal ground plane foil 0.6x0.6m 9091.99.0250

Description

Adhesive aluminium foil kit.
Easy mounting using 3 strips each 0.2x0.6 m.
Builds a metal ground plane for monopole stick antennas, if mounted on non-metal materials.



Technical Data

Mechanical Data

Weight	0.69 kg
Dimensions (mm)	600 x 600 x 0.06 (Height x Width x Depth)
Material	Aluminium

Environmental Data

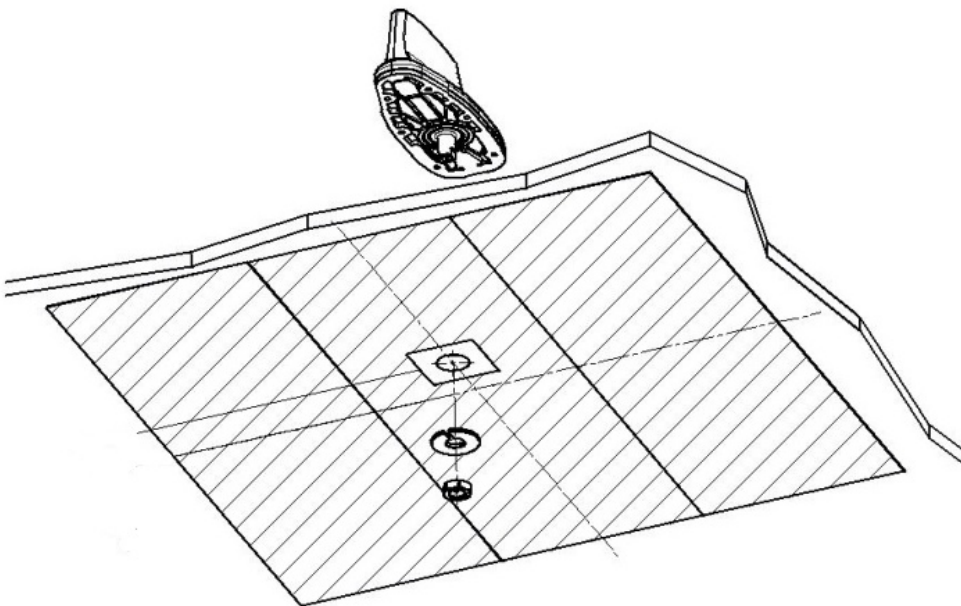
Operation temperature (°C)	-40 to 130
2011/65/EU (RoHS - including 2015/863 and 2017/2102)	compliant

Related Documents

Mounting instruction	DOC-0000361395
Painting instruction	DOC-0000256180
Security instruction	DOC-0000278984
Outline drawing1	DPA-00155757

Additional Information

Please check the ground plane requirements in the respective stick antenna datasheets.



Mouser Electronics

Authorized Distributor

Click to View Pricing, Inventory, Delivery & Lifecycle Information:

[HUBER+SUHNER:](#)

[9091.99.0250](#)