

Sencity Special Communication Antenna 848657

Description

Omni-directional Antenna
 Frequency Range 410 - 430 MHz
 Vertical Polarization
 Fixed Electrical Downtilt 8.5°
 8 dBi Gain



Product Configuration

Technical Data

Electrical Data

Band 1	
Frequency (MHz)	410 - 430
VSWR	1.5
Impedance (Ohm)	50
Gain (dBi)	8
Composite power max (W)	500
Ambient temperature (°C)	50
Vertical electrical tilt (°)	8.5

Ports

Port 1	
Connector	7/16, jack (female)
Polarization	vertical
DC grounded	Yes

Connections

Band 1	
Port 1	X

General Data

IMD level -150 dBc at carrier power 2x 43dBm

Mechanical Data

Dimensions (mm) 3114 x 51 (Height x Diameter)
 Weight (kg) 8
 Windload frontal: 220 N at 150 km/h , Wind speed survival: 200 km/h

Packing size (mm): 3376x196x102

Environmental Data

Environmental conditions outdoor
 2011/65/EU (RoHS - including compliant
 2015/863 and 2017/2102)
 WEEE 2012/19/EU no special marking needed
 REACH 1907/2006/EC compliant

Mounting:

The antenna can be attached laterally at the tip of a tubular mast of 50-94 mm diameter with two U-bolt brackets supplied with the antenna (connecting cable runs outside the mast).

Sencity Special Communication Antenna 848657

Anti-static protection:

All metal parts of the antenna as well as the supplied clamp attachment are grounded. The inner conductor is capacitively coupled.

Lightning protection:

The antenna is designed to withstand a lightning current of up to 150 kA (impulse: 10/350 μ s), according to IEC 62305 parts 1-4 and VDE 0855-300, and thereby fulfils the requirements of lightning protection class II. Grounding cross-section: 22 mm² copper.

Material:

Base: Weather-proof Aluminum.

Mounting kit, screws and nuts: Stainless steel.

Material Data

Radome colour	grey
Radome material	Glass Reinforced Plastic (GRP)
Back plate/base plate colour	grey
Back plate/base plate material	Aluminium

Related Products

738908 Side-mounting Clamp

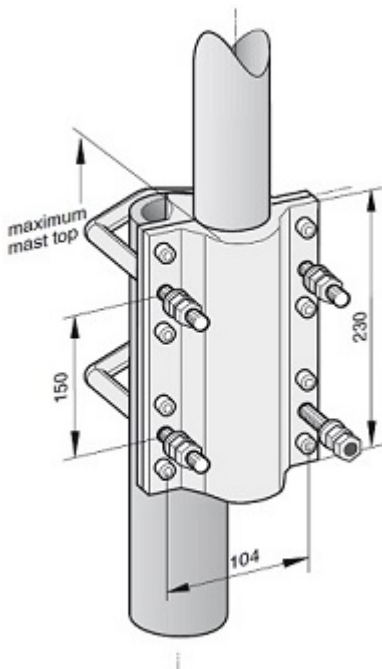
737398 Side-mounting Bracket

Order separately!

Related Documents

Mounting instruction	DOC-0000871202
Security instruction	DOC-0000278984
Outline drawing	DOU-00397302

Additional Information



Mouser Electronics

Authorized Distributor

Click to View Pricing, Inventory, Delivery & Lifecycle Information:

[HUBER+SUHNER:](#)

[848657](#)