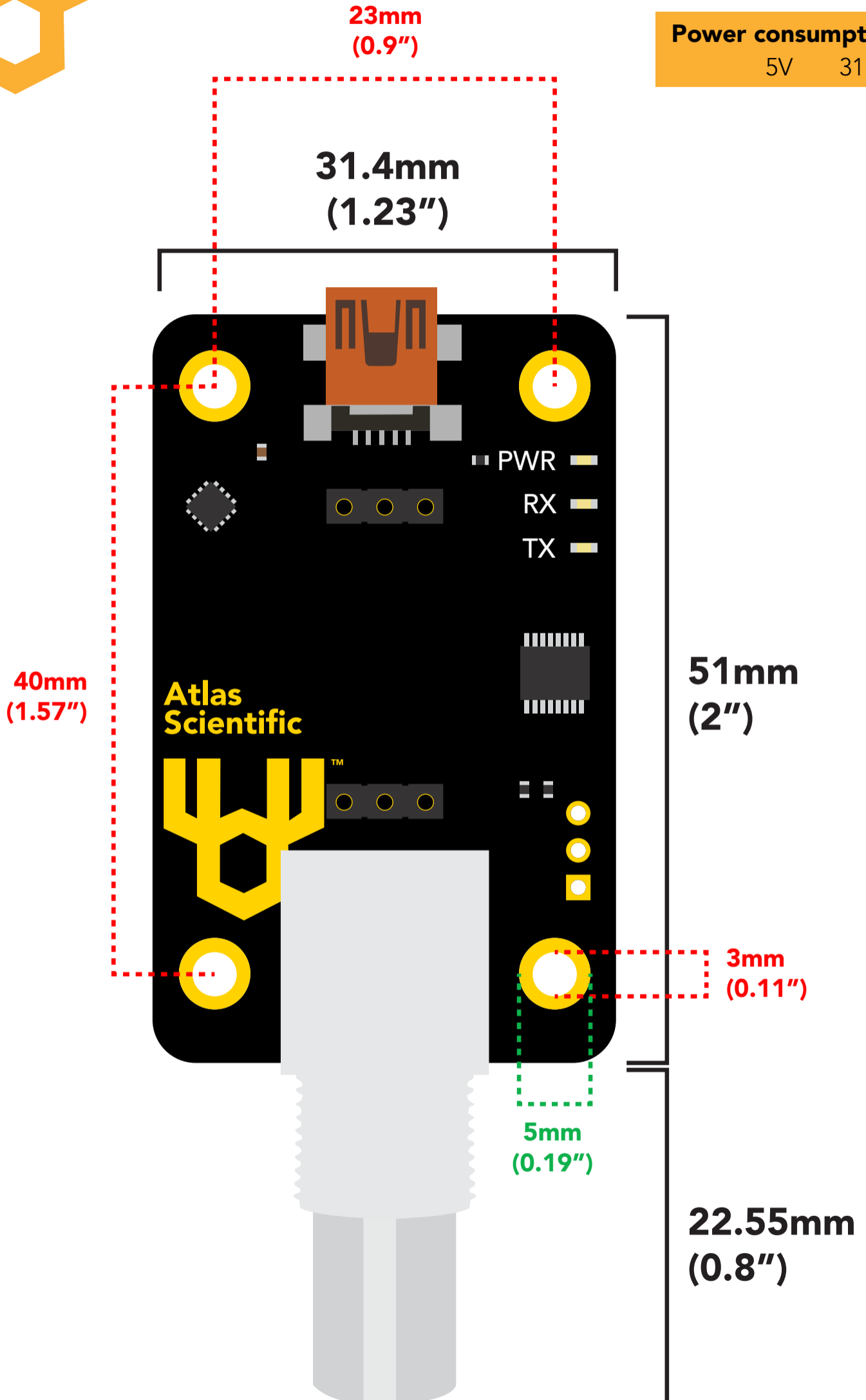


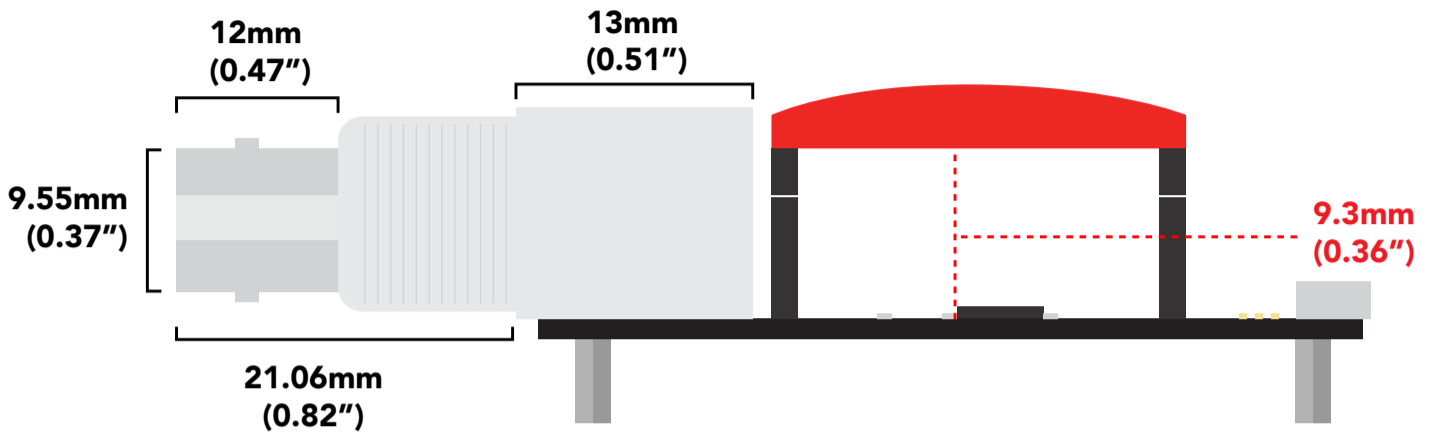
## Electrically Isolated USB EZO™ Carrier Board

**Power consumption**

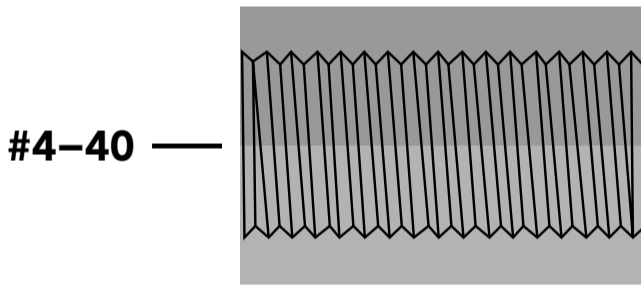
5V 31mA



## Electrically Isolated USB EZO™ Carrier Board

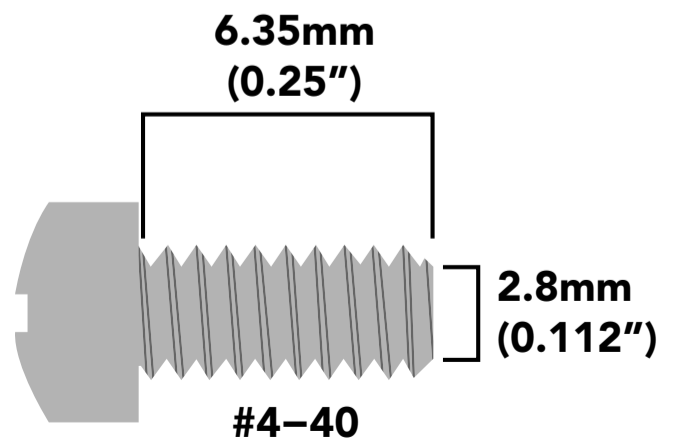
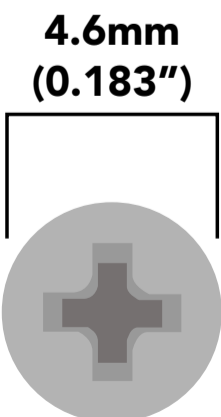


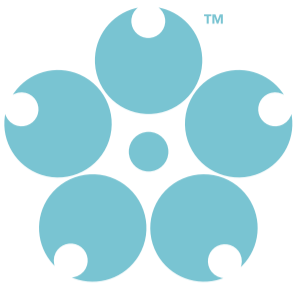
## Standoff



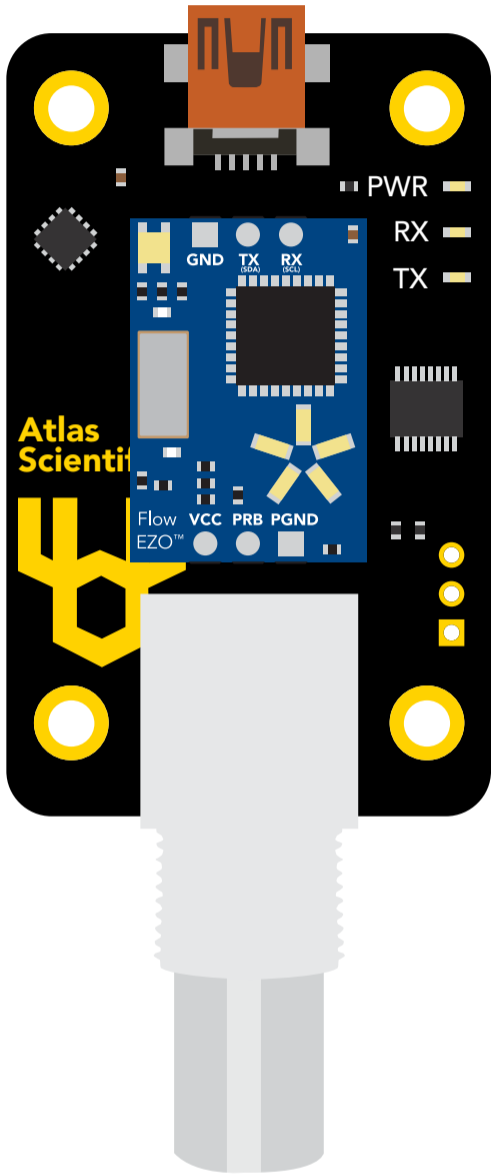
10.9mm  
(0.43")

## Screw

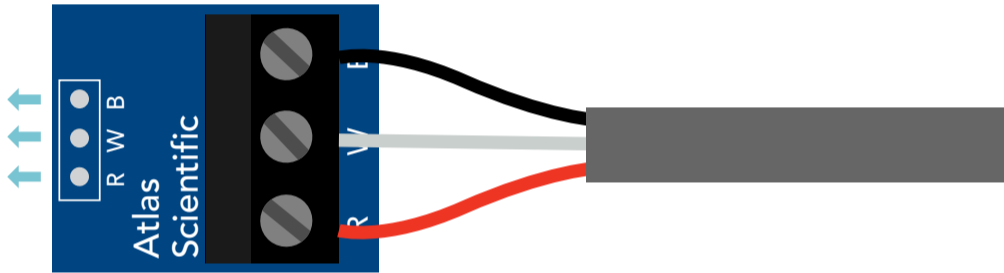




## Proper setup for use with the EZO™ Universal Flow Meter Totalizer

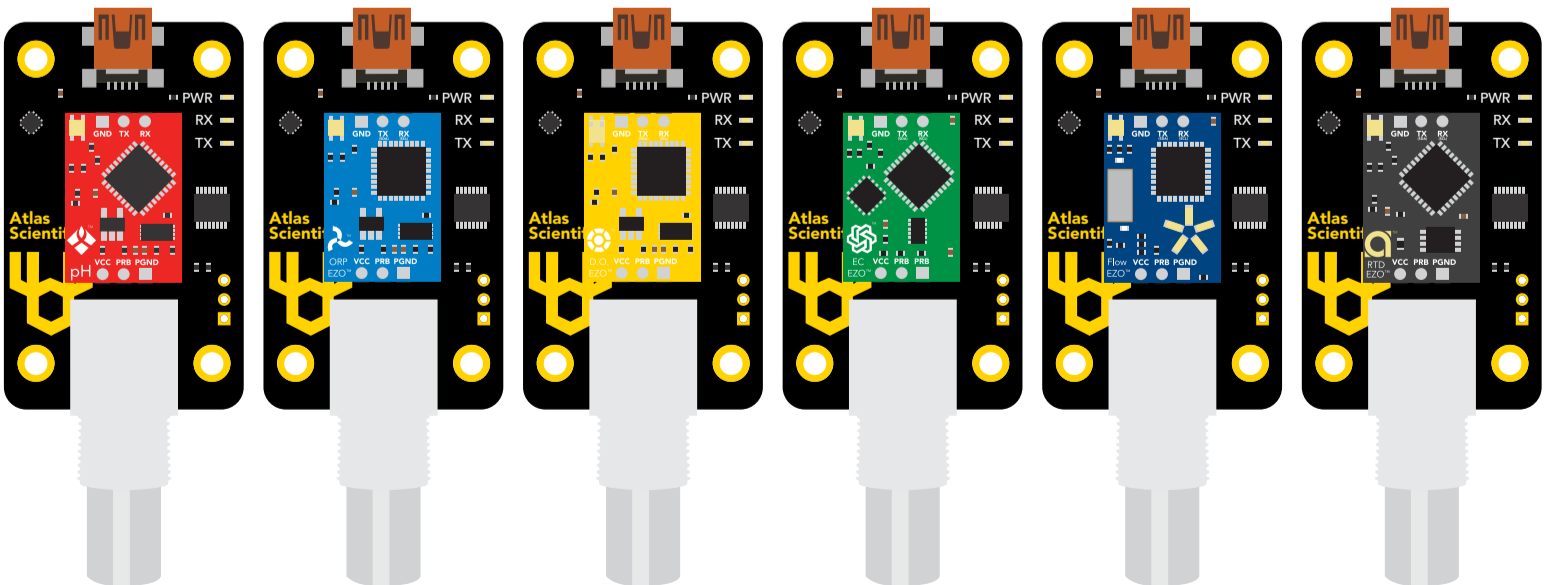


Connect Flow breakout board  
to the carrier board.



The Electrically Isolated USB EZO™ Carrier Board works with all EZO™ class devices.

*The Electrically Isolated USB EZO™ Carrier Board does not come with EZO™ class devices.*



# Mouser Electronics

Authorized Distributor

Click to View Pricing, Inventory, Delivery & Lifecycle Information:

[SparkFun Electronics:](#)

[SEN-14091](#)