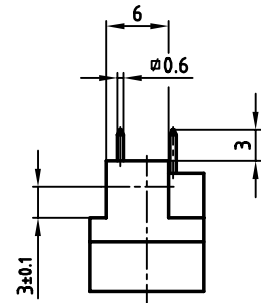
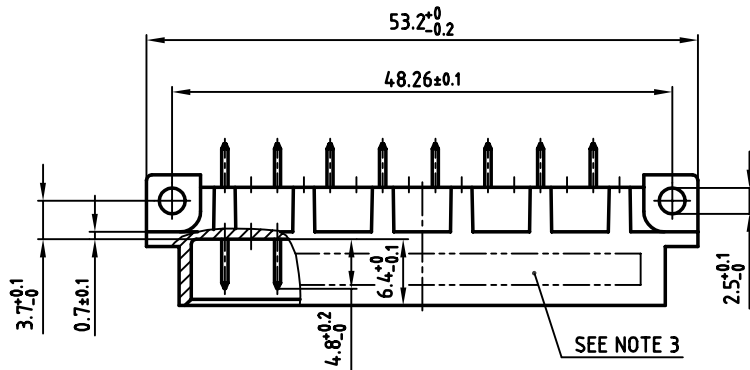
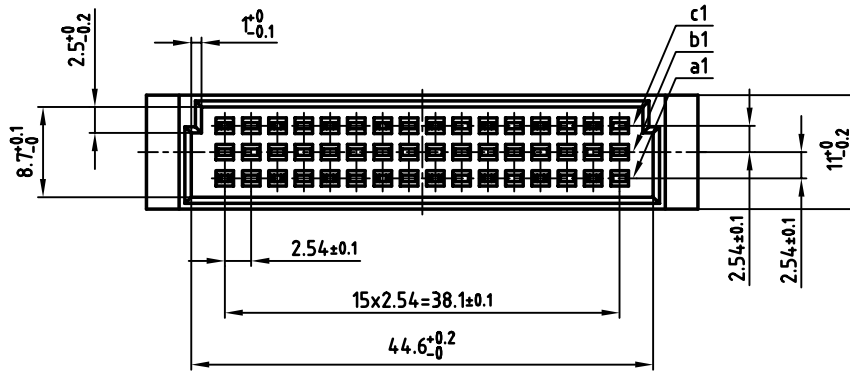


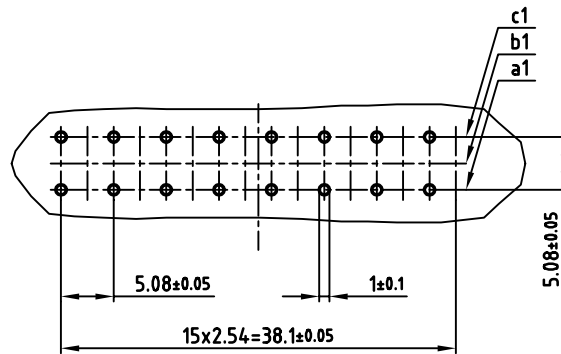
used for: DIN EN 60603 TYPE "C 1/2"



**NOTES:**

1. INSULATOR: PBTP GF UL 94 V-0, GREY
2. CONTACTS: COPPER ALLOY  
PLATING: GOLD OVER NICKEL  
400 MATING CYCLES
3. CONNECTOR IS PART MARKED: 121B10409X CONEC Y/WW

**P.C.B. HOLE DRILLINGS**



THIS DRAWING MAY NOT BE COPIED OR REPRODUCED IN ANY WAY, AND MAY NOT BE PASSED ON TO A THIRD PARTY, WITHOUT WRITTEN PERMISSION. OWNERSHIP AND COPYRIGHT OF CONEC GMBH DO NOT ALTER CAD DRAWING BY HAND

rev.	description	date	name

tolerance			scale: 2:1	
dim. in mm			material: SEE NOTES	
2003	date	title:		
drawn	27.11.	Lehmenkühler		
appd.	27.11.	Mickenbecker		
norm		DIN EN 60603		
d-old				
		dwg no:		AutoCAD 2000
		12K1A285		DIN-A
part no:		121B10409X		

APPROVAL # FREIGABE # DEBLOCAGE # AUTORIZACION # APPROVAL	
CUSTOMER APPROVAL DATE:	
NAME:	TITLE:
COMPANY NAME:	
APPROVAL # FREIGABE # DEBLOCAGE # AUTORIZACION # APPROVAL	

6

5

4

2

1

# Mouser Electronics

Authorized Distributor

Click to View Pricing, Inventory, Delivery & Lifecycle Information:

[CONEC:](#)

[121B10409X](#)