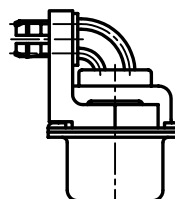
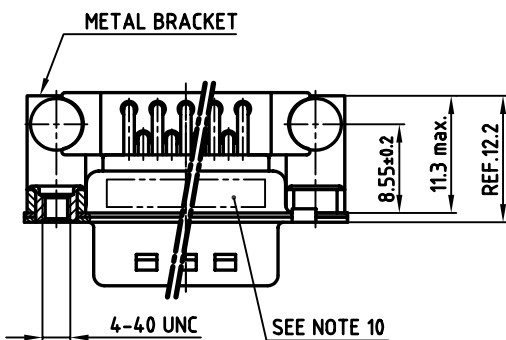
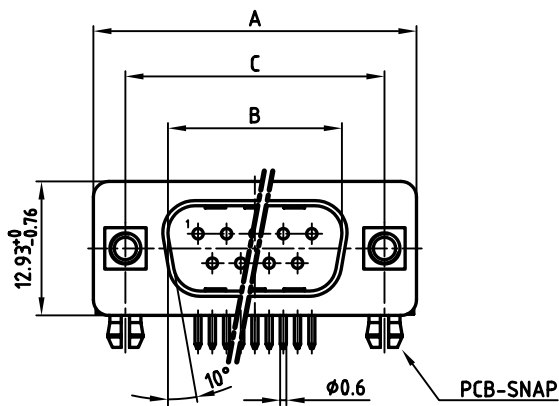
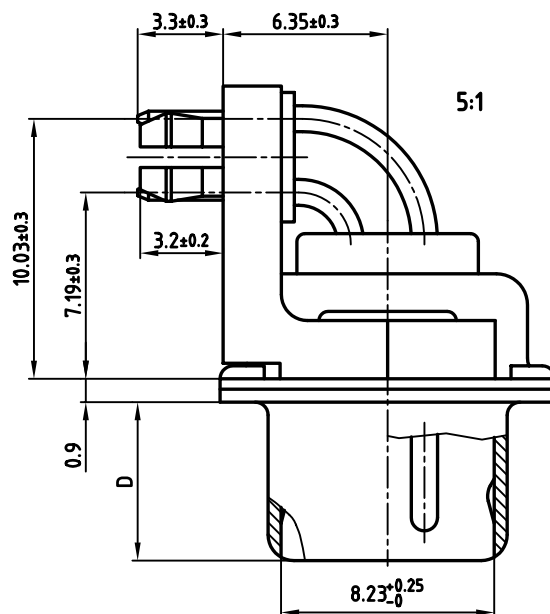


used for: D-SUB

POS.	A -0.76	B $+0.25$	C	D -0.3	PART-NO.
9	31.19	16.79	25.00 $+0.12$ -0.13	6.12	163C17529X
15	39.52	25.12	33.30 $+0.15$ -0.1	6.12	163C17539X
25	53.42	38.84	47.04 ± 0.13	5.99	163C17549X
37	69.70	55.30	63.50 ± 0.13	5.99	163C17559X



NOTES:

- METALSHELLS: STEEL; min. 320µ" TIN
- INSULATORS: PBT GF UL 94 V-0, BLACK
- CONTACTS: COPPER ALLOY
PLATING: 30µ" HARD GOLD OVER min. 50µ" NICKEL
- METAL BRACKET: DIE-CASTING; min. 320µ" TIN over 80µ" NICKEL
- THREADED INSERT: COPPER ALLOY; min. 200µ" TIN over 80µ" NICKEL
- PCB-SNAP: COPPER ALLOY; min. 200µ" TIN over 80µ" NICKEL
PCB-HOLE: $\phi 3.1 \pm 0.1$; PCB THICKNESS 1.6mm
- FIXING-PLATE: PBT GF UL 94 V-0, BLACK
- P.C.B. HOLE DRILLINGS ON SHEET 2
- MAXIMUM TORQUE VALUE FOR THREAD: 6" LBS
- CONNECTOR IS PART MARKED: PART-NO. CONEC ABC
- = CHECK DIMENSION

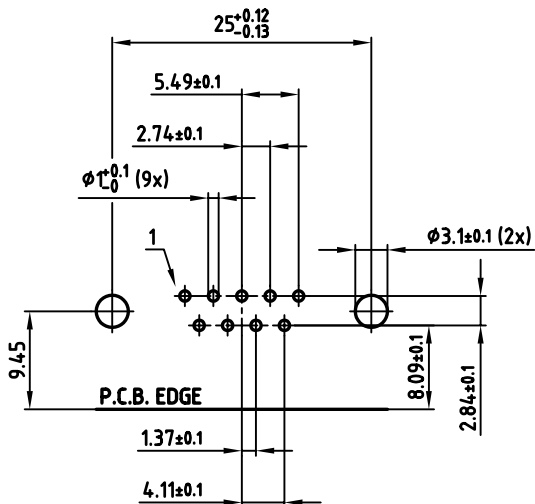
Directive 2002/95/EC
 "RoHS"
 Compliant

APPROVAL * FREIGABE * DEBLOCAGE * AUTORIZACION * APPROVAL	
CUSTOMER APPROVAL DATE:	
NAME:	TITLE:
COMPANY NAME:	
APPROVAL * FREIGABE * DEBLOCAGE * AUTORIZACION * APPROVAL	

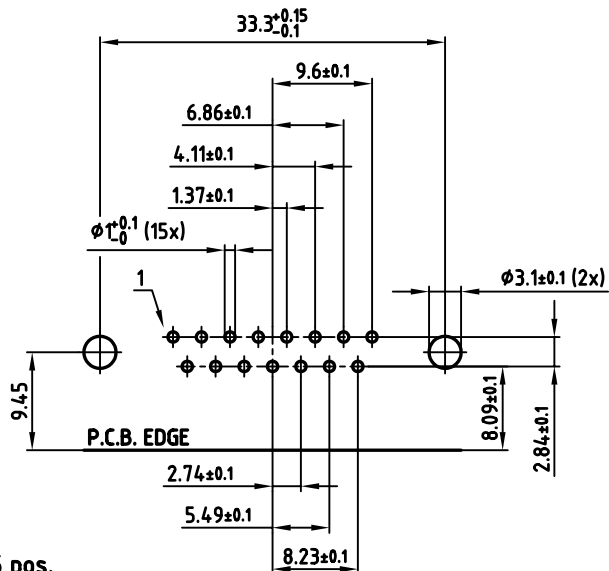
THIS DRAWING MAY NOT BE COPIED OR REPRODUCED IN ANY WAY, AND MAY NOT BE PASSED ON TO A THIRD PARTY, WITHOUT WRITTEN PERMISSION.
 OWNERSHIP AND COPYRIGHT OF CONEC GmbH
DO NOT ALTER CAD DRAWING BY HAND

	tolerance	dim. in mm	scale: 2:1 (5:1)	material: SEE NOTES
	2006	date	title:	
	drawn	08.03.	Lehmenkühler	
	appd.	09.03.	Mickenbecker	
	norm	DIN 41652		
	d-old			
a	Origin	CONEC		
rev.	description	date	name	dwg no: AutoCAD 2006 DIN-A
				16K2A682 3 sh:1/2
				part no: SEE TABLE

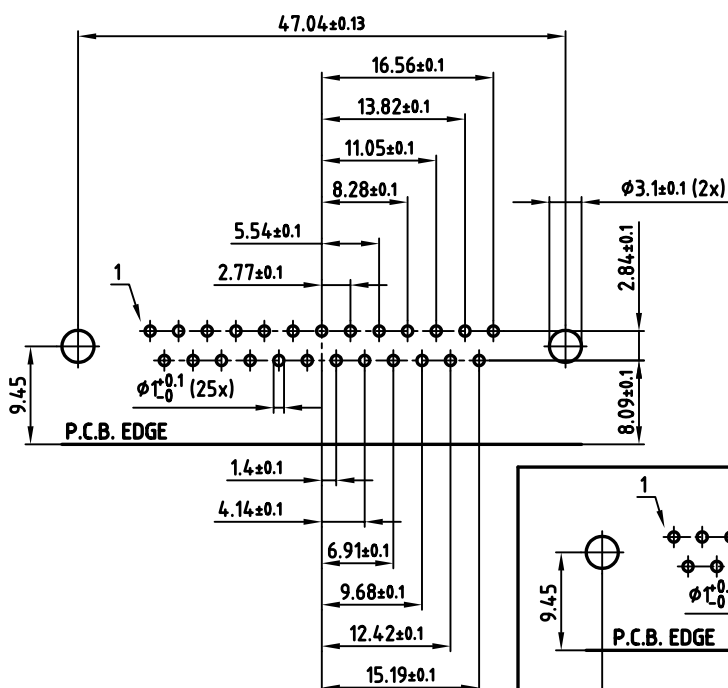
used for: D-SUB



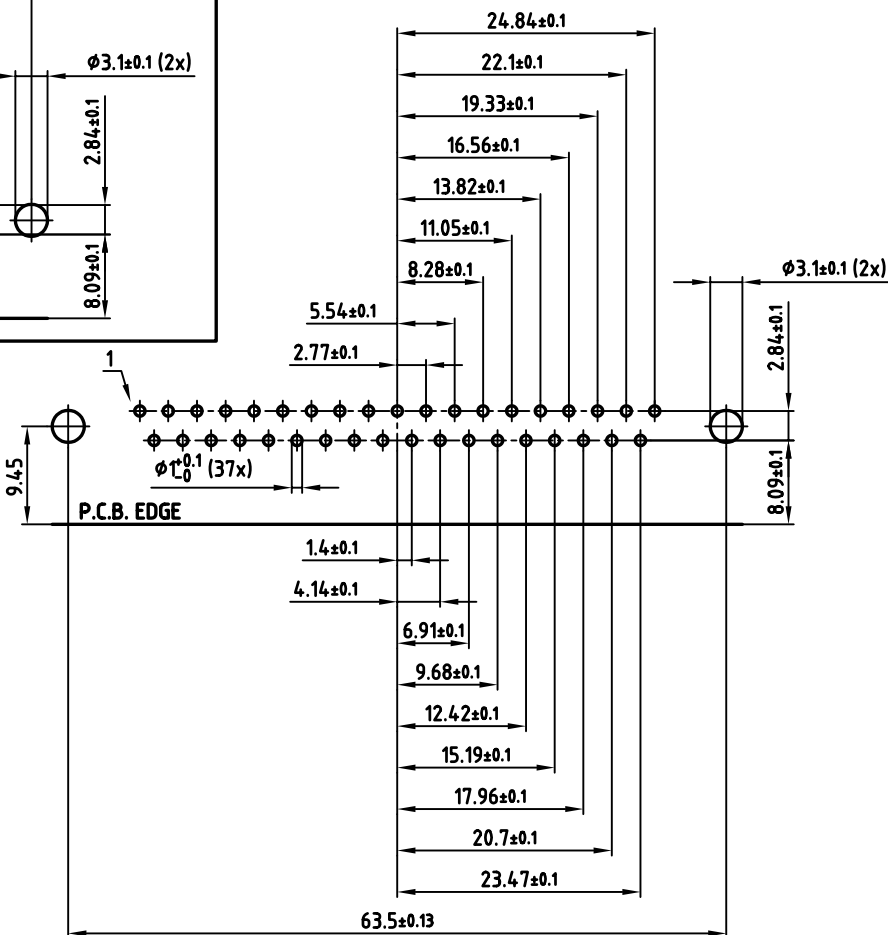
9 pos.



15 pos.



25 pos.



37 pos.

APPROVAL * FREIGABE * DEBLOCAGE * AUTORIZACION * APPROVAL

CUSTOMER APPROVAL DATE:

NAME: TITLE:

COMPANY NAME:

APPROVAL * FREIGABE * DEBLOCAGE * AUTORIZACION * APPROVAL

THIS DRAWING MAY NOT BE COPIED OR REPRODUCED IN ANY WAY, AND MAY NOT BE PASSED ON TO A THIRD PARTY, WITHOUT WRITTEN PERMISSION. OWNERSHIP AND COPYRIGHT OF CONEC GmbH DO NOT ALTER CAD DRAWING BY HAND

rev.	description	date	name
a	Origin		

tolerance	ϕ	scale:	2:1
	dim. in mm	material:	SEE SHEET 1
2006	date	name	
drawn	08.03.	Lehmenkühler	
appd.	09.03.	Mickenbecker	
norm	DIN 41652		
d-old			
		dwg no:	AutoCAD 2006
		part no:	SEE SHEET 1

title:

P.C.B. HOLE DRILLINGS
D-SUB MALE 90° 9-37pos. 0.318inch
with threaded insert, metal bracket and clip

dwg no: AutoCAD 2006

16K2A682

part no: SEE SHEET 1

DIN-A 3 sh:2/2

Mouser Electronics

Authorized Distributor

Click to View Pricing, Inventory, Delivery & Lifecycle Information:

[CONEC:](#)

[163C17539X](#)