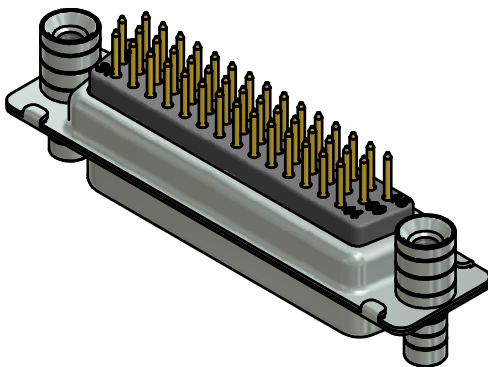
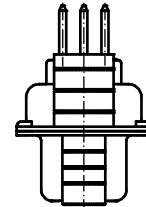
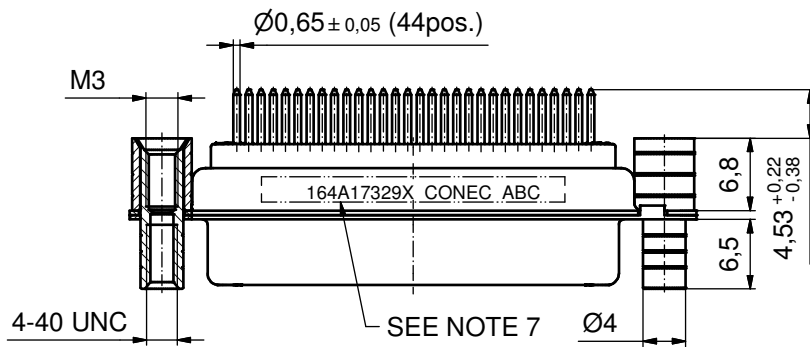
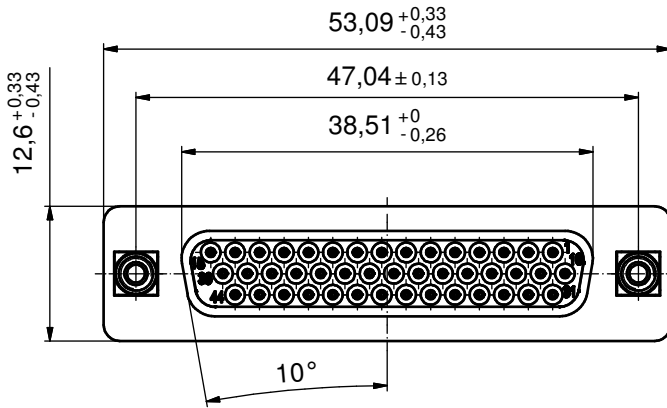
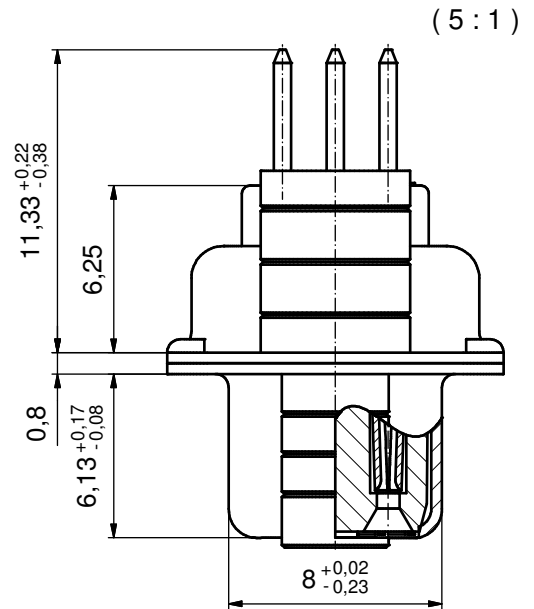


P.C.B. HOLE DRILLINGS
(P.C.B. TOP SIDE)



NOTES:

- METALSHELLS: STEEL; min. 315µin TIN over 40-80µin NICKEL
- INSULATORS: PBT GF UL 94 V-0; BLACK
- CONTACTS: COPPER ALLOY
PLATING: GOLD FLASH over NICKEL
- THREADED REAR SPACERS / FRONT THREADED LOCKS:
COPPER ALLOY; min. 200µin TIN over 80µin NICKEL
- SLEEVES: COPPER ALLOY; min. 200µin TIN over 80µin NICKEL
- MAXIMUM TORQUE VALUE FOR THREAD: 6 in.LB
- CONNECTOR IS PART MARKED: 164A17329X CONEC ABC

Directive 2002/95/EC RoHS compliant

THIS DRAWING MAY NOT BE COPIED OR REPRODUCED IN ANY WAY, AND MAY NOT BE PASSED ON TO A THIRD PARTY WITHOUT WRITTEN PERMISSION. OWNERSHIP AND COPYRIGHT OF CONEC GmbH DO NOT ALTER CAD DRAWING BY HAND	tolerance		dim. in mm		scale: 2:1 (5:1)
					material: SEE NOTES
	drawn	24.05.11	Henneboel		title: D-SUB HD FEMALE 44pos. SOLDER PIN STRAIGHT with threaded rear spacer and front threaded lock
	appd.	26.05.11	Fischer		
	norm				
	d-old				
	rev.	a	Original		
description					DIN-A3
date					sh: 1
					part no: 164A17329X



Mouser Electronics

Authorized Distributor

Click to View Pricing, Inventory, Delivery & Lifecycle Information:

[CONEC:](#)

[164A17329X](#)