

Technical specification:

Technische Daten:

Working voltage/ Betriebsspannung:	125 V AC
Insulation resistance/ Isolationswiderstand:	≥5 GΩ
Dielectric withstanding voltage/ Spannungsfestigkeit:	1000 V, 50 Hz, 1 min.
Temperature range/ Temperaturbereich:	-55 °C ... +125 °C
Current rating/ Strombelastbarkeit:	7,5 A (UL) / 5 A (CSA, VDE)
Mating cycles/ Steckzyklen:	Quality class 1 = 500 Gütestufe 1 Quality class 2 = 200 Gütestufe 2 Quality class 3 = 50 Gütestufe 3

Materials/

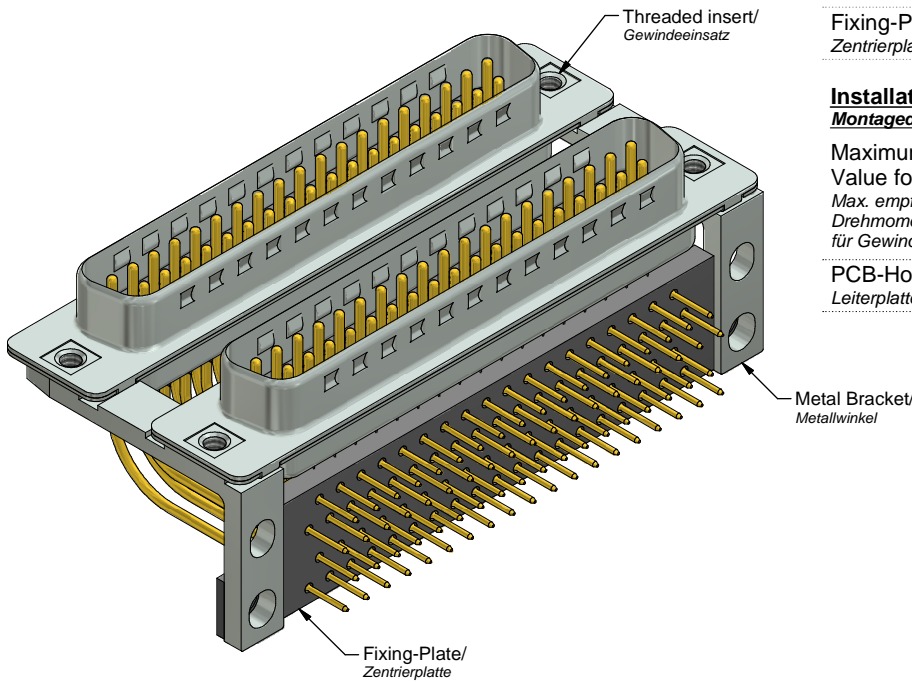
Werkstoffe:

Contact/ Kontakt:	Cu alloy, Au over Ni
Insulator/ Isolierkörper:	PBT GF UL 94 V-0, black/schwarz
Shell/ Gehäuse:	Steel, Sn over Ni
Metal bracket/ Metallwinkel:	GD-Zn, Cu / Ni / Sn
Threaded Lock/ Gewindebolzen:	Cu alloy, Tin over Ni
Fixing-Plate/ Zentrierplatte:	PBT GF UL 94 V-0, black/schwarz

Installation specification/

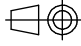

Montagedaten:

Maximum torque Value for thread/ Max. empfohlenes Drehmoment für Gewinde:	6 in.LB/ 67 Ncm
PCB-Hole drillings/ Leiterplattenbohrbild:	see sheet 2/ siehe Seite 2



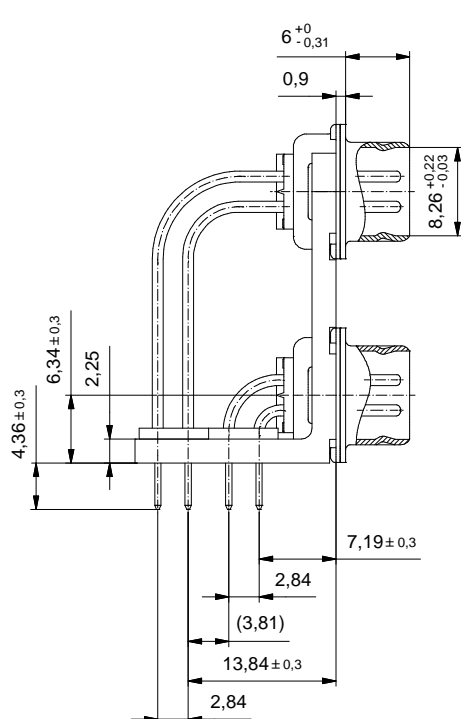
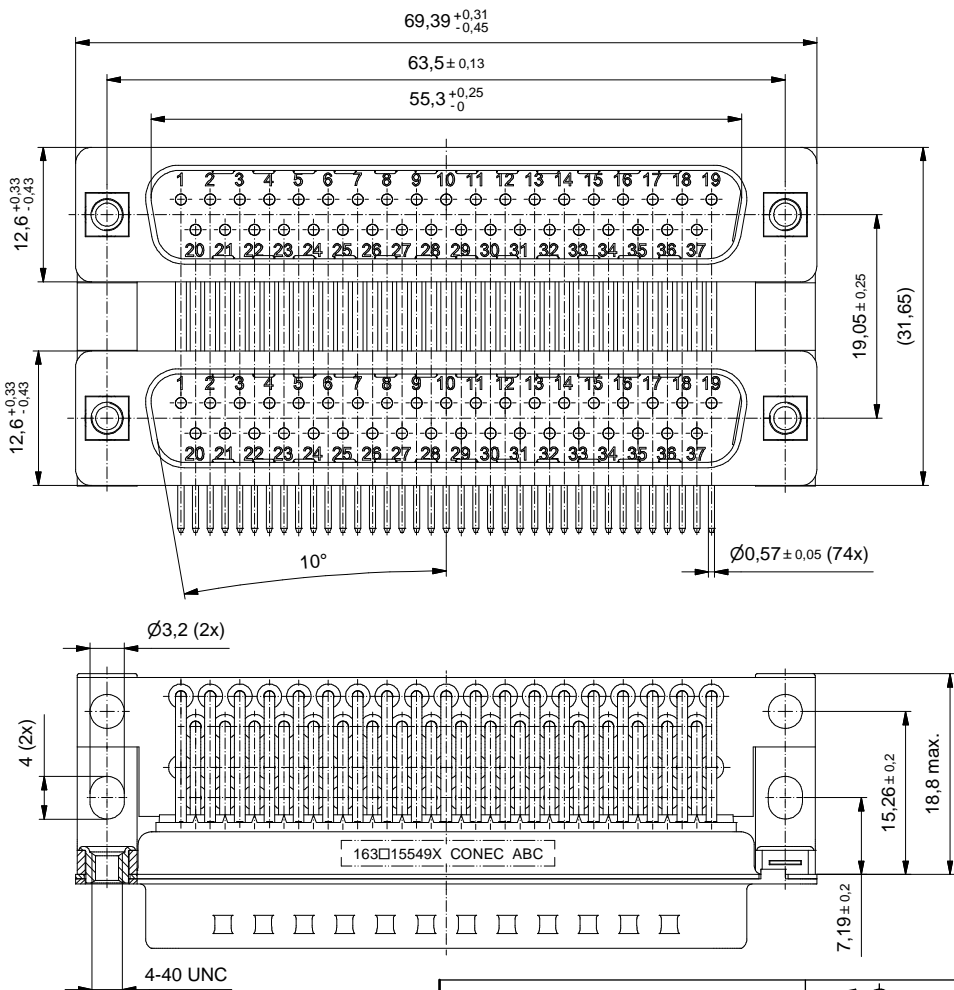
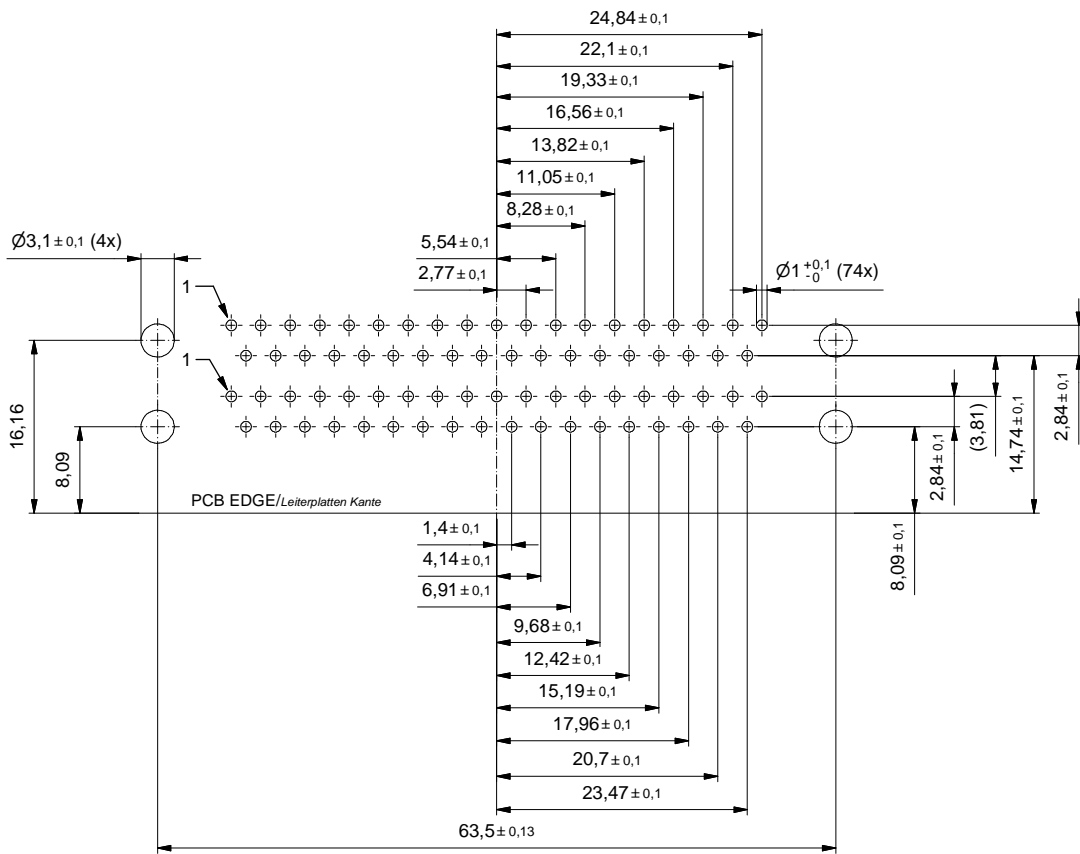
(b)

Part no. / Part Marked/ Art.-Nr. / Bedruckung:	Quality class/ Gütestufe:	Contact plating/ Kontakt Veredelung:
163A15549X	3	Gold Flash over Nickel Gold über Nickel
163B15549X	2	20 µm Hard Gold over min. 50 µm Nickel 20 µm Gold über min. 50 µm Nickel
163C15549X	1	30 µm Hard Gold over min. 50 µm Nickel 30 µm Gold über min. 50 µm Nickel

 dim. in mm		D-SUB DUAL PORT 19.05mm 37pos. Male / 37pos. Male with threaded insert, metal bracket and fixing plate D-SUB DUAL PORT 19.05mm 37pol. Stift / 37pol. Stift mit Gewindeeinsatz, Metallwinkel und Zentrierplatte															
<table border="1"> <tr> <td>drawn/ gez.</td> <td>10.10.16</td> <td colspan="2">Name Lehmenkühler</td> </tr> <tr> <td>appd./ gepr.</td> <td>11.10.16</td> <td colspan="2">Schmidt</td> </tr> </table>		drawn/ gez.	10.10.16	Name Lehmenkühler		appd./ gepr.	11.10.16	Schmidt		<table border="1"> <tr> <td>dwg no / Z.-nr.:</td> <td>16K1A3854</td> <td>DIN- A3</td> </tr> <tr> <td>Index:</td> <td>b Ä6355 10.10.16 JL</td> <td>1 / 2</td> </tr> </table>		dwg no / Z.-nr.:	16K1A3854	DIN- A3	Index:	b Ä6355 10.10.16 JL	1 / 2
drawn/ gez.	10.10.16	Name Lehmenkühler															
appd./ gepr.	11.10.16	Schmidt															
dwg no / Z.-nr.:	16K1A3854	DIN- A3															
Index:	b Ä6355 10.10.16 JL	1 / 2															
Status: InBearbeitung																	
RoHS & REACH compliant/ konform		scale/Maßstab: 2:1															

The reproduction, distribution and utilization of this document as well as the communication of its content to other without express authorization is prohibited. Offenders will be held liable for the payment of damages. We reserve the right to withdraw advertising and notices, even if they have already been published, without notice and compensation.

PCB hole drillings
(PCB top side) /
Leiterplattenbohrbild
(Leiterplatten Oberseite)



Index: b Ä6355 10.10.16 JL Status: InBearbeitung RoHS & REACH compliant/konform	Scale/Maßstab: 2:1		dim. in mm	D-SUB DUAL PORT 19.05mm 37pos. Male / 37pos. Male with threaded insert, metal bracket and fixing plate	DIN-A3 2 / 2
			Date/Datum 10.10.16	Name Lehmenkühler	
drawn/gez. appd./gepr.	11.10.16	Schmidt	D-SUB DUAL PORT 19.05mm 37pol. Stift / 37pol. Stift mit Gewindeeinsatz, Metallwinkel und Zentrierplatte		

The reproduction, distribution and utilization of this document as well as the communication of its contents to others without express authorization is prohibited. Offenders will be held liable for the payment of damages. We reserve the right to remove additional data at any time without notice. / Die Vervielfältigung, Verbreitung, auch auszugsweise, ist ohne schriftliche Genehmigung der CONEC AG. / The reproduction, distribution and utilization of this document as well as the communication of its contents to others without express authorization is prohibited. Offenders will be held liable for the payment of damages. We reserve the right to remove additional data at any time without notice.

Mouser Electronics

Authorized Distributor

Click to View Pricing, Inventory, Delivery & Lifecycle Information:

[CONEC:](#)

[163A15549X](#)