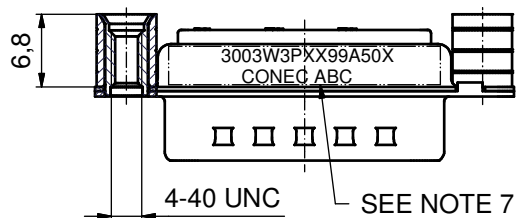
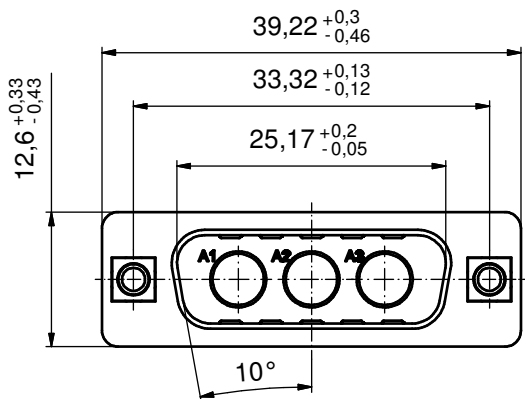
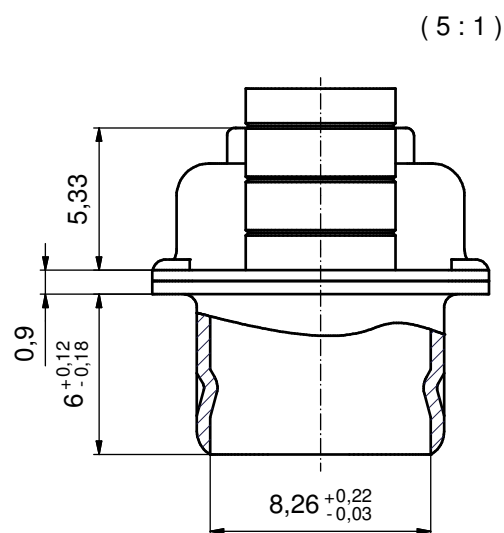
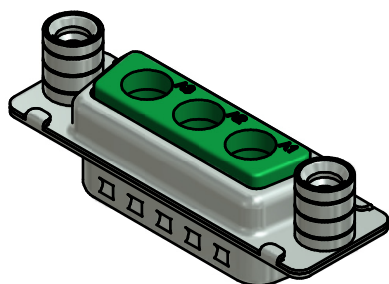


P.C.B. HOLE DRILLINGS
(P.C.B. TOP SIDE)



SEE NOTE 7



(5:1)

NOTES:

- METALSHELLS: STEEL; min. 315µm TIN over 40-80µm NICKEL
- INSULATOR: PBT GF UL 94 V-0, GREEN
- NO CONTACTS ON POS. A1 - A3
- THREADED REAR SPACERS: COPPER ALLOY; min. 200µm TIN over 80µm NICKEL
- SLEEVES: COPPER ALLOY; min. 200µm TIN over 80µm NICKEL
- MAXIMUM TORQUE VALUE FOR THREAD: 6 in.LB
- CONNECTOR IS PART MARKED: 3003W3PXX99A50X CONEC ABC

Directive 2002/95/EC RoHS compliant

THIS DRAWING MAY NOT BE COPIED OR REPRODUCED IN ANY WAY, AND MAY NOT BE PASSED ON TO A THIRD PARTY WITHOUT WRITTEN PERMISSION. OWNERSHIP AND COPYRIGHT OF CONEC GmbH DO NOT ALTER CAD DRAWING BY HAND	tolerance		dim. in mm	scale: 2:1 (5:1)		
				material: SEE NOTES		
	drawn	26.06.14	Henneboel		title: D-SUB COMBINATION MALE 3W3P with threaded rear spacer	
	appd.	26.06.14	Lehmenkühler			
	norm					
	d-old				dwg no:	DIN-A3
	a	Original			13K1A4702	
rev.	description	date			name	part no:
				sh: 1		

Mouser Electronics

Authorized Distributor

Click to View Pricing, Inventory, Delivery & Lifecycle Information:

[CONEC:](#)

[3003W3PXX99A50X](#)