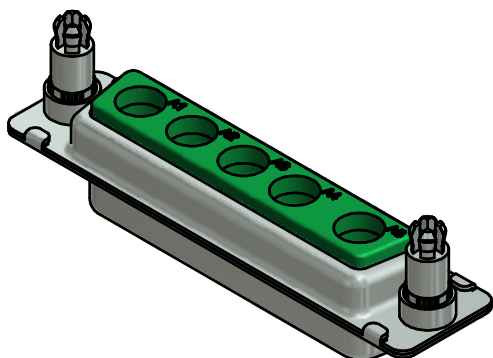
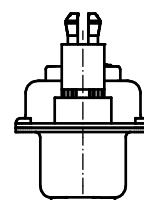
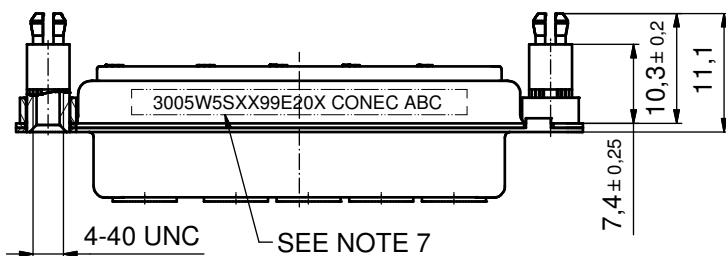
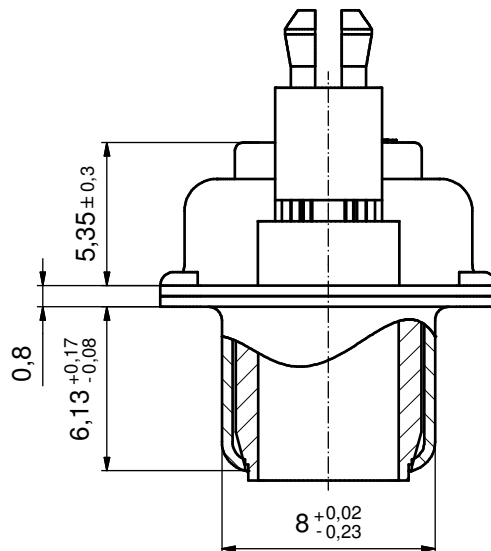
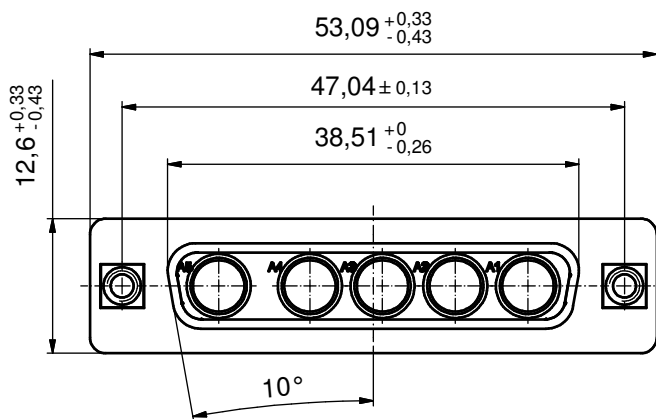


P.C.B. HOLE DRILLINGS
(P.C.B. TOP SIDE)

(5:1)



NOTES:

- METALSHELLS: STEEL; min. 315µm TIN over 40-80µm NICKEL
- INSULATOR: PBT GF UL 94 V-0, GREEN
- NO CONTACTS ON POS. A1 - A5
- THREADED REAR SPACER CLIPS: COPPER ALLOY; min. 200µm TIN over 80µm NICKEL
PCB-HOLE: $\varnothing 3.1 \pm 0.1$; PCB THICKNESS 1,6mm
- COLLARS: COPPER ALLOY; min. 200µm TIN over 80µm NICKEL
- MAXIMUM TORQUE VALUE FOR THREAD: 6 in.LB
- CONNECTOR IS PART MARKED: 3005W5SXX99E20X CONEC ABC

Directive 2002/95/EC RoHS compliant

| | | | | | | |
|---|-----------|-------|--------------------------|--------------------------|-------------------------------|--|
| THIS DRAWING MAY NOT BE COPIED OR REPRODUCED IN ANY WAY, AND MAY NOT BE PASSED ON TO A THIRD PARTY WITHOUT WRITTEN PERMISSION. OWNERSHIP AND COPYRIGHT OF CONEC GmbH DO NOT ALTER CAD DRAWING BY HAND | tolerance | | dim. in mm | | scale: 2:1 (5:1) | |
| | | | | | material: SEE NOTES | |
| | | | date | | title: | |
| | | | name | | D-SUB COMPINATION FEMALE | |
| | | | drawn 30.08.13 Henneboel | | 5W5S | |
| | | | appd. 02.09.13 Koch | | with treaded rear spacer clip | |
| | | | norm | | dwg no: | |
| | | d-old | | 13K1A4437 | | |
| a Original | | | | DIN-A3 | | |
| rev. description date name | | | | sh: 1 | | |
| | | | | part no: 3005W5SXX99E20X | | |

Mouser Electronics

Authorized Distributor

Click to View Pricing, Inventory, Delivery & Lifecycle Information:

[CONEC:](#)

[3005W5SXX99E20X](#)