

Technical specification :

Rated voltage: 630 V AC/DC
IEC 61076-2-111

NOTE: VOLTAGE MAY BE PRESENT ONLY IN MATED CONDITION

Current rating: 12 A at 40°C
IEC 61076-2-111

Insulation resistance: ≥ 100 M
IEC 60512

Pollution degree: 3/2
IEC 60664-1

Degree of protection: IP 67, in mated condition
IEC 60529

Temperature range: -20°C ... +80°C
EN 60512-11-10
EN 60512-11-4 -40°C ... +85°C

Mating cycles: ≥ 100
IEC 60512-9a

Cable specification:

Temperatur range:
static -40°C ... +80°C
flexibel -30°C ... +80°C

Materials:

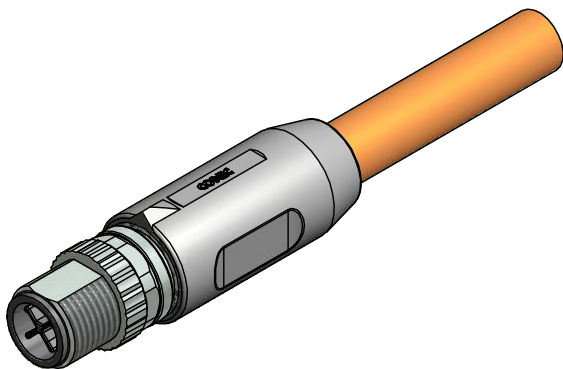
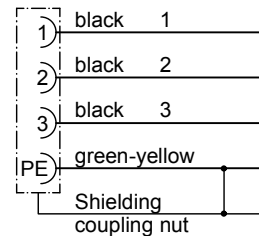
Contact: CuZn, Ni b / Au 0,2 gal.
Contact carrier: PA, UL 94 V-0
Sealing: FPM
Coupling nut: GD-Zn, Nickel plated
Moulding body: TPU, UL 94 HB, grey

Installation specification:

Recommended torque: 0,6 Nm

Conec installation tool: Torque wrench: 36-000200
Insert across flats 13: 36-000220

Contact assignment:



Part no:	Description:	Length L:	Cable:
43-17904	SAL - 12SC - RS3PE - 2 / GOB	2m	TPU, UL 21223, orange, 4xAWG16 LiF9YC11Y Cable: 781-GOB8400
43-17905	SAL - 12SC - RS3PE - 3 / GOB	3m	
43-17906	SAL - 12SC - RS3PE - 5 / GOB	5m	
43-17907	SAL - 12SC - RS3PE - 10 / GOB	10m	
43-xxxxx	SAL - 12SC - RS3PE - ... / GOB	x	

DO NOT ALTER CAD DRAWING BY HAND RoHS & REACH compliant	Index b: 18.02.16 Brü Ä5989 change contact assignment	dim. in mm	title: Male connector M12x1 axial, 360°-shielding
	tolerance of cable: L ≤ 4m: L + 40mm L > 4m: L + 1%	date name drawn 02.07.14 Böckeler appd. 02.07.14 Franz	
	general tolerance: 0 ± 0,50mm 0,0 ± 0,25mm 0,00 ± 0,10mm * ± 5°		43K1A2557
	THIS DRAWING MAY NOT BE COPIED OR REPRODUCED IN ANY WAY, AND MAY NOT BE PASSED ON TO A THIRD PARTY WITHOUT WRITTEN PERMISSION. OWNERSHIP AND COPYRIGHT OF CONEC GmbH		part no: see table

Mouser Electronics

Authorized Distributor

Click to View Pricing, Inventory, Delivery & Lifecycle Information:

[CONEC:](#)

[43-17904](#) [43-17906](#)