

**Technical specification:**

Rated voltage: 50 V AC / 60 V DC  
IEC 61076-2-104

Current rating: 4 A at 40°C  
IEC 61076-2-104

Insulation resistance: >=100 MΩ  
IEC 60512

Pollution degree: 3  
IEC 60664-1

Degree of protection: IP 67, in mated condition  
IEC 60529

Temperature range: -25°C ... +95°C  
EN 60512-11-10  
-40°C ... +85°C  
EN 60512-11-4

Mating cycles: >=100  
IEC 60512-9a

**Materials:**

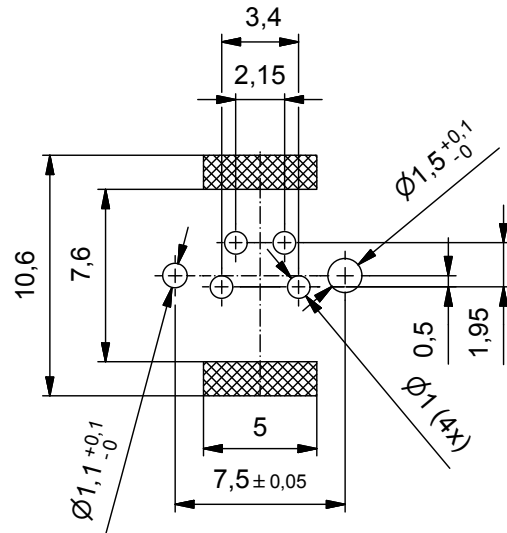
Contact: CuZn, Ni b / Au 0,2 gal.

Contact carrier: LCP GF

Shroud: CuSn, nickel / sel. tin plated

Suitable for reflow soldering  
max. 60s / 250°C

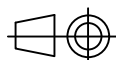
**Layout proposal**



Part no. packing unit Tape & Reel:	Part no. packing unit in bulk:	Description:	Pos
42-01395TR	42-01395	SAL - 8S - IK4 / THR	4

DO NOT ALTER CAD DRAWING BY HAND

RoHS & REACH compliant



dim. in mm

	date	name
drawn	18.03.15	Gitinow
appd.	20.03.15	Schramm

**title:**  
Insulating body female M8x1 THR, shielded

**dwg no:**  
42K1A921

**part no:** see table

general tolerance: 0 ± 0,50mm  
0,0 ± 0,25mm  
0,00 ± 0,10mm  
\* ± 5°



THIS DRAWING MAY NOT BE COPIED OR REPRODUCED IN ANY WAY, AND MAY NOT BE PASSED ON TO A THIRD PARTY WITHOUT WRITTEN PERMISSION. OWNERSHIP AND COPYRIGHT OF CONEC GmbH

# Mouser Electronics

Authorized Distributor

Click to View Pricing, Inventory, Delivery & Lifecycle Information:

[CONEC:](#)

[42-01395](#)