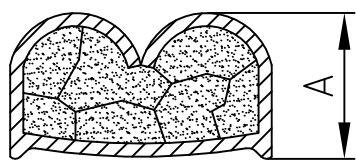
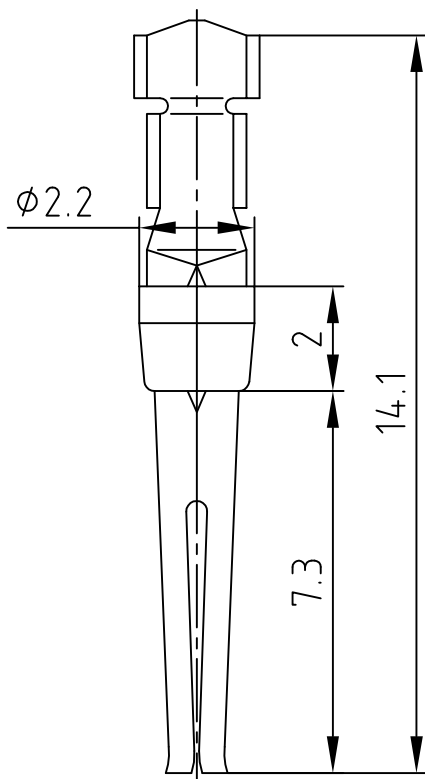


used for: D-SUB

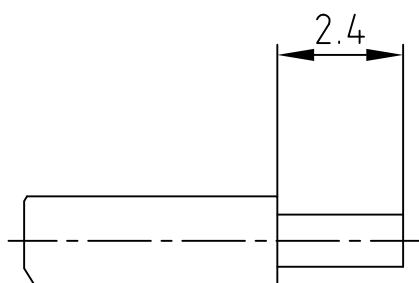


(b)

Wire size AWG	Crimp height A
28	0,61 - 0,76
26	0,66 - 0,81
24	0,66 - 0,86



STRIPPING DIMENSIONS (b)



(b) TECHNICAL DATA:

Material Stamped Contacts: Phosphor Bronze
 Finish: Gold Flash over Nickel in the Contact Area
 Temperature Range: -55°C to +125°C
 Rated Current: 7.5A
 Test Voltage: 1000V eff. at 50Hz
 Contact Resistance: <= 10mOhm
 Insulation Resistance: >= 5000MOhm
 Crimping: Use Crimp Tool 360X10079X

Directive 2002/95/EC RoHS compliant

THIS DRAWING MAY NOT BE COPIED OR REPRODUCED IN ANY WAY, AND MAY NOT BE PASSED ON TO A THIRD PARTY WITHOUT WRITTEN PERMISSION.
 OWNERSHIP AND COPYRIGHT OF CONEC GmbH
 DO NOT ALTER CAD DRAWING BY HAND

				tolerance			
				2002	date	name	
				drawn	22.02.	Parei	
				appd.	22.02.	E. Mickenbecker	
				norm			
				d-old			
3 x b	Ä 4116	27.09.2011	Lehmen.				
a	Original						
rev.	description	date	name				

scale:	5:1	
material:	SEE NOTES	
title:	SOCKET CONTACT CRIMP AWG 28-24	
dwg no:	AutoCAD 2006	DIN-A
	16K1A500	4
part no:	162A11889X	
		sh: 1/1

4

3

2

1

Mouser Electronics

Authorized Distributor

Click to View Pricing, Inventory, Delivery & Lifecycle Information:

[CONEC:](#)

[162A11889X](#)