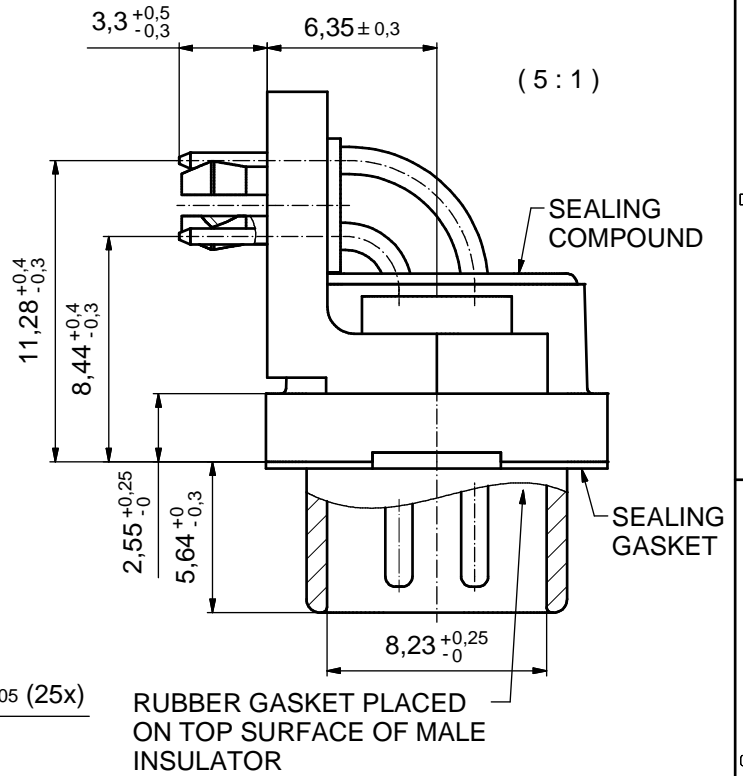
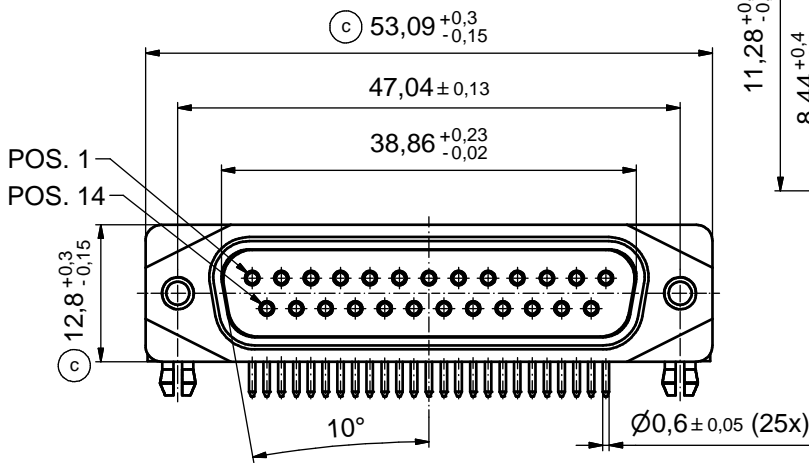
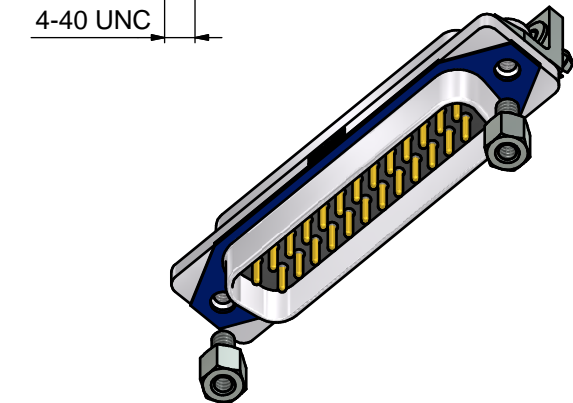
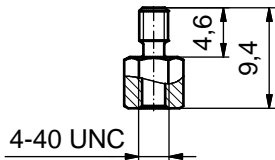
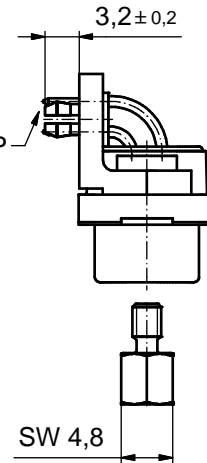
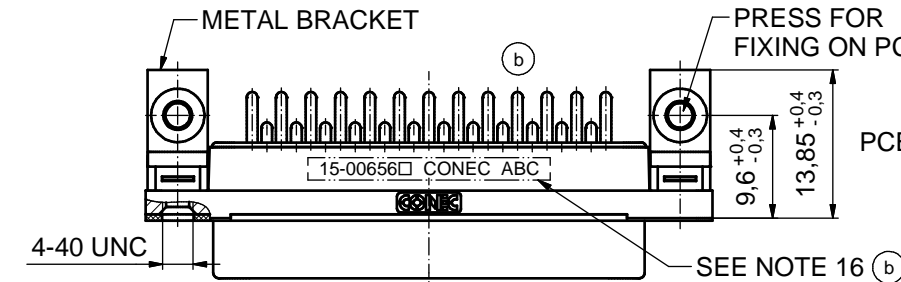


AT ALL TIMES WATER RESISTANT CONNECTORS NOT IN USE SHOULD BE COVERED WITH A CONEC WATER RESISTANT CAP OR WATER TIGHT HOOD.

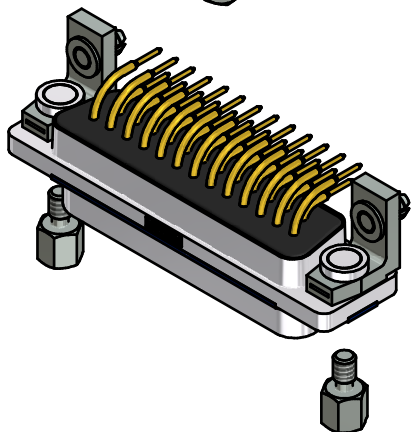


RUBBER GASKET PLACED ON TOP SURFACE OF MALE INSULATOR



NOTES:

- FOR WAVESOLDERING (SOLDER BATH TEMPERATURE 265°C FOR 8 SEC. AND SOLDER PREHEAT 150°C FOR 180 SEC.)
- IP RATING: IP 67
- SEALED TO WITHSTAND PRESSURE UP TO 1,45 PSI FOR 30 MINUTES AFTER HIGH TEMPERATURE EXPOSURE
- METALSHELL: ZINC DIE CAST; min. 50µin NICKEL PLATING over COPPER
- INSULATORS: PBT GF UL 94 V-0; BLACK
- SEALING GASKET: SILICONE; BLUE
- RUBBER GASKET: TPE; BLACK
- SEALING COMPOUND: EPOXY RESIN UL 94 V-0; BLACK
- CONTACTS: COPPER ALLOY
PLATING (SEE PART NO.): □ PLEASE ADD 1 for 30µin HARD GOLD over min. 50µin NICKEL
□ PLEASE ADD 3 for GOLD FLASH over NICKEL
- METAL BRACKETS: ZINC DIE CAST; 300µin COPPER/40-120µin NICKEL/120-200µin TIN
- WASHERS: COPPER ALLOY; 80µin NICKEL
- HEXLOCKING SCREWS: STAINLESS STEEL
- PCB-SNAPS: COPPER ALLOY; min. 200µin TIN over 80µin NICKEL
PCB-HOLE: $\varnothing 3,1 \pm 0,1$ mm; PCB THICKNESS 1,6mm
- P.C.B. HOLE DRILLINGS and RECOMMENDED PANEL CUT-OUT ON SHEET 2
- RECOMMENDED TORQUE FOR MOUNTING SCREW 35Ncm (3.1 in.LB) / max. 67Ncm (6 in.LB)
- CONNECTOR IS PART MARKED: 15-00656 □ CONEC ABC (see note 9)

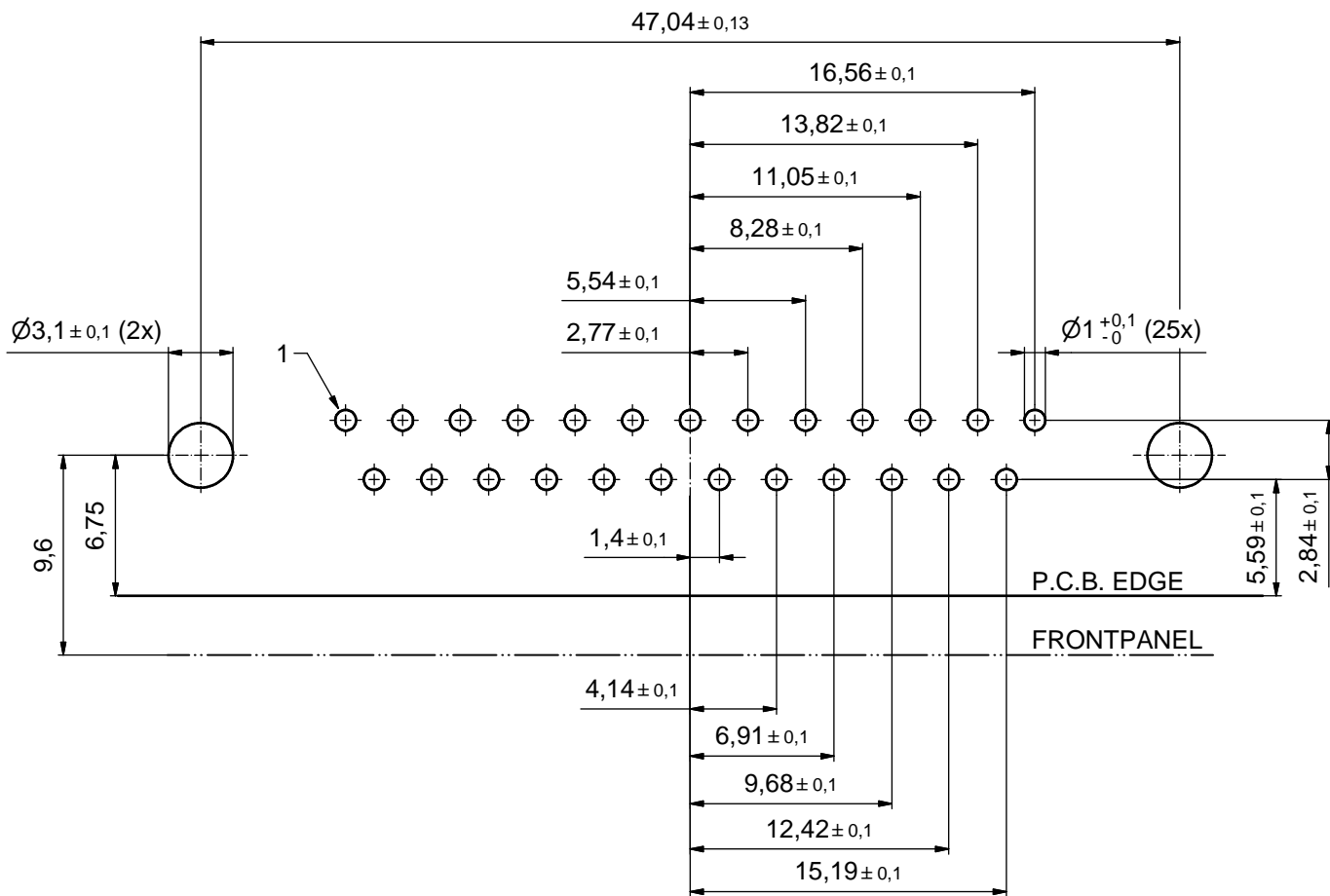


RoHS compliant

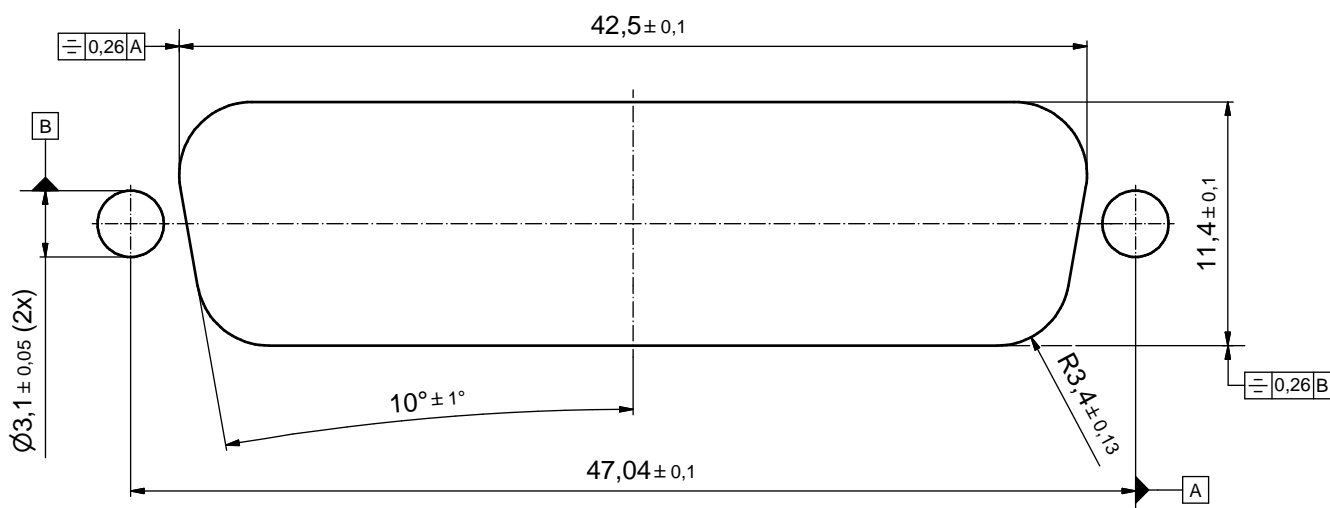
THIS DRAWING MAY NOT BE COPIED OR REPRODUCED IN ANY WAY, AND MAY NOT BE PASSED ON TO A THIRD PARTY WITHOUT WRITTEN PERMISSION. OWNERSHIP AND COPYRIGHT OF CONEC GmbH		tolerance		dim. in mm		scale: 2:1 (5:1)	
		date		name		material: SEE NOTES	
DO NOT ALTER CAD DRAWING BY HAND		drawn	19.09.14	Lehmenkühler		title: D-SUB MALE 90° 25pos. SOLDER PIN ANGLED with closed 4-40 UNC thread, metal bracket, snap	
		appd.	26.01.15	Fischer			
2 x d	Ä5827	25.09.15	Unkrüer	norm			dwg no: 15K1A1553
2 x c	Ä5800	07.09.15	M.H.	d-old			
4 x b	Ä5793	02.09.2015	K.H.			DIN-A3	
a	Original					sh: 1	
rev.	description	date	name	CONEC		part no: 15-00656 □ (see note 9)	

P.C.B. HOLE DRILLINGS

(P.C.B. TOP SIDE)



RECOMMENDED PANEL CUT-OUT



THIS DRAWING MAY NOT BE COPIED OR REPRODUCED IN ANY WAY, AND MAY NOT BE PASSED ON TO A THIRD PARTY WITHOUT WRITTEN PERMISSION. OWNERSHIP AND COPYRIGHT OF CONEC GmbH DO NOT ALTER CAD DRAWING BY HAND				tolerance		scale: 4:1
				dim. in mm		material: SEE SHEET 1
	drawn	19.09.14	Lehmenkühler	date	name	title:
	appd.	26.01.15	Fischer			P.C.B HOLE DRILLINGS
	norm					RECOMMENDED PANEL CUT-OUT
d-old					D-SUB Male 90° 25pos. Solder pin angled	
a	Original				dwg no:	DIN-A3
rev.	description	date	name	CONEC [®]		15K1A1553
						part no:

Mouser Electronics

Authorized Distributor

Click to View Pricing, Inventory, Delivery & Lifecycle Information:

[CONEC:](#)

[15-006563](#)